



# UFO-LP Series

LOW PROFILE EMERGENCY LIGHTING  
FLUORESCENT BATTERY PACKS

DATE:	LOCATION:
TYPE:	PROJECT:
CATALOG #:	

## FEATURES

- Compatible with electronic, standard magnetic, energy saving, dimming and end-of-lamp-life AC ballasts
- Easy installation in fixture ballast channel
- Can be used with switched or unswitched lighting fixture
- Test switch and LED charge indicator light supplied standard
- Maintenance-free nickel-cadmium battery
- Provides 90 minutes of emergency lighting
- Battery case made of heavy 22-gauge steel
- Dual Input 120/277 VAC, 60Hz operation



## SPECIFICATIONS

### APPLICATION

- The UFO-LP Series low-profile fluorescent emergency battery packs work in conjunction with a low-profile or standard-size electronic AC ballast to convert new or existing fluorescent fixtures into unobtrusive emergency lighting, eliminating the need to install additional emergency lighting units.
- Model UFO-LP1 can be used with one 21 - 28W standard or 24 - 54W high output T5; one 32W (4'), 40W (5') or 44W HO (4') T8 fluorescent lamp; or one 36 - 55W (4-pin) long compact fluorescent lamp.
- Model UFO-LP2 can be used with one 14 - 54W (2' - 4') standard or high output T5; 17 - 55W (2' - 5') standard or high output T8 or 36 - 55W (4-pin) long compact fluorescent lamp.
- UFO-LP Series models are also compatible with most 1, 2, 3 and 4-lamp electronic (including those containing end-of-lamp-life shutdown circuits), standard, energy saving, and dimming AC ballasts.
- For information about specific lamp and ballast compatibility, please call the factory.

### CONSTRUCTION

- All unit housings consist of a compact case constructed of 22 gauge sheet metal finished in black enamel.
- The unit contains a solid-state charger with automatic transfer circuit, test switch, LED charge indicator light, a dependable, high-frequency inverter and a high-temperature, nickel-cadmium battery.

### INSTALLATION

- UFO-LP series models do not affect normal fixture operation and may be used with either a switched or unswitched fixture.
- If a switched fixture is used, an unswitched hot lead must be connected to the emergency ballast. The emergency battery pack must be fed from the same branch circuit as the AC ballast.
- UFO-LP series models are for installation inside the fixture ballast channel.
- UFO-LP Series emergency battery packs are not suitable for installation in heated air outlet fixtures and wet or hazardous location fixtures.
- Installation is not recommended with fixtures where the ambient temperature may fall below 0°C (32°F).

### OPERATION

- When AC power fails, UFO-LP Series models immediately switch to the emergency mode operating one lamp at high lumen output, (UFO-LP2), or reduced lumen output (UFO-LP1) for a minimum of 90 minutes.
- When AC power is restored, the emergency battery pack automatically returns to the charging mode and delays AC ballast operation for three seconds to prevent false-tripping of AC ballast (end-of-lamp-life) shutdown circuits. UFO-LP Series models use a patented circuit to perform this AC ballast delay function.

### ILLUMINATION

- Initial emergency lighting output is 390 -700 lumens on UFO-LP1. Initial emergency lighting output is 600 - 1325 lumens on UFO-LP2.
- During emergency operation, one lamp is illuminated, even if installed with a multi-lamp AC ballast.

### COMPLIANCES

- UL 924 Damp Location Listed
- NFPA 101 (Life Safety Code)
- NFPA 70 (National Electric Code)

### WARRANTY

- 5 Year Full Warranty



# UFO-LP Series

LOW PROFILE EMERGENCY LIGHTING  
FLUORESCENT BATTERY PACKS

DATE: \_\_\_\_\_ LOCATION: \_\_\_\_\_

TYPE: \_\_\_\_\_ PROJECT: \_\_\_\_\_

CATALOG #: \_\_\_\_\_

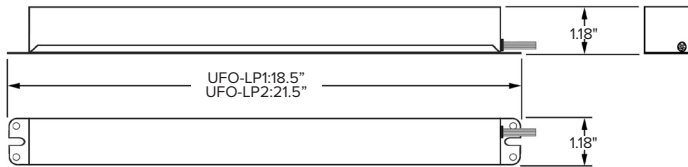
## ORDERING GUIDE

Example: UFO-LP1

CATALOG # \_\_\_\_\_

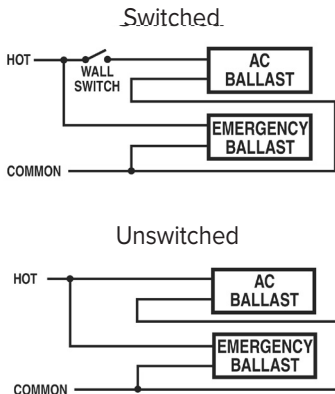
UFO	Lumen Range	Accessories (Order Separately)	Notes:
<b>Model</b>			
UFO Low Profile Emergency Lighting Fluorescent Battery Packs	<b>LP1</b> 390-700 Lumens  <b>LP2</b> 600-1325 Lumens	<b>SPRTS</b> Remote test switch/charge indicator module <sup>1</sup>	1 Fits single-gang box.

## DIMENSIONS



### Dimensions:

UFO-LP1: 18.5" (47cm)L by 1.18" (3cm)W by 1.18" (3cm)H  
 UFO-LP2: 21.5" (54.6cm) by 1.18" (3cm)W by 1.18" (3cm)H



Primary circuit only. Lamp heads not shown.

## LAMP COMPATIBILITY CHART

CATALOG NUMBER	INPUT WATTAGE	LAMP TYPE	LAMP EXAMPLES	1 LAMP LUMENS
UFO-LP1	2.6	T5	FP54, F54T5/HO	700
			FP39, F39T5/HO	620
			FP24, F24T5/HO	390
			FP28, F28T5	700
			FP21, F21T5	620
		T8	F32T8, (4')	635
			F40T8 (5')	570
			F40T8/HO (4', 44W)	470
			PL-L 50W, F50BX/RS, Dulux L 55W	510
			PL-L 40W, F40/30BX, Dulux L 40W	625
UFO-LP2	3.0	T5	FP54, F54T5/HO	1250
			FP39, F39T5/HO	1125
			FP24, F24T5/HO	725
			FP28, F28T5	1250
			FP21, F21T5	1025
		T8	FP14, F14T5	750
			FP17T8	650
			FP25T8	750
			F32T8, (4')	1100
			F40T8 (5')	1325
Long CFL 4-pin	F40T8/HO (4', 44W)	1275		
	PL-L 50W, F50BX/RS, FT55DL	1050		
	PL-L 40W, F40/30BX, FT40DL/RS	925		
	PL-L 36W, F39/36BX, FT36DL	900		

## OPERATING TEMPERATURE RANGE

32°F to 122°F (0° to 50°C)

## WEIGHT

UFO-LP1 - 2.3 lbs (1.0 kg)

UFO-LP2 - 3.3 lbs (1.5 kg)