



PGN Series

ARCHITECTURAL LED SCNCE

DATE:	LOCATION:
TYPE:	PROJECT:
CATALOG #:	

FEATURES

- Neutral white, 4000K LEDs
- Design optimizes wide area illumination patterns
- No heads to aim, no adjustments to make
- Standard electrical box and conduit entry provisions
- 90-minute emergency operation from external 6–12V DC source
- Fast, easy installation
- Field installable full cut-off shield

PG Series



SPECIFICATIONS

APPLICATION

- The PGN is an indoor or outdoor architectural high performance LED sconce which offers “Normally On” and emergency operation in one fixture
- “Normally On” operation is powered by line voltage (120 or 277) that can be switched on/off and used for accent lighting, entrance/exit illumination
- Failure of line voltage will result in automatic operation from secondary DC voltage which must be supplied from an external 6–12V DC emergency lighting unit
- The PGN includes a field installable full cut-off shield to address “dark sky” compliant requirements

CONSTRUCTION

- Housing and mounting plate are constructed of 1/8" die-cast aluminum
- Mounting plate also includes a 1/8" closed-cell silicone gasket for watertight seal

CONSTRUCTION (CONTINUED)

- The acrylic lens allows 92% light transmission
- The reflector is electro-polished aluminum with 95% reflectance
- Housing finish is powder coated electro-deposition paint available in four colors: dark bronze, white, platinum silver and black
- Full cut-off shield constructed of cold-rolled steel, painted to match color as ordered

INSTALLATION

- Universal backplate knockouts for mounting to standard 3-1/2", 4" octagonal and 4" square electrical boxes
- Backplate mounting is performed using installer supplied hardware
- An adhesive-backed neoprene gasket is provided to ensure a waterproof seal
- A 1/2"–1/4 NPT threaded conduit opening is provided at the top of the enclosure and sealed with a closure plug

INSTALLATION (CONTINUED)

- The housing “snaps” to the back plate by a “pin and socket” arrangement, and is secured with two #8-32 screws

ILLUMINATION

- The unit is illuminated by 4 high power LEDs arranged so that in the event of 1 or 2 LED failures, the unit will continue to operate.

COMPLIANCES

- UL 924 Listed
- UL Wet Location Listed
- NFPA 101 Life Safety Code
- NFPA 70 National Electrical Code
- OSHA
- IES full cut-off compliant with application of field installed shield
- U.S. Patent No. D627,916

WARRANTY

- 3 Years Full

ORDERING GUIDE

Example: PGNW

CATALOG #

PGN			
Model		Finish	
PGN	Architectural LED Sconce	W	White
		Z	Dark Bronze
		P	Platinum Silver
		B	Black



PGN Series

ARCHITECTURAL LED SCONCE

DATE: _____ LOCATION: _____

TYPE: _____ PROJECT: _____

CATALOG #: _____

ELECTRONICS

The PGN has two modes of operation:

Normal mode: In normal mode, power is supplied from 120V or 277V AC source and may be switched on/off allowing the unit to behave like a typical luminaire.

Emergency mode: Upon failure of normal utility power, an external (6-12VDC) emergency power source having transfer logic is required to operate the PGN as an emergency unit (supplied separately). In order for the unit to function properly as emergency lighting (NEC 700.12), the DC emergency source must be powered (under normal conditions) from the same AC circuit as that to the unit.

Number of Lamps: Four high output LEDs

Lamp Configuration: 4 individually driven LEDs provide illumination. In the event of 1 or 2 LED failures, the remaining LEDs will continue to function

Lamp Type: Solid state high output LEDs

Lamp Color: Neutral White, 4000K

Color Rendering Index (CRI): 75

Total Lamp Output: 445 Lumens min. initial

Input: 120/277VAC, 60 Hz. "Normal"
6-12VDC "Emergency"

Battery Charger: Temperature compensating, constant current

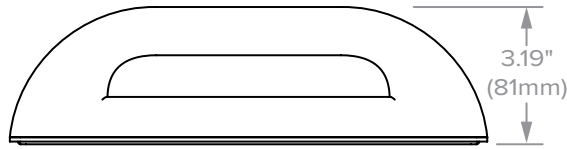
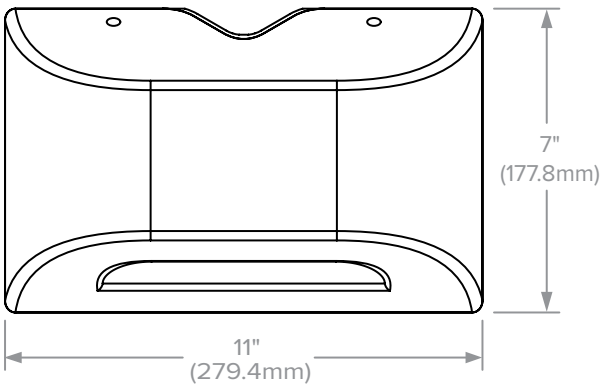
Transfer: Solid state

Functional Circuitry: Transient surge protection

Operating Temperature Range: -30°C to 50°C (-22°F to 122°F)

Weight: 5.6 lbs (2.54 kg)

DIMENSIONS



ILLUMINATION PATTERN

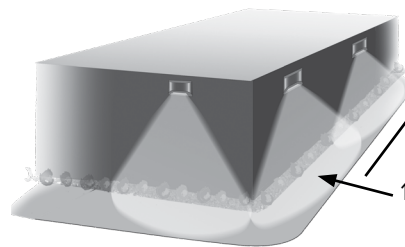
SINGLE UNIT COVERAGE



Mounting Height: 9'
Outdoor Reflectance: 0/30/10
Indoor Reflectance: 80/50/20

	Indoor	Outdoor
1 FC Average (W x D)	35' X 10'	29' X 10'
1 FC Minimum (W x D)	11' X 10'	10' X 10'

MULTIPLE UNIT SPACING



Mounting Height: 9'
Illuminated Path Depth: 6'
Outdoor Reflectance: 30/10
Indoor Reflectance: 80/50/20

	Indoor	Outdoor
1 FC Average	49'	37'
1 FC Minimum	19'	16'

POWER CONSUMPTION

PGN	Normal		Emergency	
	120VAC	17 Watts	6VDC	12 Watts
	277VAC	17 Watts	12VDC	13 Watts

Power factor, average: 0.8 (lagging)