



New Construction FT6QLIC

6" Fire Resistant, AirShield
LED Recessed Downlight
IC Rated
120V

DATE: _____ TYPE: _____

FIRM NAME: _____

PROJECT: _____



Aperture: Nominal 6"
Ceiling Cutout: 6⁷/₈"
Maximum Ceiling Thickness: 2"
For conversion to millimeters,
multiply inches by 25.4
Weight: 14 lbs.
Not to Scale

APPLICATIONS:

The FT6QLIC housing is specifically designed for use in fire rated assemblies in conjunction with the 6" LiteBox LED trim. Suitable for applications where relamping is limited to high efficacy requirements such as California Title 24. Suitable for new construction, whether or not insulation is present, including residential applications in a single story home or on the second level of a two story home; or commercial applications in spaces such as offices, single story retail, and hospitality environments.

AIR TIGHT REQUIREMENTS:

The FT6QLIC is AirShield™ rated in compliance with ASTM E283 and the Washington State Energy Code (W.S.E.C.).

INSTALLATION:

Bar hangers with integral T-Bar mounting clips and nail tab for wood joist construction. Accommodates up to 24" on center ceiling joists. Shipped with four clips for installation to furring channels.

HOUSING:

Galvanized steel outer housing with full wrap-around galvanized steel plaster frame. Housing adjusts from 1/2" to 2" for thick ceilings. Notched mounting frame for easy alignment. Six pieces of UL classified fire resistant gypsum board attached to housing. Fiberglass gasket on bottom of frame to minimize heat transfer into ceiling cavity.

Housing includes knock-out free integral Romex clamps, overspray protection, universal J-box with snap-out sides, 1/2" and 3/4" knock outs for rigid conduit or BX fittings, thermal protector, and a grounding pigtail. Rated for (8) #12 90° conductors (4 in/4 out). Access door in housing for field inspection of wiring.

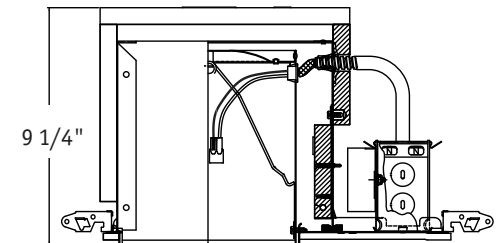
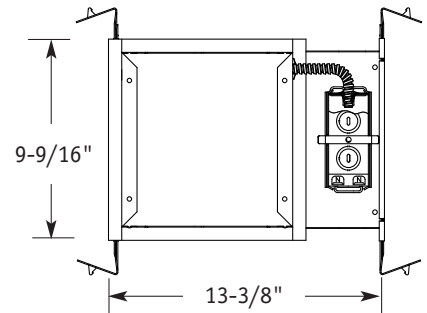
LED MODULE INSTALLATION:

QuickLink LED housing easily connects to mating QuickLink connector on the LiteBox LB6LEDA module without a screw base adapter preventing the use of low efficacy incandescent sources.

LABELS:

IC rated. Wet location listed when used with LiteBox LED module. AirShield™ rated. Inherently thermally protected. STC rated to maintain sound ratings.

UL Classified to maintain fire rating up to 1 hour for all UL P200 and P500 series fire rated roof/ceiling assemblies; UL classified to maintain fire rating up to 2 hours on all UL D200, G200, L200, D500, G500, and L500 series fire rated floor/ceiling assemblies.



US Patent Nos. 6,357,891;
5,758,959; 6,004,011

CATALOG NUMBER: _____

EXAMPLE: FT6QLIC-LB6LEDA10L30K WH

HOUSING	TRIMS	LED COLOR TEMP	CRI	TRIM COLOR	ACCESSORIES
<input type="checkbox"/> FT6QLIC¹ 6" FireTight rated IC LED housing for fire-rated new constructions	<input type="checkbox"/> LB6LEDA7L⁴ 6" 700 Lumen LED module with dimming to 15%	<input type="checkbox"/> 30K 3000 Kelvin <input type="checkbox"/> 35K² 3500 Kelvin	<input type="checkbox"/> Blank 80+ CRI <input type="checkbox"/> 9 90+ CRI	<input type="checkbox"/> WH White <input type="checkbox"/> BL² Black <input type="checkbox"/> Z² Zet <input type="checkbox"/> BZ² Bronze	<input type="checkbox"/> LiteGear³ Inverter, single phase central lighting, 125VA-250VA <input type="checkbox"/> LPS Series⁴ LitePower micro-inverter, 20VA-55VA



¹FT6QLIC must be used with LB6LEDA series trims. Refer to LB6LEDA spec sheet for details
²Not available for LB6LEDA7L
³See www.dual-lite.com/products/litegear_lg_series for details.
⁴See www.dual-lite.com/products/lps for details.

In a continuing effort to offer the best product possible we reserve the right to change, without notice, specifications or materials that in our opinion will not alter the function of the product.

Web: www.prescolite.com • Tech Support: (888) 777-4832

701 Millennium Blvd., Greenville, SC 29607 U.S.A. • Phone (864) 678-1000

Prescolite is a division of Hubbell Lighting, Inc., with representatives' offices throughout North America

Copyright ©2017 Prescolite, All Rights Reserved • Specifications subject to change without notice. • FTLED-006 • 3/1/17 • Printed in U.S.A.



FT-LED-006