

FEATURES

- Heavy duty channel with longitudinal reinforcing ribs for added rigidity and easy slide clamp hanging
- Rotary lock lampholders for positive lamp contact
- Channel ends double as joiners
- Individual or row mounting. Surface or suspended
- ¼ turn fasteners retain the ballast cover for quick and easy installation

PROJECT INFORMATION

Project Name _____

Type _____

Catalog No. _____

Date _____

CONSTRUCTION

Heavy steel housing with longitudinal reinforcing ribs for extra strength.

FINISH

White painted parts are treated with a five stage phosphate bonding process and finished with a high reflectance baked enamel.

BALLASTS

Energy efficient, thermally protected, automatic resetting, Class P, high power factor, sound-rated A, unless otherwise specified, CEE NEMA premium compliant.

ELECTRICAL

Standard class "P" type protected, air-circuiting HPF ballast, Class A. CEE NEMA premium compliant. Ballast life extends a minimum of three years. NEC/CEC compliant ballast design standard.

RETIRED

UL Luminaires comply to UL 1598 standards and bear appropriate ETL and cUL or cETL labels. Damp location labeling is standard. Emergency-equipped fixtures labeled UL 924.

ORDERING INFORMATION

EXAMPLE K4-232-EU

K		-		2					
MODEL	SIZE	NO. OF LAMPS	NO. OF BALLASTS	LAMP TYPE	BALLAST	VOLTAGE	OPTIONS		
K Heavy Duty Channel	4' 4' 8' 8'	2	2	4', T8: 32, 30 or 25 Watt	E Electronic T8, Instant Start 3E 3-Lamp Electronic T8, Instant Start 4E 4-Lamp Electronic T8, Instant Start	U 120V-277V 347 347V	GLR Fast Blow Fuse GMF Slow Blow Fuse EL Emergency Battery Pack BC Branch Circuit Plug-on Wiring System (See options section for details.) FHEC Full Height End Channels PAF Paint After Fabrication NYC NYC Compliant NYCU NYC Compliant, Union Label		
ACCESSORIES (ORDER SEPARATELY) ITB4 Hanger for close mounting on a T-Bar Ceiling KZT Zip Tee Hanger - 1½" spacer on tee bar ceiling KTH Slide Clamp Tong Hanger CSWG4 4' Wire Guard, 2 required for 8' fixture CSRA4 4' Asymmetric Reflector CSR4 4' Symmetric Reflector									

PHOTOMETRIC DATA

LUMINAIRE DATA

Luminaire	K4-240-LE K Striplight 4' Pendant Mount Premium Striplight w/White Reflector
Ballast	R-2540
Ballast Factor	0.95
Lamp	F40T12
Lumens per Lamp	3150
Watts	85
Shielding Angle	N/A
Spacing Criterion	0° = 1.25 90° = 1.58
Luminous Opening in Feet	Length: 4.00 Width: 0.35 Height: 0.00

ZONAL LUMEN SUMMARY

Zone	Lumens	% Lamp	% Fixt.
0-30	908	14.4	15.6
0-40	1547	24.6	26.6
0-60	3024	48.0	52.0
0-90	4650	73.8	80.0
90-120	831	13.2	14.3
90-130	990	15.7	17.0
90-150	1142	18.1	19.6
90-180	1164	18.5	20.0
0-180	5813	92.3	100.0

Test 11316 Test Date 1/8/03

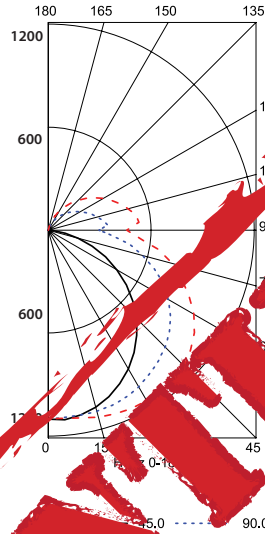
ENERGY DATA

Total Luminaire Efficiency	92.3%
Luminaire Efficacy Rating (LER)	65
IESNA RP-1-1993 Coefficient of Utilization	Non-Compliant
Comparative Yearly Lighting Energy Cost (1000 Lumens)	\$3.69 based on 3000 hrs. and \$0.08 per KWH

COEFFICIENTS OF UTILIZATION (%)

RC	RW	80				70				50				0
		70	50	30	10	70	50	30	10	50	30	10	0	
1	94	88	83	79	89	84	80	76	77	73	70	56		
2	84	75	68	62	80	72	65	60	65	60	55	44		
3	76	65	57	50	72	62	54	48	57	50	45	36		
4	69	57	48	41	65	54	46	40	50	43	38	30		
5	63	50	42	35	60	48	40	34	44	37	32	25		
6	58	45	36	30	55	43	35	29	40	33	27	22		
7	53	40	32	26	51	39	31	25	36	29	24	19		
8	50	37	29	23	47	35	28	22	32	26	21	17		
9	46	33	26	20	44	32	25	20	30	23	19	15		
10	43	31	23	18	41	30	23	18	27	21	17	13		

INDOOR CANDELA PLOT



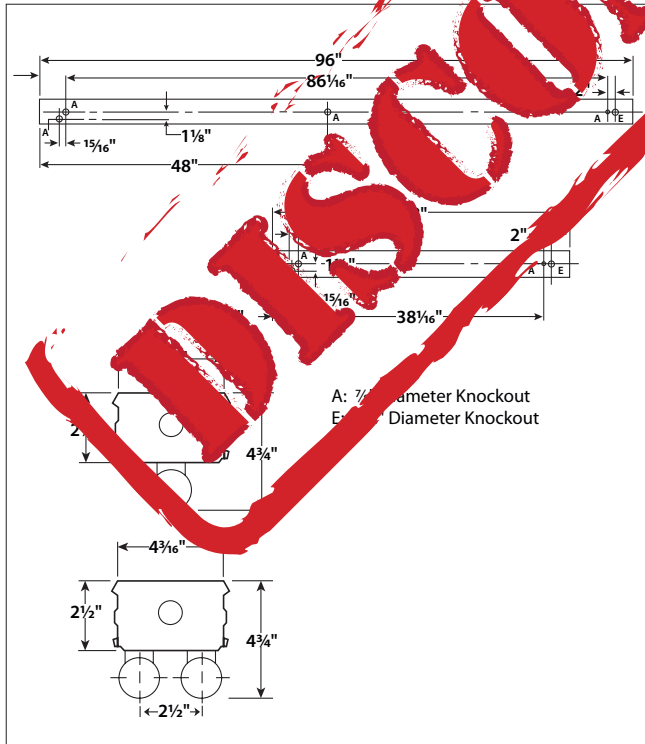
AVG. LUMINANCE (fc/Sq. Ft.)

Average Luminaire Angle	0°	15°	30°	45°	60°	75°	90°
0°	67.5	84.5	84.5	84.5	84.5	84.5	84.5
15°	84.5	101.5	101.5	101.5	101.5	101.5	101.5
30°	101.5	117.5	117.5	117.5	117.5	117.5	117.5
45°	117.5	129.2	129.2	129.2	129.2	129.2	129.2
60°	129.2	139.2	139.2	139.2	139.2	139.2	139.2
75°	139.2	150.9	150.9	150.9	150.9	150.9	150.9
90°	150.9	164.4	164.4	164.4	164.4	164.4	164.4
105°	164.4	185.4	185.4	185.4	185.4	185.4	185.4
120°	185.4	207.9	207.9	207.9	207.9	207.9	207.9
135°	207.9	229.7	229.7	229.7	229.7	229.7	229.7
150°	229.7	249.2	249.2	249.2	249.2	249.2	249.2
165°	249.2	267.5	267.5	267.5	267.5	267.5	267.5
180°	267.5	284.9	284.9	284.9	284.9	284.9	284.9

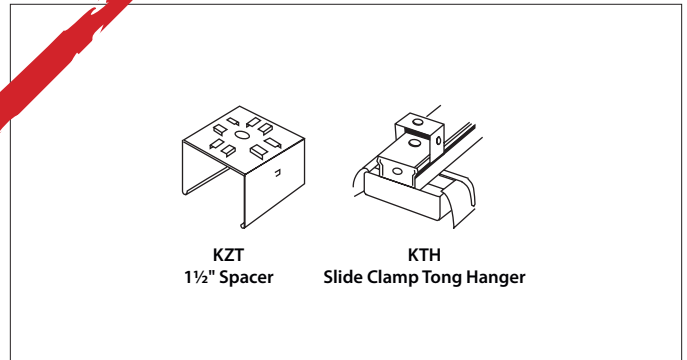
RCR = Room Cavity Ratio

RC = Effective Ceiling Cavity Reflectance RW = Wall Reflectance

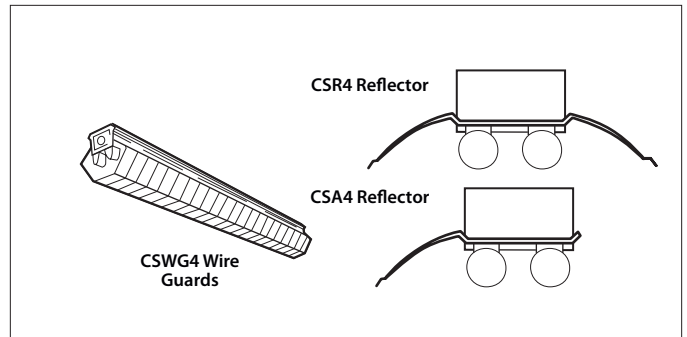
DIMENSIONAL DATA



MOUNTING ACCESSORIES



ACCESSORIES



NOTE: All dimensions are in inches; dimensions and specifications are subject to change without notice. Please consult factory or check sample for verification.