

BNB1-LED-KIT

BOUNCE BOLLARD/LED REPLACEMENT KIT

Type:
Job:
Catalog number:

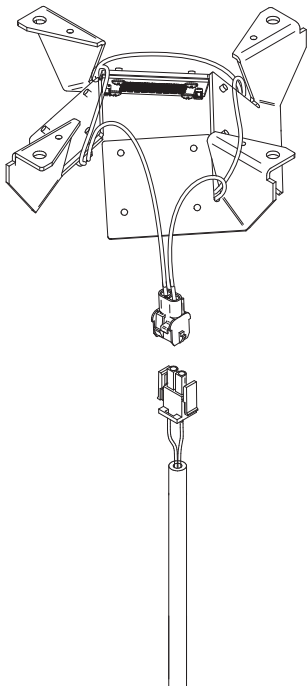
Approvals:

Date:

____ / ____ / ____ / **UV**
 Fixture Source Color Temp. Voltage

Specifications

BNB1-LED-KIT
 18-36 Diodes



Electronic Module: All electrical components are either UL or ETL recognized, mounted on a single plate and factory prewired with quick disconnect plugs. Driver is rated for -40°F starting and has a 0-10V dimming interface for multi-level illumination options.

Optical Module: Factory mounted to a rigid harness attached to the anchor base. A total of 27 mid power LED emitters configured in a rectangular array comprised together as a module. Two (2) modules for Type I version; three (3) modules for Type III version; and four (4) modules for Type V version. Available in Amber 595nm, 3000K, 4000K and 5000K color temperatures.

IMPORTANT: Disable all power to the luminaire before conducting any maintenance or replacement activity. Failure to do so will create a hazardous working environment.

CAUTION: Fixtures must be grounded in accordance with national, state and/or local codes. Failure to do so may result in serious personal injury.

Fixture

Cat. No. designates fixture and distribution

xxx-LED-KIT

Replacement Kit:
 BNB1-LED-KIT

xL

Source:
18L = 18 LED
 (IES Type I)
27L = 27 LED
 (IES Type III)
36L = 36 LED
 (IES Type V)

xK

Color Temperature:
580nm = Amber
3K = 3000K
4K = 4000K
5K = 5000K

UV

Voltage:
UV
 Universal
 Voltage shall
 range from
 120V-277V

FIXTURE	TOTAL SYSTEM WATTS	VOLT	OPERATING AMPS
BNB1-LED1-KIT/18L	21	120 / 208 / 240 / 277	.18 / .10 / .09 / .08
BNB1-LED1-KIT/27L	31	120 / 208 / 240 / 277	.26 / .15 / .13 / .11
BNB1-LED1-KIT/36L	41	120 / 208 / 240 / 277	.34 / .20 / .17 / .15