

SRSP2

DECORATIVE AND POST TOP

Solitaire®



FEATURES

- TiR Optics
- Patented low profile luminaire
- Available in 580nm, 3000K, 4000K and 5000K standard CCT
- Type 1, 2, 3, 4W, 5QM, 5W distributions
- 0 - 10V dimming drivers standard
- IP66 optic assembly



RELATED PRODUCTS

Intent KFL LTV8

SPECIFICATIONS

CONSTRUCTION

- One piece non die-cast housing, low copper (<0.6% Cu) Aluminum Alloy with integral cooling ribs over the optical chamber and electrical compartment
- All hardware is stainless steel or electro-zinc plated steel
- Finish: fade and abrasion resistant, electrostatically applied, thermally cured, triglycidal isocyanurate (TGIC) polyester powdercoat
- One-piece die-cast, low copper (<0.6% Cu) aluminum alloy lens frame.
- Silicone gaskets seal the compartments at the barrier surface.

INSTALLATION

- Fixtures must be grounded in accordance with national, state and/or local electrical codes. Failure to do so may result in serious personal injury

OPTICS

- Optical cartridge system consisting of a die cast heat sink, LED engine, TIR optics, gasket and bezel plate
- Cartridge is easily disassembled to replace components. Optics are held in place without the use of adhesives
- Molded silicone gasket ensures a weatherproof seal around each individual LED

OPTICS (CONTINUED)

- Features revolutionary individual LED optical control based on high performance TIR optical designs
- Clear Acrylic lens is standard
- Optional BackLight Control for complete control of unwanted backlight
- IP66 Optical assembly
- Type 1, 2, 3, 4W, 5QM, and 5W standard distributions. Custom available
- Amber, 3000K, 4000K, 5000K standard CCT. Custom available
- Die-cast, low copper aluminum heat sink modules provide thermal transfer at PCB level
- Anodized aluminum heat sink modules

ELECTRICAL

- Dimming range from 10% to 100% through the use of standard 0-10V interface on the programmable driver
- Modular wiring harness in the service area provides user access to the dimming circuitry
- Optional factory programmed dimming profile
- Surge protection: 10kV surge suppression
- SF for 120, 277, 347 Line volts
DF for 208, 240, 480 Line volts
- Wiring: 14GA wires rated 150°C

CONTROLS

- Optional PC 7 Pin Receptacle 7-pin construction allows for a user-defined interface and provides a controlled definition of operational performance. ANSI twist-lock control module by-others
- Button Photocell
- Consult factory for additional sensors.

CERTIFICATIONS AND LISTINGS

- Listed to UL1598 and CSA C22.2#250.0-24 for wet locations
- RoHS compliant

WARRANTY

- 5 year warranty

KEY DATA	
Lumen Range	3155–15616
Wattage Range	58.31–135.6
Efficacy Range (LPW)	49.9–124.8
Reported Life (Hours)	L70/60,000
Weight	45 lbs / 20.41 kg
EPS Front View / Side View	1.5

SRSP2

DECORATIVE AND POST TOP

ORDERING GUIDE

Example: SRSP2-72L-600-3K7-3-CP-UNV-BL-PC- 16

CATALOG #

Solitaire											
Housing	Mounting	Engine		CCT/CRI		Distribution		Lens			
SRSP2 Solitaire 2.0	PT	Post Top		72L-260	72L - 260mA-6000lm	AM	Amber-595nm Peak ¹	1	Type I	CP	Clear Lexan
	FM	Flush Mount, for use with pole diameters from 3.375" through 5"		72L-400	72L - 400mA-9000lm	3K7	3000K, 70 CRI	2	Type II	WA	White Acrylic ²
				72L-600	72L - 600mA-14000lm	4K7	4000K, 70 CRI	3	Type III		
						5K7	5000K, 70 CRI	4W	Type IV Wide		
				5QM	Type V Square Medium						
						5W	Type V Wide (Round)				

Voltage		Fixture Finish		Option		Pole Height	
UNV	120-277V	BLS	Black Gloss	7PR	7-pin Receptacle	8	8'
347	347V		Smooth		BC		Backlight Control
480	480V	BLT	Black Matte	PC	Button Photocell	12	12'
			Textured		SF		Single Fuse for 120, 277, 347 Line volts
		DBS	Dark Bronze Gloss	DF	Double Fuse for 208, 240, 480 Line volts	16	16'
			Smooth				20
		DBT	Dark Bronze Matte				
			Textured				
		GTT	Graphite Matte				
			Textured				
		LGS	Light Grey Gloss				
			Smooth				
		LGT	Light Grey Matte				
			Textured				
		PSS	Platinum Silver Gloss				
			Smooth				
		VGT	Verde Green Matte				
			Textured				
		WHS	White Gloss				
			Smooth				
		WHT	White Matte				
			Textured				
		Color Option					
		CC ³	Custom Color				

Notes:

- 1 Turtle friendly
- 2 Only available with Type 3 and Type 5 Distributions
- 3 Consult factory for custom color, marine and corrosive finish options

SRSP2

DECORATIVE AND POST TOP

PRODUCT EXCEPTIONS & DETAILS (CONTINUED)

CONTROLS

7PR

- Fully gasketed and wired 7-pin receptacle option. Easy access location above the electrical compartment. 7-pin construction allows for a user-defined interface and provides a controlled definition of operational performance. ANSI twist-lock control module by-others.
- Standard customer operation modes:
 1. Traditional on/off photoelectric control.
 2. 5-pin wireless photoelectric control for added dimming feature.
 3. 7-pin wireless photoelectric control for dimming and additional I/O connections for customer use.

DIMMING:

- Dimming range from 100% to 10% through the use of the standard 0-10V interface on the programmable driver.
- Modular wiring harness in the service area provides user access to the dimming circuitry.
- Dimming circuitry compatible with 0-10V, user-defined control devices.
- Optional factory programmed dimming profile.

ASTRODIM

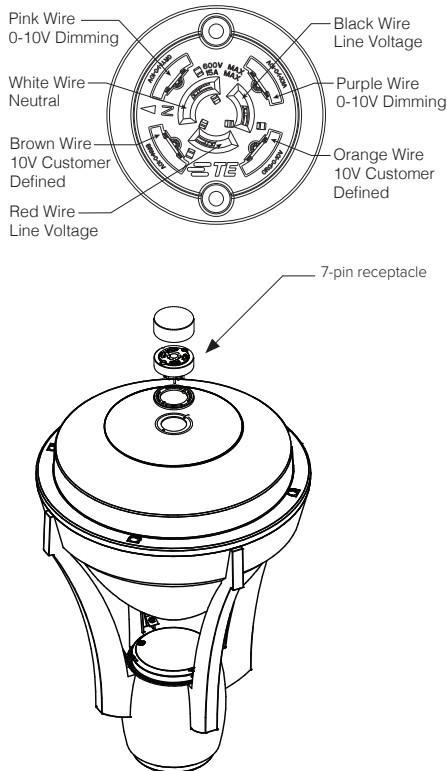
- AstroDIM provides multi-stage night-time power reduction based on an internal timer referenced to the power on/off time. There is no need for an external control infrastructure. The unit automatically performs a dimming profile based on the predefined scheduled reference to the midpoint, which is calculated based on the power on/off times. Please contact factory for feasibility.

OPTIONAL FUSING:

- SF for 120, 277, and 347 Line volts
- DF for 208, 240, and 480 Line volts
- High temperature fuse holders factory installed inside the fixture housing.
- Fuse is included.

CAUTION:

- Fixtures must be grounded in accordance with national, state and/or local electrical codes. Failure to do so may result in serious personal injury.



SRSP2

DECORATIVE AND POST TOP

DELIVERED LUMENS

STANDARD CLEAR ACRYLIC LENS

LED #	Nominal Lumen Package	Drive Current	Distribution	3000K 70CRI					4000K 70CRI					5000K 70CRI				
				Lumen	BUG Rating			lm/w	Lumen	BUG Rating			lm/w	Lumen	BUG Rating			lm/w
					B	U	G			B	U	G			B	U	G	
72L	6,000	260	FR	6313	1	3	1	108.3	6487	1	3	1	111.2	7271	1	3	1	124.7
			FR-BC	3851	0	3	1	66.0	3957	0	3	1	67.9	4436	0	3	1	76.1
			2	6089	1	3	1	104.4	6256	1	3	1	107.3	7013	1	3	1	120.3
			2-BC	3221	0	3	1	55.2	3310	0	3	1	56.8	3710	0	3	1	63.6
			3	6206	1	3	2	106.4	6378	1	3	2	109.4	7149	1	3	2	122.6
			3-BC	3155	0	3	1	54.1	3242	0	3	1	55.6	3634	0	3	1	62.3
			4W	5812	1	3	2	99.7	5972	1	3	2	102.4	6694	1	3	2	114.8
			4W-BC	3314	0	3	1	56.8	3405	0	3	1	58.4	3817	0	3	1	65.5
			5QM	6148	2	3	1	105.4	6318	2	3	1	108.4	7082	2	3	1	121.5
	5W	6320	3	3	1	108.4	6494	3	3	1	111.4	7279	3	3	1	124.8		
	FR	9284	1	3	2	101.5	9540	1	3	2	104.3	10694	2	4	2	116.9		
	FR-BC	5664	1	3	1	61.9	5820	1	3	1	63.6	6524	1	3	1	71.3		
	2	8954	2	3	2	97.9	9201	2	3	2	100.6	10314	2	3	2	112.8		
	2-BC	4737	0	3	1	51.8	4867	1	3	1	53.2	5456	1	3	1	59.7		
	3	9128	2	3	2	99.8	9379	2	3	2	102.6	10514	2	3	2	115.0		
	3-BC	4640	0	3	1	50.7	4768	0	3	1	52.1	5344	1	3	1	58.4		
	4W	8547	1	3	2	93.5	8783	1	3	2	96.0	9845	2	3	2	107.7		
	4W-BC	4873	1	3	2	53.3	5008	1	3	2	54.8	5613	1	3	2	61.4		
	5QM	9042	3	3	1	98.9	9292	3	3	1	101.6	10415	3	3	1	113.9		
	5W	9294	3	3	2	101.6	9551	3	3	2	104.4	10706	3	3	2	117.1		
	FR	13541	2	4	2	99.8	13915	2	4	2	102.6	15598	2	4	2	114.8		
	FR-BC	8261	1	3	2	60.9	8489	1	3	2	62.6	9516	1	3	2	70.3		
	2	13061	2	3	2	96.3	13421	2	3	2	99.0	15044	2	3	2	110.8		
	2-BC	6909	1	3	1	50.9	7099	1	3	1	52.3	7958	1	3	1	58.8		
	3	13314	2	3	2	98.3	13681	2	3	2	100.9	15336	2	3	2	112.4		
	3-BC	6768	1	3	2	49.9	6954	1	3	2	51.3	7796	1	3	2	57.6		
	4W	12467	2	3	3	91.9	12811	2	3	3	94.5	14360	2	3	3	105.8		
	4W-BC	7108	1	3	2	52.4	7304	1	3	2	53.9	8188	1	3	2	60.6		
	5QM	13189	3	3	2	97.3	13553	3	3	2	99.9	15192	4	3	2	112.0		
	5W	13557	4	3	2	100.0	13931	4	3	2	102.7	15616	4	3	2	115.1		

CRI Lumen Multiplier		
CCT	80 CRI	90 CRI
3000K	0.9119	0.7033
4000K	0.8941	N/A

Amber	
CCT	Multiplier
5000K	1
AM	0.1727

2700K Multiplier	
CCT	Multiplier
5000K	1
2700K	0.897

SRSP2

DECORATIVE AND POST TOP

DELIVERED LUMENS (CONTINUED)

CP (CLEAR POLYCARBONATE) LENS

LED #	Nominal Lumen Package	Drive Current	Distribution	3000K 70CRI					4000K 70CRI					5000K 70CRI				
				Lumen	BUG Rating			lm/w	Lumen	BUG Rating			lm/w	Lumen	BUG Rating			lm/w
					B	U	G			B	U	G			B	U	G	
72L	6,000	260	FR	5819	1	3	1	99.8	5979	1	3	1	102.5	6703	1	3	1	114.9
			FR-BC	3550	0	3	1	60.9	3648	0	3	1	62.6	4089	0	3	1	70.1
			2	5612	1	3	1	96.3	5767	1	3	1	98.9	6465	1	3	1	110.9
			2-BC	2969	0	3	1	50.9	3051	0	3	1	52.3	3420	0	3	1	58.6
			3	5721	1	3	1	98.1	5879	1	3	1	100.8	6590	1	3	2	113.0
			3-BC	2908	0	3	1	49.9	2988	0	3	1	51.3	3350	0	3	1	57.4
			4W	5357	1	3	2	91.9	5505	1	3	2	94.4	6171	1	3	2	105.8
			4W-BC	3055	0	3	1	52.4	3139	0	3	1	53.8	3518	0	3	1	60.3
			5QM	5668	2	3	1	97.2	5824	2	3	1	99.9	6528	2	3	1	112.0
	5W	5826	3	3	1	99.9	5986	3	3	1	102.7	6710	3	3	1	115.1		
	9,000	400	FR	8558	1	3	2	93.6	8794	1	3	2	96.2	9857	1	3	2	107.8
			FR-BC	5221	0	3	1	57.1	5365	1	3	1	58.7	6014	1	3	1	65.8
			2	8254	1	3	1	90.3	8482	1	3	1	92.7	9508	2	3	2	104.0
			2-BC	4366	0	3	1	47.7	4487	0	3	1	49.1	5029	1	3	1	55.0
			3	8414	2	3	2	92.0	8646	2	3	2	94.5	9692	2	3	2	106.0
			3-BC	4277	0	3	1	46.8	4395	0	3	1	48.1	4927	1	3	1	53.9
			4W	7879	1	3	2	86.2	8096	1	3	2	88.5	9075	1	3	2	99.2
			4W-BC	4492	1	3	1	49.1	4616	1	3	1	50.5	5174	1	3	2	56.6
			5QM	8335	3	3	1	91.1	8565	3	3	1	93.7	9601	3	3	1	105.0
	5W	8568	3	3	2	93.7	8804	3	3	2	96.3	9869	3	3	2	107.9		
	14,000	600	FR	12483	2	4	2	92.1	12827	2	4	2	94.6	14378	2	4	2	106.0
			FR-BC	7615	1	3	2	56.2	7825	1	3	2	57.7	8772	1	3	2	64.7
			2	12040	2	3	2	88.8	12372	2	3	2	91.2	13868	2	3	2	102.3
			2-BC	6369	1	3	1	47.0	6544	1	3	1	48.3	7336	1	3	1	54.1
			3	12273	2	3	2	90.5	12611	2	3	2	93.0	14136	2	3	2	104.2
			3-BC	6239	1	3	2	46.0	6411	1	3	2	47.3	7186	1	3	2	53.0
			4W	11492	2	3	2	84.7	11809	2	3	2	87.1	13237	2	3	3	97.6
			4W-BC	6553	1	3	2	48.3	6733	1	3	2	49.7	7548	1	3	2	55.7
5QM			12158	3	3	2	89.7	12493	3	3	2	92.1	14004	3	3	2	103.3	
5W	12497	4	3	2	92.2	12842	4	3	2	94.7	14395	4	3	2	106.2			

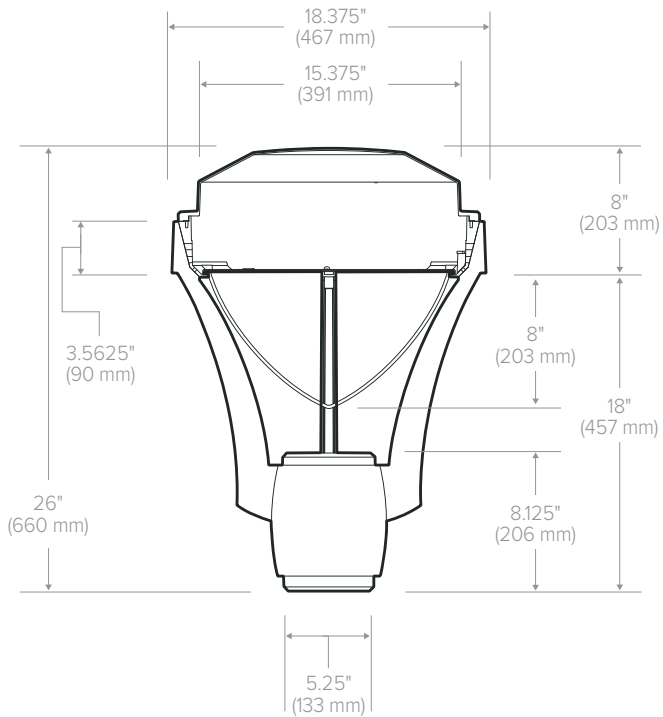
WA (WHITE ACRYLIC) LENS

LED #	Nominal Lumen Package	Drive Current	Distribution	3000K 70CRI					4000K 70CRI					5000K 70CRI				
				Lumen	BUG Rating			lm/w	Lumen	BUG Rating			lm/w	Lumen	BUG Rating			lm/w
					B	U	G			B	U	G			B	U	G	
72L	6,000	260	3	4538	1	3	3	77.8	4663	1	3	3	80.0	5227	1	3	3	89.6
			5W	4621	2	3	2	79.3	4749	2	3	2	81.4	5323	2	3	3	91.3
	9,000	400	3	6674	2	3	3	73.0	6858	2	3	3	75.0	7688	2	3	3	84.1
			5W	6796	3	3	3	74.3	6984	3	3	3	76.4	7828	3	4	3	85.6
	14,000	600	3	9657	2	4	4	71.2	9924	2	4	4	73.2	11124	2	4	4	82.0
			5W	9992	3	4	3	73.7	10268	3	4	3	75.7	11509	3	4	4	84.6

SRSP2

DECORATIVE AND POST TOP

DIMENSIONS



FRONT VIEW

SRSP2

DECORATIVE AND POST TOP

PHOTOMETRY

SRS2-72L-600-4K7-1

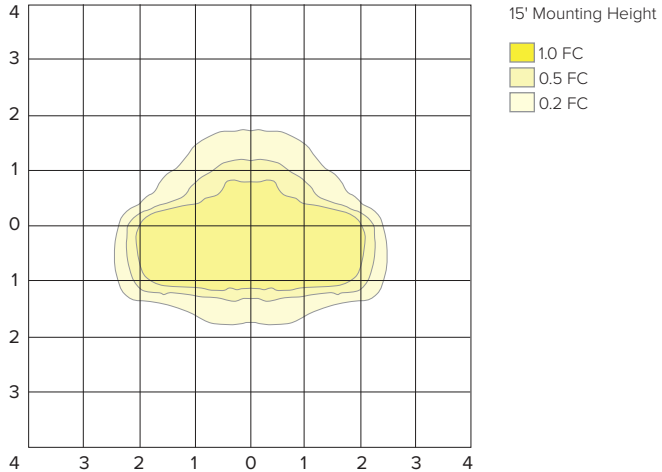
LUMINAIRE DATA

Description	4000K, 70CRI
Delivered Lumens	13915
Watts	135.6
Efficacy	102.6
IES Type	I
BUG Rating	B2-U4-G2
Mounting Height	15 ft
Grid Scale	15 ft

ZONAL LUMEN SUMMARY

Zone	Lumens	% Luminaire
Downward Street Side	10,473	75.3%
Downward House Side	2,428	17.4%
Downward Total	12,901	92.7%
Upward Street Side	441	3.2%
Upward House Side	572	4.1%
Upward Total	1,013	7.3%
Total Flux	13,914	100.0%

ISOFOOT CANDLE PLOT



SRS2-72L-600-4K7-2

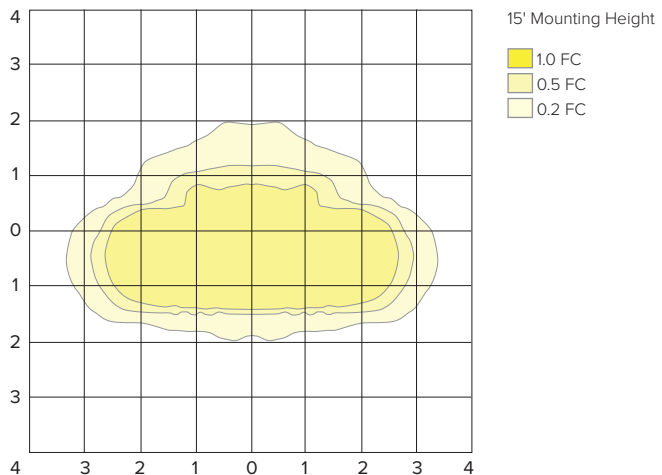
LUMINAIRE DATA

Description	4000K, 70CRI
Delivered Lumens	13422
Watts	135.6
Efficacy	99.0
IES Type	II
BUG Rating	B2-U3-G2
Mounting Height	15 ft
Grid Scale	15 ft

ZONAL LUMEN SUMMARY

Zone	Lumens	% Luminaire
Downward Street Side	10,073	75.0%
Downward House Side	2,693	20.1%
Downward Total	12,766	95.1%
Upward Street Side	284	2.1%
Upward House Side	372	2.8%
Upward Total	656	4.9%
Total Flux	13,422	100.0%

ISOFOOT CANDLE PLOT



SRS2-72L-600-4K7-3

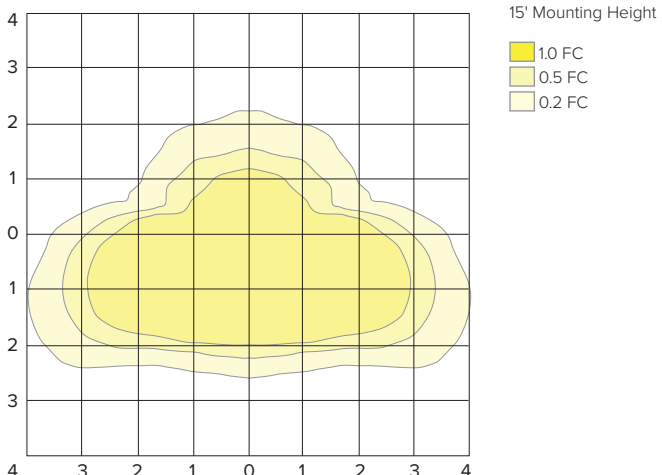
LUMINAIRE DATA

Description	4000K, 70CRI
Delivered Lumens	13681
Watts	135.23
Efficacy	101.2
IES Type	III
BUG Rating	B2-U3-G2
Mounting Height	15 ft
Grid Scale	15 ft

ZONAL LUMEN SUMMARY

Zone	Lumens	% Luminaire
Downward Street Side	10,431	76.2%
Downward House Side	2,621	19.2%
Downward Total	13,052	95.4%
Upward Street Side	282	2.1%
Upward House Side	347	2.5%
Upward Total	629	4.6%
Total Flux	13,681	100.0%

ISOFOOT CANDLE PLOT



SRSP2

DECORATIVE AND POST TOP

PHOTOMETRY (CONTINUED)

SRS2-72L-600-4K7-4W

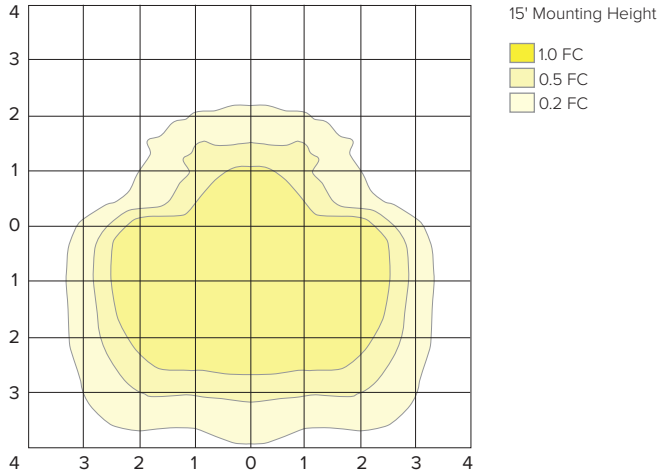
LUMINAIRE DATA

Description	4000K, 70CRI
Delivered Lumens	12810
Watts	135.6
Efficacy	94.5
IES Type	IV
BUG Rating	B2-U3-G3
Mounting Height	15 ft
Grid Scale	15 ft

ZONAL LUMEN SUMMARY

Zone	Lumens	% Luminaire
Downward Street Side	10,248	80.0%
Downward House Side	2,063	16.1%
Downward Total	12,311	96.1%
Upward Street Side	223	1.7%
Upward House Side	276	2.2%
Upward Total	499	3.9%
Total Flux	12,810	100.0%

ISOFOOT CANDLE PLOT



SRS2-72L-600-4K7-5Q

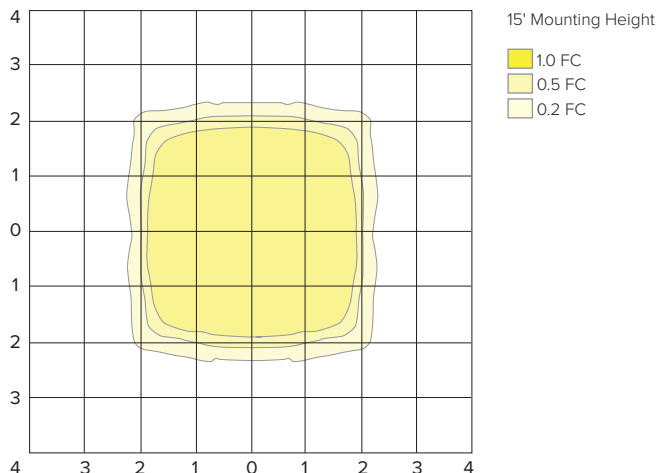
LUMINAIRE DATA

Description	4000K, 70CRI
Delivered Lumens	13554
Watts	135.6
Efficacy	100.0
IES Type	VQ
BUG Rating	B3-U3-G2
Mounting Height	15 ft
Grid Scale	15 ft

ZONAL LUMEN SUMMARY

Zone	Lumens	% Luminaire
Downward Street Side	6,506	48.0%
Downward House Side	6,506	48.0%
Downward Total	13,012	96.0%
Upward Street Side	271	2.0%
Upward House Side	271	2.0%
Upward Total	542	4.0%
Total Flux	13,554	100.0%

ISOFOOT CANDLE PLOT



SRS2-72L-600-4K7-5W

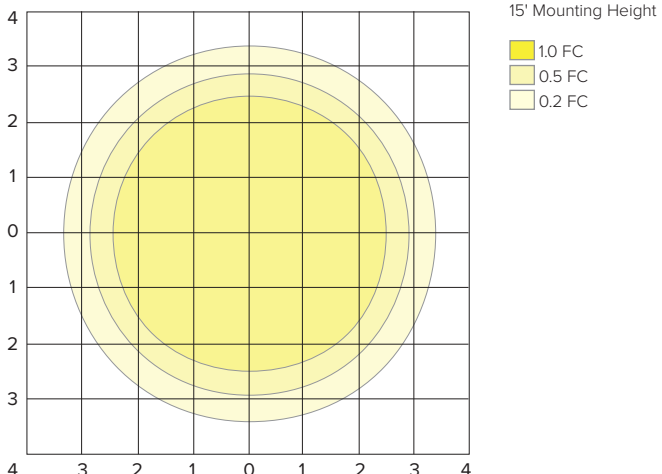
LUMINAIRE DATA

Description	4000K, 70CRI
Delivered Lumens	13931
Watts	135.6
Efficacy	102.7
IES Type	VW
BUG Rating	B4-U3-G2
Mounting Height	15 ft
Grid Scale	15 ft

ZONAL LUMEN SUMMARY

Zone	Lumens	% Luminaire
Downward Street Side	6,716	48.2%
Downward House Side	6,716	48.2%
Downward Total	13,432	96.4%
Upward Street Side	250	1.8%
Upward House Side	250	1.8%
Upward Total	499	3.6%
Total Flux	13,931	100.0%

ISOFOOT CANDLE PLOT

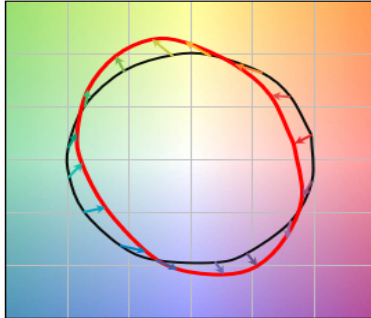


SRSP2

DECORATIVE AND POST TOP

TM-30 DATA

COLOR VECTOR GRAPHIC

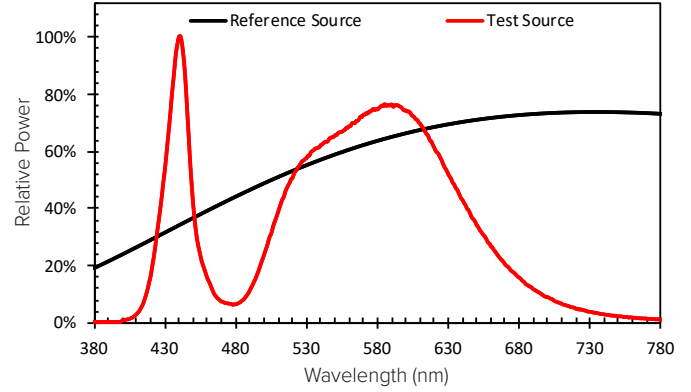


— Reference Illuminant — Test Source

TEST SOURCE

R _f	68
R _g	99
CCT(K)	3947
D _{uv}	0.0004
x	0.3831
y	0.3793
CIE R _a	72

SPECTRAL POWER DISTRIBUTION COMPARISON



ELECTRICAL DATA

LED #	System Watts	Current	Line Voltage		Amps AC						Min Power Factor	Max. THD (%)	Dimming				
			VAC	Hz	120	208	240	277	347	480			Dimming Range	Source Current Out		Absolute Voltage	
														Min	Max	Min	Max
72L	58.3	260 mA	120-480	50/60	0.49	0.28	0.24	0.21	0.17	0.12	>0.9	20	10% to 100%	0mA	1mA	0V	10V
	91.45	400 mA			0.76	0.44	0.38	0.33	0.26	0.19							
	135.6	600 mA			1.13	0.65	0.57	0.49	0.39	0.28							

TM-21 Lifetime Calculation - Projected Lumen Maintenance (25°C / 77°C)						
HOURS	0	25,000	36,000	50,000	100,000	Reported L70
Projected Lumen Maintenance	100%	92.5%	90.4%	87.7%	78.9%	>60000