

Traditional Floral BN10/BR12

120 VOLT COPPER / BRONZE, A-19 INCANDESCENT

Type: Job: Fixture Catalog number:	Mounting Options:	Approvals:
<hr/> Fixture and Finish	<hr/> Ordered Separately from Fixture See pages 2-3	

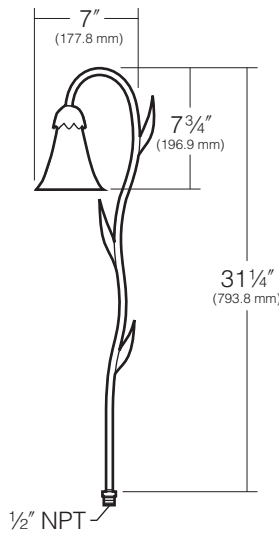
Specifications

Hood: Spun copper.
Husk: Cast bronze.
Stem: 1/8" schedule 40 red brass pipe with 1/2" NPT stainless steel bushing at bottom for mounting.
Socket: Porcelain medium base with silicone lamp gasket.
Wiring: No. 18AWM rated 105°C.
Finish: (BN10) Acid etched verde green patina.
(BR12) Natural copper.
Certification: UL Listed to U.S. and Canadian safety standards for wet locations.

ORDERING INFORMATION

Fixture	Finish
<input type="checkbox"/> BN10	Verde Patina
<input type="checkbox"/> BR12	Natural

Wattage / Lamp
40W
A-19
Incandescent



Traditional Floral BN10/BR12

120 VOLT COPPER / BRONZE, A-19 INCANDESCENT



Mounting Options Ordered Separately from Fixture

Landscape Light Post by Engineered Products Co.

Cat. No.

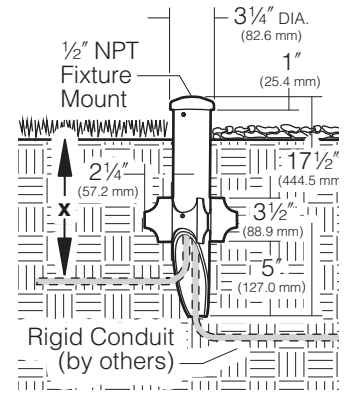
- EP17
- No Option

PVC fixture molded in black with 1/2" NPT mount is corrosion free and UV resistant. Replaces EMT, conduit connectors and weatherproof boxes. 100% shatter resistant against denting and cracking. Angled bottom to eliminate cable congestion.

17 1/2" post length

NOTE: EP17 should be used with a UL listed fixture and grounding means (i.e., third wire) suitable for use in wet locations.

"x" = required depth of conduit per local codes.



Architectural Junction Box

Cat. No.

Finish

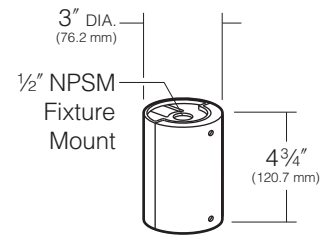
- JB1/BL Black
- JB1/DB Dark Bronze
- JB1/GR Verde Green
- No Option

Die-cast aluminum with 1/2" NPSM fixture mount. Internal set screw provided for locking position. Two 1/2" NPSM in bottom, 17 cu in. internal volume. Super TGIC powder coat paint over clear anodizing and titanated zirconium conversion coating.

Application Notes

- Elevates Accent Lights above ground cover to prevent foliage from blocking the light.
- Elevates Path Lights above ground cover to achieve a greater light throw.

CAUTION: Junction box must be installed high enough to avoid contact with soil or standing water.



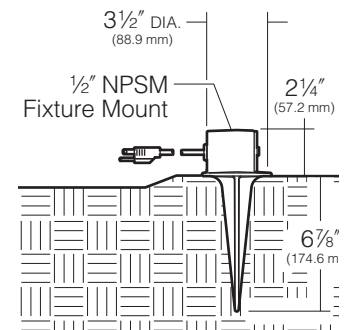
Portable Spear Mount

Cat. No.

- J-25N
- No Option

Cast iron with 1/2" NPSM fixture mount. Hot dip galvanized finish. 5.5 cu in. splice compartment. (SJTW-A) 3 wire cord and plug.

9' cord length



Traditional Floral BN10/BR12

120 VOLT COPPER / BRONZE, A-19 INCANDESCENT



Mounting Options Ordered Separately from Fixture

Brass In-grade Architectural Junction Box

Cat. No.

- JBR-2
- JBR-3
- JBR-21
- JBR-24
- No Option

Die-cast brass with 1/2" NPSM fixture mount and die-cast cover. Internal set screw provided for locking position. 18 cu in. internal volume.

- JBR-2** (2) 1/2" NPT in bottom
- JBR-3** (2) 3/4" NPT in bottom
- JBR-21** (2) 1/2" NPT in sides, (2) 1/2" NPT in bottom
- JBR-24** (4) 1/2" NPT in sides, (2) 1/2" NPT in bottom

All side taps provided with plugs.

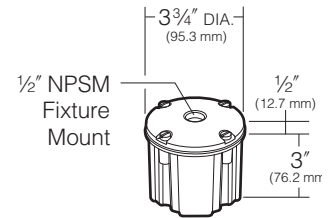
25 Year Limited Warranty:

Solid brass junction boxes are warranted for 25 years, from date of sale, against manufacturing defects and failure due to corrosion.

Application Notes

- Creates a flush-mounted appearance.
- May be cast in concrete for increased stability.

CAUTION: Fixture stem and swivel must not contact soil or standing water. Provide drainage away from junction box.



Brass In-grade Staked Junction Box

Cat. No.

- JBR30
- No Option

JBR30 BRASS IN-GRADE STAKED JUNCTION BOX

Die-cast brass with 1/2" NPSM fixture mount and die-cast cover. Internal set screw provided for locking position. 18 cu in. internal volume.

(2) 1/2" NPT in bottom with (2) 19" long brass stakes

Brass In-grade Staked Junction Box with Cord

Cat. No.

- JBR32
- No Option

JBR32 BRASS IN-GRADE STAKED JUNCTION BOX WITH CORD

Die-cast brass with 1/2" NPSM fixture mount and die-cast cover. Internal set screw provided for locking position. 18 cu in. internal volume. (SJTW-A) 3 wire cord and plug.

(2) 19" long brass stakes with 9' cord

25 Year Limited Warranty:

Solid brass junction boxes are warranted for 25 years, from date of sale, against manufacturing defects and failure due to corrosion.

Application Notes

- Creates a flush-mounted appearance.
- May be cast in concrete for increased stability.

CAUTION: Fixture stem and swivel must not contact soil or standing water. Provide drainage away from junction box.

