

# Traditional BN192

120 VOLT COPPER / BRASS, LED

**Type:**  
**Job:**  
**Fixture Catalog number:**

---

Fixture Module and Finish      Hood and Finish

**Mounting Options:**

---

Ordered Separately from Fixture  
 See page 2

**Approvals:**

## Specifications

**Hood:** Spun copper with low copper alloy aluminum die-cast reflector and hinge assembly. The hood is either raw copper or verde green patina and the reflector is always painted white. The hood reflector assembly is removable with a no-tool stainless steel lever latch. Hood is available in three styles: Pagoda, Cone, and Mushroom.

**Husk:** Die-cast brass with stainless steel hinge / latch assembly.

**Globe:** Fluted glass.

**Stem:** 13" schedule 40 red brass pipe with K" NPT at bottom plus solid brass locknut for secure mounting.

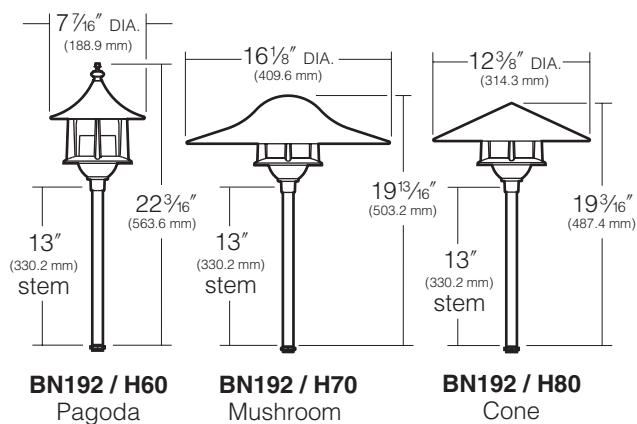
**Wiring:** No. 18AWM rated 105°C.

**Optical System:** A total of 3 LED emitters configured in a rectangular array comprised together as a module. Available in 3000K, 4200K and 5100K.

**Driver:** Universal Voltage from 120 to 277V with a ±10% tolerance. -40°F. starting temperature. All drivers are Underwriters Laboratories recognized.

**Finish:** Natural Brass (NB)

**Certification:** UL Listed to U.S. and Canadian safety standards for wet locations.

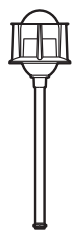


**NOTE:** Fixture modules and hoods may be ordered separately.



## ORDERING INFORMATION

Fixture	Source	Finish
BN192/3L3KUV/NB	5.2W, 3 LED's, 3000K	Brass/ Natural
BN192/3L4KUV/NB	5.2W, 3 LED's, 4200K	
BN192/3L5KUV/NB	5.2W, 3 LED's, 5100K	



<sup>1</sup>Universal Voltage from 120 to 277V with a ±10% tolerance.  
 For 5.2W, Max Amps. are .040 for 120V, .030 for 208V, .020 for 240V, .020 for 277V

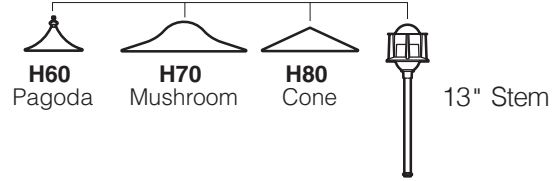
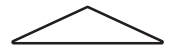
**Pagoda Hood**      **Material/Finish**  
 | H60NB      Copper/Natural



**Mushroom Hood**      **Material/Finish**  
 | H70NB      Copper/Natural



**Cone Hood**      **Material/Finish**  
 | H80NB      Copper/Natural



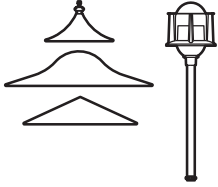
KIM LIGHTING RESERVES THE RIGHT TO CHANGE SPECIFICATIONS WITHOUT NOTICE.

# Traditional BN192

120 VOLT COPPER / BRASS, LED

Type:

Job:



## Mounting Options

Ordered Separately from Fixture

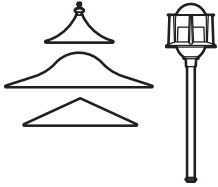
<p><b>Landscape Light Post by Engineered Products Co.</b> Cat. No.   EP17   No Option</p>	<p>PVC fixture molded in black with K" NPT mount is corrosion free and UV resistant. Replaces EMT, conduit connectors and weatherproof boxes. 17K" post length.</p>
<p><b>Architectural Junction Box</b> Cat. No.      Finish   JB1/BL      Black   JB1/DB      Dark Bronze   No Option</p>	<p>Die-cast aluminum with K" NPSM fixture mount. Internal set screw provided for locking position. Two K" NPSM in bottom, 17 cu in. internal volume. TGIC powder coat.</p>
<p><b>Portable Spear Mount</b> Cat. No.   J-25N   No Option</p>	<p>Cast iron with K" NPSM fixture mount. Hot dip galvanized finish. 5.5 cu in. splice compartment. (SJTW-A) 3 wire cord and plug. 9' cord length.</p>
<p><b>Composite In-grade Architectural Junction Box</b> Cat. No.   JBR-4   JBR-5   No Option</p>	<p>Composite box with K" NPSM fixture mount and composite cover. Internal set screw provided for locking position. 19 cu in. internal volume. <b>JBR-4</b> (2) L" NPT knock-outs in bottom (4) L" NPT knock-outs on sides @ 90° <b>JBR-5</b> Same as above but with brass cover <b>NOTE:</b> May also be used to hard mount low voltage fixtures.</p>
<p><b>Brass In-grade Architectural Junction Box</b> Cat. No.   JBR-2   JBR-3   JBR-21   JBR-24   No Option</p>	<p>Die-cast brass with K" NPSM fixture mount and die-cast cover. Internal set screw provided for locking position. 18 cu in. internal volume. <b>JBR-2</b> (2) K" NPT in bottom <b>JBR-3</b> (2) L" NPT in bottom <b>JBR-21</b> (2) K" NPT in sides, (2) K" NPT in bottom <b>JBR-24</b> (4) K" NPT in sides, (2) K" NPT in bottom All side taps provided with plugs.</p>
<p><b>Brass In-grade Junction Box</b> Cat. No.   JBR30   JBR32   No Option</p>	<p><b>JBR30 BRASS IN-GRADE STAKED JUNCTION BOX</b> Die-cast brass with K" NPSM fixture mount and die-cast cover. Internal set screw provided for locking position. 18 cu in. internal volume. (2) K" NPT in bottom with (2) 19" long brass stakes</p> <hr/> <p><b>JBR32 BRASS IN-GRADE STAKED JUNCTION BOX WITH CORD</b> Die-cast brass with K" NPSM fixture mount and die-cast cover. Internal set screw provided for locking position. 18 cu in. internal volume. (SJTW-A) 3 wire cord and plug. (2) 19" long brass stakes with 9' cord</p>

# Traditional BN192

120 VOLT COPPER / BRASS, LED

Type:

Job:



## Lumen Data

Spectroradiometric			
	3000K	4200K	5100K
Correlated Color Temp. CCT (K)	2800 to 3175K	3800 to 4600K	4600 to 5600K
Color Rendering Index (CRI)	≥75	≥70	≥65

ELECTRICAL - Drive Current @350mA (3 LEDs)		
Volts -AC	Amps - AC	System Watts
120	0.04	5.2
208	0.03	5.2
240	0.02	5.2
277	0.02	5.2

Absolute Lumens (3 LEDs)	
Temperature	BN192/3L*K
3000K	57
4200K	66.7
5100K	71.1

Lumens Per Watt (3 LEDs)	
Temperature	BN192/3L*K
3000K	11.0
4200K	12.8
5100K	13.7