

**BNL276**

RAVENNA™ LOWLIGHTER 120V

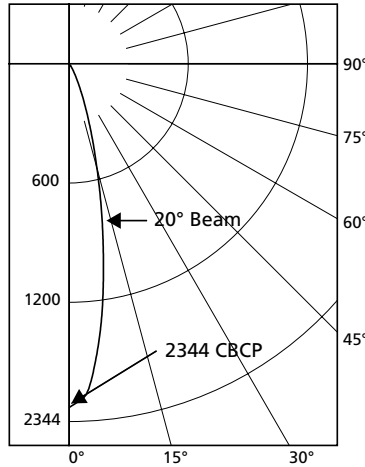
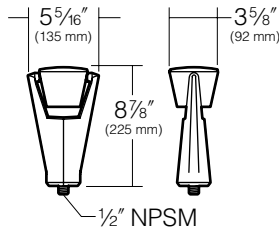
**FEATURES**

- Die-cast brass, stainless steel fasteners.
- Aimable 358° vertically, horizontal aiming controlled by installation mounting device
- 3000K, 4000K, or 5000K color temperatures

**CERTIFICATIONS**



**SPECIFICATIONS**



Voltage: 120    Watts: 6.84    Amps: 0.83  
 Lumens: 470    CBCP: 2344    Beam: 20°  
 CCT: 3000K    Efficacy: 69    Lm/W

**ORDERING CODE**

Model	Fixture Options	Mounting Options
<b>BNL276NB</b> Natural Brass	<p><b>PL<sup>1</sup></b> Prismatic Spread Lens softens lamp distribution. Best with spot.</p> <p><b>SL<sup>1</sup></b> Linear Spread Lens creates oval beam pattern. Best with spot.</p>	<p><b>EP17</b> Landscape Light Post Mount, 12V &amp; 120V</p> <p><b>J-25N</b> Portable Spear Mount, 120V, Lowlighter only</p> <p><b>JB1<sup>2</sup></b> Architectural J-box, 12V &amp; 120V</p> <p><b>JBR-2</b> In-grade J-box (2) 1/2" NPT in bottom, 12V &amp; 120V</p> <p><b>JBR-3</b> In-grade J-box (2) 3/4" NPT in bottom, 12V &amp; 120V</p> <p><b>JBR-4</b> Composite in-grade J-box (2) 1/2" NPT in bottom, (4) NPT on sides @ 90°, 12V &amp; 120V</p> <p><b>JBR-5</b> Brass cover, composite in-grade J-box (2) 1/2" NPT in bottom, (4) NPT on sides @ 90°, 12V &amp; 120V</p> <p><b>JBR-21</b> In-grade J-box (2) 1/2" NPT in sides, (2) 1/2" NPT in bottom, 12V &amp; 120V</p> <p><b>JBR-24</b> In-grade J-box (4) 1/2" NPT in sides, (2) 1/2" NPT in bottom, 12V &amp; 120V</p> <p><b>JBR-30</b> Brass in-grade staked J-box, 12V &amp; 120V</p> <p><b>JBR-32</b> Brass in-grade staked J-box with cord, 120V</p> <p><b>SM18<sup>2</sup></b> Stanchion Mount, 12V &amp; 120V<sup>3</sup></p> <p><b>J-27N</b> Surface Mount, 120V, Lowlighter only</p> <p><b>JWBR<sup>3</sup></b> Brass Architectural Wall Mount, 120V, Lowlighter only<sup>4</sup></p> <p><b>JW</b> Architectural Wall Mount, 120V, Lowlighter only</p>

1 Inserts behind lens.  
 2 Specify finish, **BL** - Black, **DB** - Dark Bronze, **GR** - Verde Green.  
 3 Specify finish, **NB** - Natural Brass, **VG** - Verde Green Patina.

**BNL276**

RAVENNA™ LOWLIGHTER 120V

**LUMINAIRE PERFORMANCE**

Nominal Lumen Package	Center Beam Candle Power	Watts	Lumens Per Watt
470	2344	6.84	69

**SPECIFICATIONS****Lamp Housing:**

- Die-cast brass, stainless steel fasteners and stainless steel set screw lock for aiming pivot.

**Aiming:**

Aimable 358° vertically, horizontal aiming controlled by installation on mounting device.

**Ravenna Yoke:**

- Die-cast low copper aluminum, stainless steel fasteners and 1/2" NPSM brass nipple mount.

**Lens:**

- Tempered glass, 1/8" nominal thickness.

**Gasketing:**

- Silicone gaskets used throughout.

**Transformer:**

- 120 volt to 12 volt, 20 watt electronic stepdown transformer, enclosed and gasketed in yoke base.

**Wiring:**

- No. 18AWM rated 105°C.

**Driver/Optical System:**

- 3 LED emitters configured in a triangle array comprised together as a module. Each LED is encapsulated under a precision optical prism to produce a narrow flood pattern. The -40c driver is within the module and operates on 12V AC or DC current, 10 watt, 0.83 amp.

**Finish:**

- Standard colors include (NB) Natural Bronze

**Certifications and Listings:**

- UL 1598 Standard for wet locations for Luminaires.
- UL 8750 Standard for Safety for Light Emitting Diode (LED) Equipment for use in Lighting Products.

**Caution:**

- Fixtures must be grounded in accordance with national, state and/or local electrical codes, Failure to do so may result in serious personal injury.

**BNL276**

RAVENNA™ LOWLIGHTER 120V

**OPTIONS**

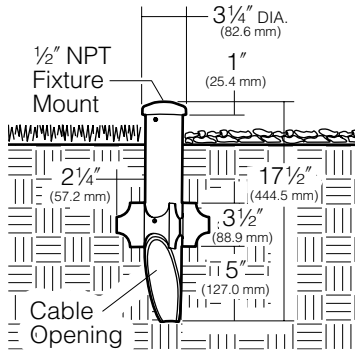
**Fixture Options:**

- **Prismatic Lens:** Softens lamp distribution and flattens beam spread. Best with flood lamps. Replaces standard lens. Cannot be used in combination with HL louver.
- **Spread Lens:** Creates an oval beam pattern, more narrow in one beam axis. Best with spot lamps. Replaces standard lens. Cannot be used in combination with HL louver.

**Mounting Options:**

- **Landscape Light Post:** PVC fixture molded in black with 1/2" NPT mount is corrosion free and UV resistant. Replaces EMT, conduit connectors and weatherproof boxes. 100% shatter resistant against denting and cracking. Angled bottom to eliminate cable congestion. 17 1/2" post length

**Caution:** The Ravenna Highlighter tray may be too heavy for the EP17. Any slight impact could damage the cap.



**Brass In-grade Architectural Junction Box**

- Die-cast brass with K" NPSM fixture mount and die-cast cover. Internal set screw provided for locking position. 18 cu in. internal volume.
- JBR-2 (2) 1/2" NPT in bottom
- JBR-3 (2) L" NPT in bottom
- JBR-21 (2) 1/2" NPT in sides, (2) 1/2" NPT in bottom
- JBR-24 (4) 1/2" NPT in sides, (2) 1/2" NPT in bottom

All side taps provided with plugs.

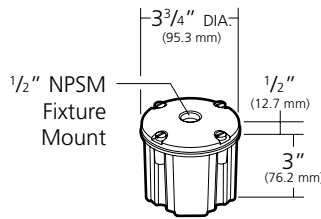
**25 Year Limited Warranty:**

Solid brass junction boxes are warranted for 25 years, from date of sale, against manufacturing defects and failure due to corrosion.

**Application Notes**

- Creates a flush-mounted appearance.
- May be cast in concrete for increased stability.

**CAUTION:** Fixture stem and swivel must not contact soil or standing water. Provide drainage away from junction box.

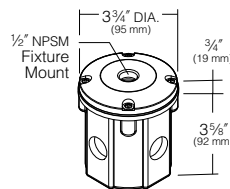


**Composite In-Grade Architectural Junction Box**

Composite box with 1/2" NPSM fixture mount and composite cover. 19 cu in. internal volume.

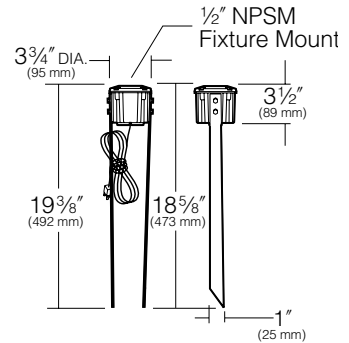
- JBR-4 (2) L" NPT knockouts in bottom. (4) L" NPT knockouts on sides.
- JBR-5 Same as above but with brass cover.

**CAUTION:** Fixture stem and swivel must not contact soil or standing water. Provide drainage away from J-Box.



**Brass In-grade Staked Junction Box**

- **JBR30** Die-cast brass with 1/2" NPSM fixture mount and die-cast cover. Internal set screw provided for locking position. 18 cu in. internal volume.
- (2) 1/2" NPT in bottom with (2) 19" long brass stakes



**Stanchion Mount**

3" O.D. by .188" wall cast aluminum with 1/2" NPSM fixture mount and hand hole with flush cover. Internal set screw fixture lock accessible through hand hole. Internal ground lug supplied with installed lead. Super TGIC powder coat paint over clear anodizing and titanated zirconium conversion coating.

