

**BNM**

MINI-BOUNCE™ LED

**Type:**  
**Job:**  
**Catalog number:**

**Approvals:**

/ **BNM** /

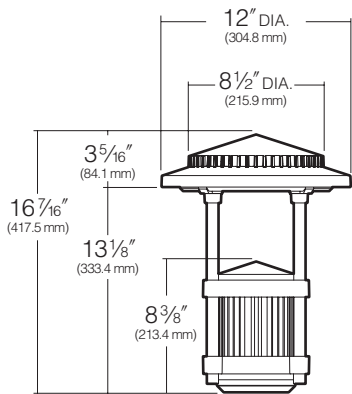
Mtg.	Fixture	Electrical Module	Finish	Options
See page 2		See page 2		See page 3

Select pole from Kim Pole Catalog (**PRA** or **KRS**). Omit for **1W** Wall Mount.

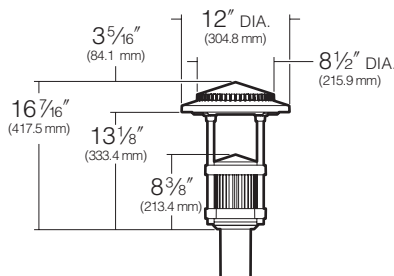


**Specifications**

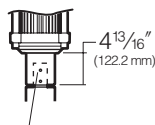
18, 27 or 36 LED



**Flush Mount (FM)**



**Post Tenon Top (PT)**



Pole with 2" pipe-size tenon (2 5/8" O.D. x 4 1/2" min. length)

**Hood and Lens Frame:** Die-cast, low copper (<0.6% Cu) aluminum alloy with stainless steel hinge. Hood is opened by loosening three stainless steel captive button-head socket cap screws. 3/16" thick clear flat tempered glass lens seals against the lens frame by a one-piece molded silicone gasket. Lens frame seals against the hood by a one-piece extruded and vulcanized silicone gasket.

**Body Support:** Die-cast, low copper (<0.6% Cu) aluminum alloy flanges compress a ribbed extruded aluminum chamber. The four heavy wall extruded aluminum support rods are mechanically fastened to the lens frame with stainless steel fasteners. The support rods are held in position through die-cast arms and mechanically fastened at the bottom with a custom aluminum bolt. The electrical wiring is channeled through a support rod with a brass bushing. The die-cast aluminum cover is held with two captive stainless steel screws.

**StarView™ Black Ballast Cover:** Die-cast, low copper (<0.6% Cu) aluminum alloy, retained by two captive stainless steel screws. Matte black finish to eliminate bounce light. See page 3.

**LED Optical System:** A total of 9 LED emitters configured in a rectangular array comprised together as a module. Two (2) modules for 18 LED version; three (3) modules for 27 LED version; and four (4) modules for 36 LED version. Available in 3000K, 4200K and 5100K.

**LED Driver:** Rated for 18 or 36 LED. Universal voltage from 120 to 277V with a ±10% tolerance. -40°F starting temperature. All drivers are Underwriters Laboratories recognized.

**Finish:** Each luminaire receives a fade and abrasion resistant, electrostatically applied, thermally cured, triglycidal isocyanurate (TGIC) polyester powdercoat finish.

**CAUTION:** Fixtures must be grounded in accordance with national, state and/or local electrical codes. Failure to do so may result in serious personal injury.

**Mount by one of the following:**

**Flush Mount (FM):** Flush Mount to any 4" round pole with a wall thickness not more than .188" thick. A spreader assembly is provided to grip the inside surface of the pole. A single spreader bolt is accessible through the body support. (Other pole sizes, consult factory).

**Pole Tenon Mount (PT):** Pole Tenon Mount to any 2" pipe tenon (2 2/3" OD). A cast tenon adaptor is provided to slip-fit the tenon. (Other tenon sizes, consult factory).

**U.S. Patent D473,333S**

Listings and Ratings			
ETL <sup>1</sup> to UL Standards 1598 & 8750	IP66 Rated	CE	25C Ambient
Full Cut Off <sup>2</sup>			
IDA Rated - FS - Full Shielded			

<sup>1</sup>Suitable for wet locations

<sup>2</sup>Dark Sky Legislation Compliant

KIM LIGHTING RESERVES THE RIGHT TO CHANGE SPECIFICATIONS WITHOUT NOTICE

**BNM**

MINI-BOUNCE™ LED

Type:

Job:



**Standard Features**

<b>Mounting:</b>	Plan View:					
	EPA: Cat. No.:	1.0   <b>FM</b>	1.0   <b>PT</b>	3.0   <b>2B</b>	4.5   <b>4C</b>	n/a   <b>1W</b>
		Flush Mount	Tenon Mount	Twin Mount	Quad Mount	Wall Mount

<b>Electrical Module</b>	Cat. Nos. for Electrical Modules available:		
	LED   <b>18L3KUV<sup>1</sup></b>   <b>18L4KUV<sup>1</sup></b>   <b>18L5KUV<sup>1</sup></b>  IES Type 1	LED   <b>27L3KUV<sup>1</sup></b>   <b>27L4KUV<sup>1</sup></b>   <b>27L5KUV<sup>1</sup></b>  IES Type 3	LED   <b>36L3KUV<sup>1</sup></b>   <b>36L4KUV<sup>1</sup></b>   <b>36L5KUV<sup>1</sup></b>  IES Type 5
	Lamp	LED	LED
	Socket	N/A	N/A

**WARNING:** Fixtures must be installed and grounded in accordance with national, state and/or local electrical codes. Failure to do so may result in serious personal injury. For lamp/ballast information outside of the U.S.A. and Canada, please consult our local Kim representative. Lamps by others.

<sup>1</sup>18L = 18 LED Emitters; 36L = 36 LED Emitters; 3K = 3000K color temperature; 4K = 4200K color temperature; 5K = 5100K color temperature; UV = Universal Voltage from 120 to 277V with a ± 10% tolerance.

<b>Finish</b> TGIC powder coat	Cat. No.: Color:	Cat. No.: Color:
	<b>BLS</b> Black Gloss Smooth   <b>BLT</b> Black Matte Textured   <b>DBS</b> Dark Bronze Gloss Smooth   <b>DBT</b> Dark Bronze Matte Textured   <b>GTT</b> Graphic Matte Textured   <b>LGS</b> Light Grey Gloss Smooth	<b>LGT</b> Light Grey Matte Textured   <b>PSS</b> Platinum Silver Gloss Smooth   <b>VGT</b> Verde Green Matte Textured   <b>WHS</b> White Gloss Smooth   <b>WHT</b> White Matte Textured   <b>CC</b> Custom Color
	Custom colors subject to additional charges, minimum quantities and extended lead times. Consult representative. Custom color description: _____	

Type:

Job:



## Optional Features

**Textured Glass Lens**

Cat. No. | **TG**  
| **No Option**

Unique textured glass reduces LED glare and improves visual comfort.

**Fusing**

Cat. No. | **(see right)**  
| **No Option**

High temperature fuse holders factory installed inside the fixture housing. Fuse is included.

Line Volts:      120V                      208V                      240V                      277V                      347V

Cat. No.:        | **SF**                      | **DF**                      | **DF**                      | **SF**                      | **SF**

**StarView™  
Black Ballast Cover**

Cat. No. | **BBC**  
| **No Option**

For locations where complete cutoff optical control is desired, Kim's StarView™ optional matte black ballast cover can be specified. This option reduces the indirect uplight distribution for use in areas where light pollution and trespass is a concern and to promote celestial visibility at night.



Black Ballast Cover