

CB LED

COMPACT BOLLARD

Type:
Job:
Catalog number:

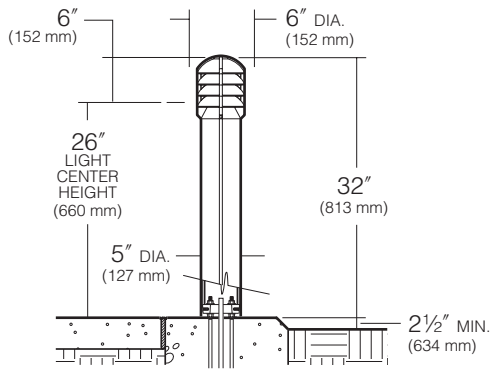
Approvals:

/	/	/
Fixture	Electrical Module	Luminaire Finish
Option		
See page 2		

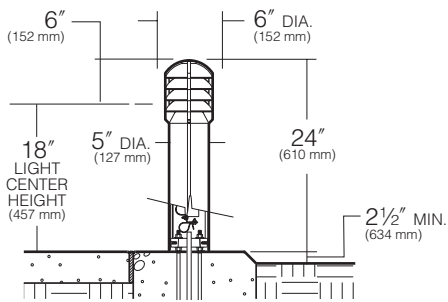
Specifications

CB Models
 10 to 20 Diodes

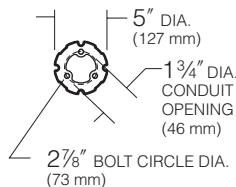
CB32
 Maximum weight: 20 lb



CB24
 Maximum weight: 17 lb



BASE PLAN CB



Top, Louvers: Interlocking die-cast, low-copper (<0.6% Cu) aluminum sections fasten together with concealed stainless steel screws. Louver base assembly fastens internally to riser with 4 concealed screws.

Riser: Extruded aluminum, 5" diameter, .125" typical wall thickness, external vertical grooves align with vertical members on louver assembly. Attaches to anchor base with 4 countersunk stainless steel flat socket head screws finished to match fixture.

Anchor Base: Heavy cast aluminum, fully concealed within riser shaft. Three 3/8" x 10" + 2" zinc plated anchor bolts, each with two nuts and washers, and a rigid pressboard template.

Globe: Internally fluted, clear tempered glass, fully gasketed.

Optical Module: Each LED equipped with a directional optic for maximum beam angle projecting through louver stack spacings. LED boards to be mounted to an anodized inter-locking heat sink extrusion. (Type I) two 5-LED boards for a total of 10-LED. (Type III) three 5-LED boards for a total of 15-LED. (Type V) four 5-LED boards for a total of 20-LED. Available in 580nm Amber, 3000K, 4000K and 5000K color temperatures.

Electronic Module: All electrical components are either UL or ETL recognized, mounted on a single plate and factory prewired with quick disconnect plugs. Driver is rated for -40°F starting and has a 0-10V dimming interface for multi-level illumination options.

Finish: Each luminaire receives a fade and abrasion resistant, electrostatically applied, thermally cured, triglycidal isocyanurate (TGIC) polyester powdercoat finish.

Listed to: UL 1598 Standard for Luminaires - UL 8750 Standard for Safety for Light Emitting Diode (LED) Equipment for use in Lighting Products and CSA C22.2#250.0 Luminaires. RoHS compliant. Meets Buy American provisions within ARRA.

CAUTION: Fixtures must be grounded in accordance with national, state and/or local electrical codes. Failure to do so may result in serious personal injury.

KIM LIGHTING RESERVES THE RIGHT TO CHANGE SPECIFICATIONS WITHOUT NOTICE

CB LED

COMPACT BOLLARD



Standard and Optional Features

<p>Fixture Cat. No. designates fixture.</p>	<p>Cat. No. CB24 Compact Bollard 24" overall height CB32 Compact Bollard 32" overall height</p>								
<p>Electrical Module LED = Light Emitting Diode</p>	<p>Cat. Nos. for LED Electrical Modules available:</p> <table border="0" style="width: 100%; border-collapse: collapse;"> <tr> <td style="text-align: center; width: 33%; border-bottom: 1px solid black;"> <p>xL</p> </td> <td style="text-align: center; width: 33%; border-bottom: 1px solid black;"> <p>xK</p> </td> <td style="text-align: center; width: 33%; border-bottom: 1px solid black;"> <p>UV</p> </td> </tr> <tr> <td style="vertical-align: top; border-right: 1px solid black;"> <p>Source:</p> <ul style="list-style-type: none"> 10L= 10 LED (IES Type I) 15L= 15 LED (IES Type III) 20L= 20 LED (IES Type V) </td> <td style="vertical-align: top; border-right: 1px solid black;"> <p>Color Temperature:</p> <ul style="list-style-type: none"> 2K = 580nm - Amber 3K = 3000K 4K = 4000K 5K = 5000K </td> <td style="vertical-align: top;"> <p>Voltage:</p> <ul style="list-style-type: none"> UV Universal Voltage shall range from 120V-277V </td> </tr> </table>			<p>xL</p>	<p>xK</p>	<p>UV</p>	<p>Source:</p> <ul style="list-style-type: none"> 10L= 10 LED (IES Type I) 15L= 15 LED (IES Type III) 20L= 20 LED (IES Type V) 	<p>Color Temperature:</p> <ul style="list-style-type: none"> 2K = 580nm - Amber 3K = 3000K 4K = 4000K 5K = 5000K 	<p>Voltage:</p> <ul style="list-style-type: none"> UV Universal Voltage shall range from 120V-277V
<p>xL</p>	<p>xK</p>	<p>UV</p>							
<p>Source:</p> <ul style="list-style-type: none"> 10L= 10 LED (IES Type I) 15L= 15 LED (IES Type III) 20L= 20 LED (IES Type V) 	<p>Color Temperature:</p> <ul style="list-style-type: none"> 2K = 580nm - Amber 3K = 3000K 4K = 4000K 5K = 5000K 	<p>Voltage:</p> <ul style="list-style-type: none"> UV Universal Voltage shall range from 120V-277V 							
<p>Finish TGIC thermoset polyester powder coat paint on fixture and shaft</p>	<table border="0" style="width: 100%;"> <tr> <td style="width: 50%; vertical-align: top;"> <p>Cat. No.: Color:</p> <ul style="list-style-type: none"> BLS Black Gloss Smooth BLT Black Matte Textured DBS Dark Bronze Gloss Smooth DBT Dark Bronze Matte Textured GTT Graphic Matte Textured LGS Light Grey Gloss Smooth </td> <td style="width: 50%; vertical-align: top;"> <p>Cat. No.: Color:</p> <ul style="list-style-type: none"> LGT Light Grey Matte Textured PSS Platinum Silver Gloss Smooth VGT Verde Green Matte Textured WHS White Gloss Smooth WHT White Matte Textured CC¹ Custom Color </td> </tr> </table> <p>¹Custom colors subject to additional charges, minimum quantities and extended lead times. Consult representative. Custom color description: _____</p>			<p>Cat. No.: Color:</p> <ul style="list-style-type: none"> BLS Black Gloss Smooth BLT Black Matte Textured DBS Dark Bronze Gloss Smooth DBT Dark Bronze Matte Textured GTT Graphic Matte Textured LGS Light Grey Gloss Smooth 	<p>Cat. No.: Color:</p> <ul style="list-style-type: none"> LGT Light Grey Matte Textured PSS Platinum Silver Gloss Smooth VGT Verde Green Matte Textured WHS White Gloss Smooth WHT White Matte Textured CC¹ Custom Color 				
<p>Cat. No.: Color:</p> <ul style="list-style-type: none"> BLS Black Gloss Smooth BLT Black Matte Textured DBS Dark Bronze Gloss Smooth DBT Dark Bronze Matte Textured GTT Graphic Matte Textured LGS Light Grey Gloss Smooth 	<p>Cat. No.: Color:</p> <ul style="list-style-type: none"> LGT Light Grey Matte Textured PSS Platinum Silver Gloss Smooth VGT Verde Green Matte Textured WHS White Gloss Smooth WHT White Matte Textured CC¹ Custom Color 								



Standard and Optional Features

Battery Back-up

Cat. No. | **EM**
| **No Option**

Internal battery pack provides 90 minutes of supplemental light at 50% of initial lamp lumens.

NOTE: For CB32 only.



Battery Back-up

Optional Duplex Receptacle

Cat. No. | **DR**
| **DR-GFI**
| **No Option**

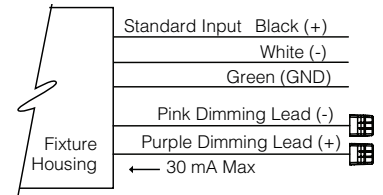
(CB32 only) Mounted 18" from bottom of shaft, in a cast aluminum box that is internally welded and sealed with a gasketed While-In-Use cover with locking tab. Painted to match bollard.

DR weather proof duplex receptacle rated 20A, 125V.

DR-GFI weather proof duplex receptacle with ground fault circuit interrupter rated 20A, 125V.

0-10V Dimming Interface

Driver has a 0-10V dimming interface with a dimming range of 10-100%. Is compatible with most control systems.





Lumen Data

Electrical Drive Current - @350mA						
	Type 1		Type 3		Type 5	
Volts - AC	Amps - AC	System Watts	Amps - AC	System Watts	Amps - AC	System Watts
120	0.11	13	0.16	19	0.21	25
208	0.06	13	0.09	19	0.12	25
240	0.05	13	0.08	19	0.10	25
277	0.05	13	0.07	19	0.09	25

B.U.G. Rating (TM15) in Lumens where B = Backlight, U = Uplight, G = Glare			
Temperature	TYPE 1	TYPE 3	TYPE 5
3000K	B0 U2 G1	B0 U2 G1	B1 U3 G1
4000K	B0 U2 G1	B0 U2 G1	B1 U3 G1
5000K	B0 U2 G1	B0 U2 G1	B1 U3 G1

Absolute Lumens			
Temperature	TYPE 1	TYPE 3	TYPE 5
3000K	557	785	1099
4000K	571	805	1127
5000K	578	814	1140

LED performance and lumen output continues to improve at a rapid pace. For custom optics and color temperature configurations, contact factory.