

Traditional EL188

120 VOLT DIE-CAST ALUMINUM, LED

Type:	Mounting Options:	Approvals:
Job:		
Fixture Catalog number:		
<hr/> <div style="display: flex; justify-content: space-between;"> Fixture Module and Finish Hood and Finish </div>		<hr/> Ordered Separately from Fixture See pages 2-3

Specifications

Hood: Spun aluminum with low copper alloy aluminum die-cast reflector and hinge assembly. The hood is painted to order and the reflector is always painted white. The hood reflector assembly is removable with a no-tool stainless steel lever latch. Hood is available in three styles: Pagoda, Cone, and Mushroom.

Husk: Die-cast low copper alloy aluminum with stainless steel hinge / latch assembly.

Globe: Fluted glass.

Stem: 8" schedule 40 aluminum pipe with K" NPT at bottom plus solid brass locknut for secure mounting.

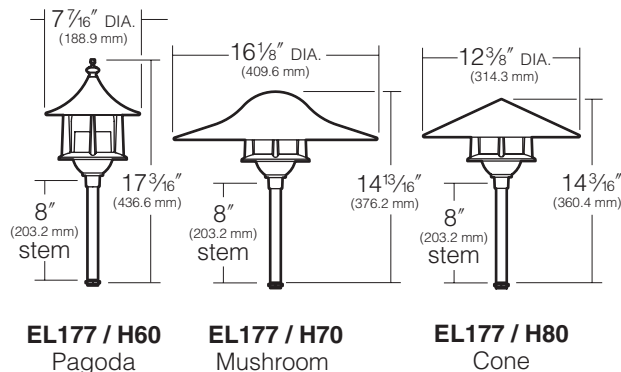
Wiring: No. 18AWM rated 105°C.

Optical System: A total of 3 LED emitters configured in a rectangular array comprised together as a module. Available in 3500K, 4200K and 5100K.

Driver: Universal Voltage from 120 to 277V with a ±10% tolerance. -40°F. starting temperature. All drivers are Underwriters Laboratories recognized.

Finish: Each luminaire receives a fade and abrasion resistant, electrostatically applied, thermally cured, triglycidal isocyanurate (TGIC) polyester powdercoat finish. Standard colors are Black (**BL**), Dark Bronze (**DB**), and Verde Green (**GR**).

Certification: UL Listed to U.S. and Canadian safety standards for wet locations.

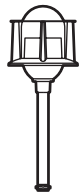


NOTE: Fixture modules and hoods may be ordered separately.



ORDERING INFORMATION

Fixture	Source	Finish
EL188/3L3KUV ¹ /BL	5.2W, 3 LED's, 3000K Alum/	Black
EL188/3L4KUV ¹ /BL	5.2W, 3 LED's, 4200K Alum/	Black
EL188/3L5KUV ¹ /BL	5.2W, 3 LED's, 5100K Alum/	Black
EL188/3L3KUV ¹ /DB	5.2W,, 3 LED's, 3000KAlum/	Dark Bronze
EL188/3L4KUV ¹ /DB	5.2W,, 3 LED's, 4200KAlum/	Dark Bronze
EL188/3L5KUV ¹ /DB	5.2W, 3 LED's, 5100K Alum/	Dark Bronze
EL188/3L3KUV ¹ /GR	5.2W, 3 LED's, 3000K Alum/	Verde Green
EL188/3L4KUV ¹ /GR	5.2W, 3 LED's, 4200K Alum/	Verde Green
EL188/3L5KUV ¹ /GR	5.2W, 3 LED's, 5100K Alum/	Verde Green



¹Universal Voltage from 120 to 277V with a ±10% tolerance. For 5.2W, Max Amps. are .040 for 120V, .030 for 208V, .020 for 240V, .020 for 277V

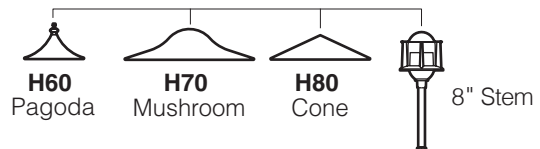
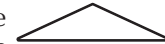
Pagoda Hood	Material / Finish
H60BL	Alum. / Black
H60DB	Alum. / Dark Bronze
H60GR	Alum. / Verde Green



Mushroom Hood	Material / Finish
H70BL	Alum. / Black
H70DB	Alum. / Dark Bronze
H70GR	Alum. / Verde Green



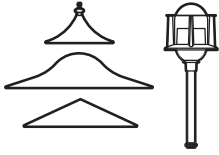
Cone Hood	Material / Finish
H80BL	Alum. / Black
H80DB	Alum. / Dark Bronze
H80GR	Alum. / Verde Green



KIM LIGHTING RESERVES THE RIGHT TO CHANGE SPECIFICATIONS WITHOUT NOTICE.

Traditional EL188

120 VOLT DIE-CAST ALUMINUM, LED



Mounting Options

Ordered Separately from Fixture

Landscape Light Post by Engineered Products Co.

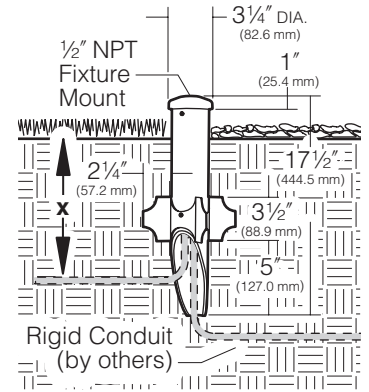
Cat. No.
| EP17
| No Option

PVC fixture molded in black with K" NPT mount is corrosion free and UV resistant. Replaces EMT, conduit connectors and weatherproof boxes. 100% shatter resistant against denting and cracking. Angled bottom to eliminate cable congestion.

17K" post length

NOTE: EP17 should be used with a UL listed fixture and grounding means (i.e., third wire) suitable for use in wet locations.

"x" = required depth of conduit per local codes.



Architectural Junction Box

Cat. No. Finish
| JB1/BL Black
| JB1/DB Dark Bronze
| JB1/GR Verde
 Green

| No Option

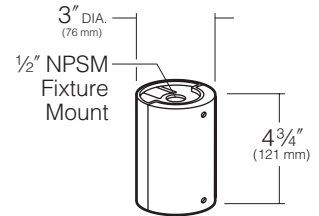
Die-cast aluminum with K" NPSM fixture mount. Internal set screw provided for locking position. Two K" NPSM in bottom, 17 cu in. internal volume. Super TGIC powder coat paint over clear anodizing and titanated zirconium conversion coating.

NOTE: May also be used to hard mount low voltage fixtures.

Application Notes

- Elevates Accent Lights above ground cover to prevent foliage from blocking the light.
- Elevates Path Lights above ground cover to achieve a greater light throw.

CAUTION: Junction box must be installed high enough to avoid contact with soil or standing water.

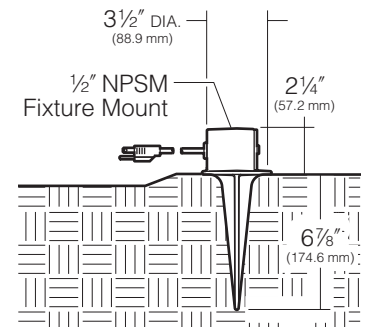


Portable Spear Mount

Cat. No.
| J-25N
| No Option

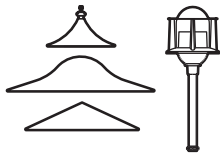
Cast iron with K" NPSM fixture mount. Hot dip galvanized finish. 5.5 cu in. splice compartment. (SJTW-A) 3 wire cord and plug.

9' cord length



Traditional EL188

120 VOLT DIE-CAST ALUMINUM, LED



Mounting Options

Ordered Separately from Fixture

Brass In-grade Architectural Junction Box

- Cat. No.
- | **JBR-2**
- | **JBR-3**
- | **JBR-21**
- | **JBR-24**
- | **No Option**

Die-cast brass with K" NPSM fixture mount and die-cast cover. Internal set screw provided for locking position. 18 cu in. internal volume.

- JBR-2** (2) K" NPT in bottom
- JBR-3** (2) L" NPT in bottom
- JBR-21** (2) K" NPT in sides, (2) K" NPT in bottom
- JBR-24** (4) K" NPT in sides, (2) K" NPT in bottom

All side taps provided with plugs.

NOTE: May also be used to hard mount low voltage fixtures.

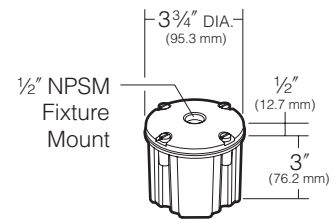
25 Year Limited Warranty:

Solid brass junction boxes are warranted for 25 years, from date of sale, against manufacturing defects and failure due to corrosion.

Application Notes

- Creates a flush-mounted appearance.
- May be cast in concrete for increased stability.

CAUTION: Fixture stem and swivel must not contact soil or standing water. Provide drainage away from junction box.



Brass In-grade Staked Junction Box

- Cat. No.
- | **JBR30**
- | **No Option**

JBR30 BRASS IN-GRADE STAKED JUNCTION BOX

Die-cast brass with K" NPSM fixture mount and die-cast cover. Internal set screw provided for locking position. 18 cu in. internal volume.

(2) K" NPT in bottom with (2) 19" long brass stakes

NOTE: May also be used to hard mount low voltage fixtures.

Brass In-grade Staked Junction Box with Cord

- Cat. No.
- | **JBR32**
- | **No Option**

JBR32 BRASS IN-GRADE STAKED JUNCTION BOX WITH CORD

Die-cast brass with K" NPSM fixture mount and die-cast cover. Internal set screw provided for locking position. 18 cu in. internal volume. (SJTW-A) 3 wire cord and plug.

(2) 19" long brass stakes with 9' cord

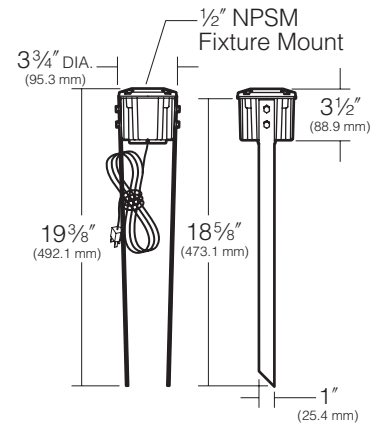
25 Year Limited Warranty:

Solid brass junction boxes are warranted for 25 years, from date of sale, against manufacturing defects and failure due to corrosion.

Application Notes

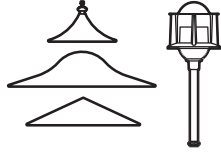
- Creates a flush-mounted appearance.
- May be cast in concrete for increased stability.

CAUTION: Fixture stem and swivel must not contact soil or standing water. Provide drainage away from junction box.



Traditional EL188

120 VOLT DIE-CAST ALUMINUM, LED



Lumen Data

Spectroradiometric			
	3000K	4200K	5100K
Correlated Color Temp. CCT (K)	2800 to 3175K	3800 to 4600K	4600 to 5600K
Color Rendering Index (CRI)	≥75	≥70	≥65

ELECTRICAL - Drive Current @350mA (3 LEDs)		
Volts -AC	Amps - AC	System Watts
120	0.04	5.2
208	0.03	5.2
240	0.02	5.2
277	0.02	5.2

Absolute Lumens (3 LEDs)	
Temperature	EL188/3L*K
3000K	64.5
4200K	74.6
5100K	82.5

Lumens Per Watt (3 LEDs)	
Temperature	EL188/3L*K
3000K	12.4
4200K	14.3
5100K	15.9