

**INT White**  
FLOODLIGHT LUMINAIRE

intent

**FEATURES**

- Architectural linear product for wall and ground mounting applications such as sign lighting, wall washing, wall grazing, and building accent lighting
- Linear run capabilities for even, uniform light distribution with no scalloping effect
- Lumen range from 2,803 to 15,162 lm
- UL/cUL listed for wet locations, IP66 and 3G vibration rated



Intent

**RELATED PRODUCTS**

KFL      LTV8 (RGBW)      INT (RGBW COLOR)



**CONTROL TECHNOLOGY**



CONFIGURATION	WEIGHT	CONFIGURATION	WEIGHT
INT-2-24L-K	16 lbs / 7.25 kg	INT-2-24L-A6	32 lbs / 14.51 kg
INT-3-36L-K	20 lbs / 9.07 kg	INT-3-36L-A6	34 lbs / 15.42 kg
INT-4-48L-K	23 lbs / 10.43 kg	INT-4-48L-A6	37 lbs / 16.78 kg
INT-2-24L-A3	24 lbs / 10.88 kg	INT-2-24L-A12	34 lbs / 15.42 kg
INT-3-36L-A3	25 lbs / 11.33 kg	INT-3-36L-A12	36 lbs / 16.32 kg
INT-4-48L-A3	27 lbs / 12.24 kg	INT-4-48L-A12	38 lbs / 17.23 kg

**SPECIFICATIONS**

**CONSTRUCTION**

- Extruded housing, low copper (<0.1% Cu) Aluminum Alloy 6063-T6 and .160" minimum wall thickness.
- Extrusion includes an integral visor.
- Die-cast driver compartment and end caps, low copper (<0.6% Cu) Aluminum Alloy 360 and .100" minimum wall thickness.
- LED and driver compartment rated for IP66 ingress protection.
- Finish: fade and abrasion resistant, electrostatically applied, thermally cured, triglycidal isocyanurate (TGIC) polyester powdercoat.
- Lens is impact resistant 0.157" tempered glass with anti-reflective coating.
- Lens is sealed in with Reactive Back Bedding Sealant.
- Driver compartment has a one-piece molded silicone gasket.
- All external fasteners are stainless steel.

**OPTICS**

- LEDs mount to a metal printed circuit board assembly (MCPCB).
- Optical lenses are clear injection molded PMMA acrylic.

**INSTALLATION**

- Fixtures must be grounded in accordance with national, state and/or local electrical codes. Failure to do so may result in serious personal injury

**ELECTRICAL**

- Universal voltage, 120 through 277V with a ±10% tolerance. Driver is Underwriters Laboratories listed.
- High voltage configurations, 347/480. Driver is Underwriters Laboratories listed.
- Dimming range from 10% to 100% through the use of standard 0-10V interface on the programmable driver.
- Drivers have greater than a 0.9 power factor, less than 20% harmonic distortion, and be suitable for operation in -40°C to 55°C ambient environments.
- Standard configuration has dimming leads pulled off the fixture.
- Optional factory programmed dimming profile.
- "Thermal Shield", secondary side, thermistor provides protection for the sustainable life of LED module and electronic components.
- Luminaire capable of operating at 100% brightness in a 40°C environment. Both driver and optical array have integral thermal protection that will dim the luminaire upon detection of temperatures in excess of 85°C.
- Surge protection: 20,000A in series.
- SF for 120, 277, 347 Line Volts, DF for 208, 240, 480 Line Volts.
- Wiring: No. 18AWM rated 150°C.
- External cable connections are IP68 rated

**CERTIFICATIONS AND LISTINGS.**

- Listed to UL1598 and CSA C22.2#250.0-24 for wet locations and 40°C ambient temperatures.
- IP66 certified.
- RoHS compliant.
- ANSI C136.31-2010 Vibration tested and compliant 3G
- IEC 66262 Mechanical Impact Code IK07 three and four foot fixture
- IEC 66262 Mechanical Impact Code IK08 two foot fixture

**WARRANTY**

- 5 year warranty.

KEY DATA	
LUMEN RANGE	2,803-15,162
WATTAGE RANGE	28.6-123.4
EFFICACY RANGE (LPW)	94.4-135
REPORTED LIFE (HOURS)	L70/60,000

Notes:  
<sup>1</sup> IK08 two foot fixture  
<sup>2</sup> IK07 three and four foot fixtures

**INT White**  
FLOODLIGHT LUMINAIRE

**ORDERING GUIDE**

**Example:** INT-2-24L-60-4K9-WF-UNV-A6-CR-MB-GTT-PC

CATALOG #

**HOUSING**

INTENT		Length		#L-Nom. Watts		CCT/CRI		Beam Spread		Voltage		Mounting		
INT Flood Luminaire	2	2 Foot	<b>24L-30</b>	24LED, 30W, 3,000 lm	<b>5K7</b>	5000K, 70 CRI	<b>N</b>	Narrow	<b>UNV</b>	Universal 120-277V	<b>K</b>	Threaded Knuckle		
			<b>24L-35</b>	24LED, 40W, 4,000 lm	<b>5K8</b>	5000K, 80 CRI	<b>NM</b>	Narrow Medium	<b>347</b>	347V	<b>A3<sup>6</sup></b>	3" Adjustable arm		
			<b>24L-60</b>	24LED, 60W, 6,000 lm	<b>5K9</b>	5000K, 90 CRI	<b>MF</b>	Medium Flood	<b>480</b>	480V	<b>A6<sup>6</sup></b>	6" Adjustable arm		
			3	3 Foot	<b>36L-40</b>	36LED, 40W, 4,500 lm	<b>4K7</b>	4000K, 70 CRI	<b>WF</b>	Wide Flood			<b>A12</b>	12" Adjustable arm
					<b>36L-60</b>	36LED, 60W, 6,000 lm	<b>4K8</b>	4000K, 80 CRI	<b>HF</b>	Horizontal Flood				
					<b>36L-95</b>	36LED, 95W, 9,000 lm	<b>4K9</b>	4000K, 90 CRI	<b>WG</b>	Wall Graze				
	4	4 Foot	<b>48L-55</b>	48LED, 55W, 6,000 lm	<b>3K7</b>	3000K, 70 CRI	<b>WW</b>	Asymmetric Wall Wash						
			<b>48L-80</b>	48LED, 80W, 8,000 lm	<b>3K8</b>	3000K, 80 CRI								
			<b>48L-125</b>	48LED, 125W, 12,000 lm	<b>3K9</b>	3000K, 90 CRI								

Cable Ready		Input Wiring		Color		Options	
<b>CR</b>	Cable Ready	<b>LM</b>	Left Mounting (Default)	<b>BLS</b>	Black Gloss Smooth	<b>LGT</b>	Light Grey Matte Textured
<b>NCR</b>	Non Cable Ready	<b>RM</b>	Right Mounting	<b>BLT</b>	Black Matte Textured	<b>PSS</b>	Platinum Silver Gloss Smooth
		<b>MB<sup>1</sup></b>	Mounting Bracket	<b>DBS</b>	Dark Bronze Gloss Smooth	<b>VGT</b>	Verde Green Matte Textured
				<b>DBT</b>	Dark Bronze Matte Textured	<b>WHS</b>	White Gloss Smooth
				<b>GTT</b>	Graphite Matte Textured	<b>WHT</b>	White Matte Textured
				<b>LGS</b>	Light Grey Gloss Smooth	<b>Color Option</b>	
						<b>CC</b>	Custom Color
						<b>CLA- A<sup>3</sup></b>	Clear Anodize
						<b>SF</b>	Single Fuse (120/277/347)
						<b>DF</b>	Double Fuse (208/240/480)
						<b>DL<sup>2</sup></b>	Diffused Lens
						<b>LVR</b>	Louwer
						<b>PC<sup>7</sup></b>	Button Photocontrol

**Mounting Accessories**

**Mounting Accessories** | **Accessory Colors**

<b>J-25N<sup>4</sup></b>	Stake	<b>INTKIT/ INT-C2FT</b>	2ft Connector Cable	<b>BLS</b>	Black Gloss Smooth	<b>LGT</b>	Light Grey Matte Textured
<b>JB1<sup>4</sup></b>	Architectural Junction Box	<b>INTKIT/ INT-C3FT</b>	3ft Connector Cable	<b>BLT</b>	Black Matte Textured	<b>PSS</b>	Platinum Silver Gloss Smooth
<b>JBR<sup>4</sup></b>	Composite In-grade Architectural Junction Box	<b>INTKIT/ INT-C4FT</b>	4ft Connector Cable	<b>DBS</b>	Dark Bronze Gloss Smooth	<b>VGT</b>	Verde Green Matte Textured
<b>SM18<sup>4</sup></b>	Stanchion Mount	<b>INTKIT/ INT-C5FT</b>	5ft Connector Cable	<b>DBT</b>	Dark Bronze Matte Textured	<b>WHS</b>	White Gloss Smooth
<b>INT-WMT-A</b>	Wall Mounting Template	<b>INTKIT/ INT-C10FT</b>	10ft Connector Cable	<b>GTT</b>	Graphite Matte Textured	<b>WHT</b>	White Matte Textured
		<b>INTKIT/ INT-CK23<sup>5</sup></b>	2ft-3ft Connector Kit	<b>LGS</b>	Light Grey Gloss Smooth	<b>Color Option</b>	
		<b>INTKIT/ INT-CK24<sup>5</sup></b>	2ft-4ft Connector Kit			<b>CC<sup>3</sup></b>	Custom Color
		<b>INTKIT/ INT-CK33<sup>5</sup></b>	3ft-3ft Connector Kit			<b>CLA- A<sup>3</sup></b>	Clear Anodize
		<b>INTKIT/ INT-CK34<sup>5</sup></b>	3ft-4ft Connector Kit				
		<b>INTKIT/ INT-CK44<sup>5</sup></b>	4ft-4ft Connector Kit				

The number of cables will be one less than the number of fixtures in continuous row (i.e. 1 cable required for 2 fixtures)

Notes:

- 2ft Intent with adjustable arm input wiring only
- Only available with WF on Static White configuration
- Recommended for harsh environment, salt spray 3,000 hours rated
- Order in set of 2 per fixture
- Connector Kit will have Decorative Cover Included. Color is needed for the decorative cover
- 3G rated
- Not available in 480V

# INT White

FLOODLIGHT LUMINAIRE

## DELIVERED LUMENS

SECTION LENGTH: 2ft

LED COUNT: 24L

Drive Current (mA)	Nominal Lumen Package	Nominal Watts	Beam Spread		Lens Option	Beam Angles (H x V)	NEMA Type	3K7			4K7			5K7		
								Lumens	Max Candela	LPW	Lumens	Max Candela	LPW	Lumens	Max Candela	LPW
350	3,000	30	N	Narrow	Clear	17° H x 17°V	3H x 3V	3319	26327	116.1	3490	27683	122	3563	28263	124.6
			NM	Narrow Medium	Clear	30°H x 30°V	4H x 4V	3332	10737	116.5	3504	11291	123	3577	11527	125.1
			MF	Medium Flood	Clear	63°H x 63°V	5H x 5V	3226	3491	112.8	3391	3670	119	3462	3746	121.0
			WF	Wide Flood	Clear	80°H x 80°V	6H x 6V	3392	2541	118.6	3566	2671	125	3640	2727	127.3
					Diffused	77°H x 77°V	7H x 6V	2803	1651	98.0	2947	1735	103	3009	1772	105.2
			HF	Horizontal Flood	Clear	54°H x 22°V	5H x 5V	3061	5269	107.0	3218	5539	113	3285	5655	114.9
			WG	Wall Graze	Clear	52° H x 12 °V	5H x 3V	3385	11687	118.3	3559	12288	124	3632	12540	127.0
WW	Wall Wash	Clear	30°H x 20°V	4H x 3V	3136	11883	109.6	3297	12493	115	3365	12751	117.7			
500	4,000	35	N	Narrow	Clear	17° H x 17°V	3H x 3V	4608	36552	115.5	4845	38432	121	4945	39226	123.9
			NM	Narrow Medium	Clear	30°H x 30°V	4H x 4V	4626	14908	115.9	4864	15674	122	4965	15999	124.4
			MF	Medium Flood	Clear	63°H x 63°V	5H x 5V	4478	4846	112.2	4708	5096	118	4805	5201	120.4
			WF	Wide Flood	Clear	80°H x 80°V	6H x 6V	4708	3527	118.0	4950	3708	124	5053	3785	126.6
					Diffused	77°H x 77°V	7H x 6V	3891	2291	97.5	4091	2409	103	4176	2459	104.7
			HF	Horizontal Flood	Clear	54°H x 22°V	5H x 5V	4249	7314	106.5	4467	7690	112	4560	7850	114.3
			WG	Wall Graze	Clear	52° H x 12 °V	5H x 3V	4698	16221	117.8	4940	17057	124	5042	17409	126.4
WW	Wall Wash	Clear	30°H x 20°V	4H x 3V	4353	16495	109.1	4577	17344	115	4672	17704	117.1			
800	6,000	60	N	Narrow	Clear	17° H x 17°V	3H x 3V	6797	53916	109.1	7146	56685	115	7294	57859	117.0
			NM	Narrow Medium	Clear	30°H x 30°V	4H x 4V	6823	21987	109.5	7174	23119	115	7323	23599	117.5
			MF	Medium Flood	Clear	63°H x 63°V	5H x 5V	6604	7148	106.0	6944	7515	111	7088	7671	113.7
			WF	Wide Flood	Clear	80°H x 80°V	6H x 6V	6945	5204	111.4	7302	5471	117	7453	5584	119.6
					Diffused	77°H x 77°V	7H x 6V	5740	3380	92.1	6035	3554	97	6160	3627	98.8
			HF	Horizontal Flood	Clear	54°H x 22°V	5H x 5V	6267	10789	100.8	6589	11296	105.5	6726	11593	107.8
			WG	Wall Graze	Clear	52° H x 12 °V	5H x 3V	6930	23928	111.2	7286	25157	116.9	7437	25679	119.3
WW	Wall Wash	Clear	30°H x 20°V	4H x 3V	6421	24331	103.0	6750	25578	108.3	6891	26112	110.6			

# INT White

FLOODLIGHT LUMINAIRE

## DELIVERED LUMENS

SECTION LENGTH: 3ft

LED COUNT: 36L

Drive Current (mA)	Nominal Lumen Package	Nominal Watts	Beam Spread		Lens Option	Beam Angles (H x V)	NEMA Type	3K7			4K7			5K7		
								Lumens	Max Candela	LPW	Lumens	Max Candela	LPW	Lumens	Max Candela	LPW
350	4,500	40	N	Narrow	Clear	17° H x 17°V	3H x 3V	5038	39964	119.9	5297	42018	126.1	5407	42890	128.7
			NM	Narrow Medium	Clear	30°H x 30°V	4H x 4V	5058	16300	120.4	5318	17137	126.6	5429	17495	129.2
			MF	Medium Flood	Clear	63°H x 63°V	5H x 5V	4896	5299	116.5	5147	5570	122.5	5254	5686	125.0
			WF	Wide Flood	Clear	80°H x 80°V	6H x 6V	5148	3857	122.5	5413	4056	128.8	5525	4140	131.5
					Diffused	77°H x 77°V	7H x 6V	4255	2506	101.3	4473	2634	106.5	4566	2689	108.7
			HF	Horizontal Flood	Clear	54°H x 22°V	5H x 5V	4646	7873	110.6	4884	8277	116.2	4986	8529	118.7
			WG	Wall Graze	Clear	52° H x 12 °V	5H x 3V	5137	17737	122.3	5401	18649	128.5	5513	19036	131.2
			WW	Wall Wash	Clear	30°H x 20°V	4H x 3V	4760	18037	113.3	5004	18962	119.1	5108	19356	121.6
500	6,000	60	N	Narrow	Clear	17° H x 17°V	3H x 3V	6912	54829	116.2	7267	57645	122.1	7418	58843	124.7
			NM	Narrow Medium	Clear	30°H x 30°V	4H x 4V	6939	22361	116.6	7295	23508	122.6	7447	23998	125.2
			MF	Medium Flood	Clear	63°H x 63°V	5H x 5V	6716	7269	112.9	7061	7642	118.7	7208	7801	121.1
			WF	Wide Flood	Clear	80°H x 80°V	6H x 6V	7062	5291	118.7	7425	5563	124.8	7580	5679	127.4
					Diffused	77°H x 77°V	7H x 6V	5837	3437	98.1	6137	3614	103.1	6264	3689	105.3
			HF	Horizontal Flood	Clear	54°H x 22°V	5H x 5V	6373	10799	107.1	6701	11355	112.6	6840	11591	115.0
			WG	Wall Graze	Clear	52° H x 12 °V	5H x 3V	7047	24332	118.4	7409	25582	124.5	7564	26118	127.1
			WW	Wall Wash	Clear	30°H x 20°V	4H x 3V	6529	24740	109.7	6865	26013	115.4	7008	26556	117.8
800	9,000	95	N	Narrow	Clear	17° H x 17°V	3H x 3V	10475	83092	111.8	11013	87360	117.5	11242	89177	119.9
			NM	Narrow Medium	Clear	30°H x 30°V	4H x 4V	10516	33888	112.2	11056	35629	118.0	11286	36370	120.2
			MF	Medium Flood	Clear	63°H x 63°V	5H x 5V	10179	11017	108.6	10701	11582	114.2	10924	11823	116.5
			WF	Wide Flood	Clear	80°H x 80°V	6H x 6V	10703	8020	114.2	11253	8432	120.1	11487	8607	122.6
					Diffused	77°H x 77°V	7H x 6V	8846	5209	94.4	9300	5476	99.2	9494	5591	101.3
			HF	Horizontal Flood	Clear	54°H x 22°V	5H x 5V	9659	16369	103.1	10155	17209	108.4	10366	17567	110.7
			WG	Wall Graze	Clear	52° H x 12 °V	5H x 3V	10680	36877	114.0	11229	38772	119.8	11463	39580	122.3
			WW	Wall Wash	Clear	30°H x 20°V	4H x 3V	9895	37496	105.6	10404	39425	111.0	10620	40243	113.6

**INT White**  
FLOODLIGHT LUMINAIRE

**DELIVERED LUMENS**

SECTION LENGTH: 4ft

LED COUNT: 48L

Drive Current (mA)	Nominal Lumen Package	Nominal Watts	Beam Spread		Lens Option	Beam Angles (H x V)	NEMA Type	3K7			4K7			5K7		
								Lumens	Max Candela	LPW	Lumens	Max Candela	LPW	Lumens	Max Candela	LPW
350	6,000	55	N	Narrow	Clear	17° H x 17°V	3H x 3V	6642	52687	123.1	6983	55392	129.4	7128	56543	132.1
			NM	Narrow Medium	Clear	30°H x 30°V	4H x 4V	6668	21488	123.6	7011	22594	129.9	7156	23061	132.6
			MF	Medium Flood	Clear	63°H x 63°V	5H x 5V	6454	6986	119.6	6786	7345	125.8	6927	7497	128.4
			WF	Wide Flood	Clear	80°H x 80°V	6H x 6V	6787	5152	125.8	7135	5416	132.2	7284	5530	135.0
					Diffused	77°H x 77°V	7H x 6V	5609	3303	103.9	5897	3473	109.3	6020	3545	111.6
			HF	Horizontal Flood	Clear	54°H x 22°V	5H x 5V	6124	10652	113.5	6439	11200	119.3	6573	11385	121.8
			WG	Wall Graze	Clear	52° H x 12 °V	5H x 3V	6772	23382	125.5	7120	24584	132.0	7268	25095	134.7
			WW	Wall Wash	Clear	30°H x 20°V	4H x 3V	6275	23778	116.3	6597	24998	122.3	6734	25517	124.8
500	8,000	80	N	Narrow	Clear	17° H x 17°V	3H x 3V	9217	73114	117.3	9690	76865	123.3	9892	78468	125.8
			NM	Narrow Medium	Clear	30°H x 30°V	4H x 4V	9253	29818	117.7	9728	31349	123.8	9931	32003	126.3
			MF	Medium Flood	Clear	63°H x 63°V	5H x 5V	8956	9693	113.9	9416	10191	119.8	9612	10403	122.3
			WF	Wide Flood	Clear	80°H x 80°V	6H x 6V	9418	7149	119.8	9901	7516	126.0	10107	7672	128.6
					Diffused	77°H x 77°V	7H x 6V	7783	4583	99.0	8183	4819	104.1	8353	4919	106.3
			HF	Horizontal Flood	Clear	54°H x 22°V	5H x 5V	8499	14783	108.1	8935	15541	113.7	9121	15864	116.0
			WG	Wall Graze	Clear	52° H x 12 °V	5H x 3V	9398	32450	119.6	9880	34115	125.7	10086	34825	128.3
			WW	Wall Wash	Clear	30°H x 20°V	4H x 3V	8707	32994	110.8	9154	34688	116.5	9344	35408	118.9
800	12,000	125	N	Narrow	Clear	17° H x 17°V	3H x 3V	13627	108096	110.5	14327	113648	116.1	14625	116012	118.6
			NM	Narrow Medium	Clear	30°H x 30°V	4H x 4V	13680	44085	110.9	14383	46350	116.6	14682	47314	119.0
			MF	Medium Flood	Clear	63°H x 63°V	5H x 5V	13241	14331	107.3	13921	15068	112.9	14211	15381	115.2
			WF	Wide Flood	Clear	80°H x 80°V	6H x 6V	14127	10724	114.5	14853	11275	120.4	15162	11510	122.6
					Diffused	77°H x 77°V	7H x 6V	11676	6876	94.7	12276	7230	99.5	12531	7380	101.8
			HF	Horizontal Flood	Clear	54°H x 22°V	5H x 5V	12565	21855	101.9	13210	22977	107.1	13485	23456	109.4
			WG	Wall Graze	Clear	52° H x 12 °V	5H x 3V	13894	47974	112.6	14608	50439	118.4	14911	51486	120.9
			WW	Wall Wash	Clear	30°H x 20°V	4H x 3V	12873	48781	104.4	13534	51285	109.7	13815	52350	112.0

# INT White

FLOODLIGHT LUMINAIRE

## PHOTOMETRY

### INT-4-48L-125-4K7-N

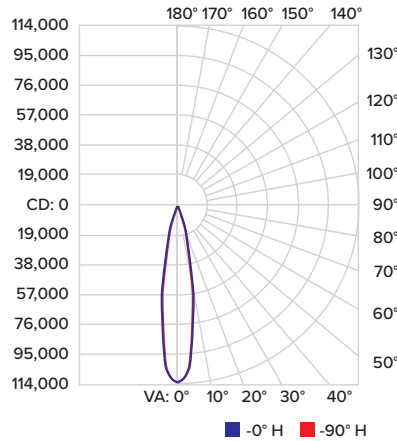
#### LUMINAIRE DATA

Description	4000K, 70CRI
Delivered Lumens	14327
Watts	123.35
Efficacy	116.15
Beam Angls (HxV)	17.6° x 18°
Center Beam Candlepower	113,648

#### LUMENS PER ZONE

	Efficiency	Lumens	Horizontal Spread	Vertical Spread
Field (10%)	77.60%	11,111.90	33.3	33
Beam (50%)	38.40%	5,495.80	17.6	18
Total	100%	14,326.80		

#### ISOFOOT CANDLE PLOT



#### ILLUMINANCE AT A DISTANCE

	Center Beam fc	Beam Width	
56.2 ft	36.00 fc	17.8 ft	17.4 ft
112.4 ft	9.00 fc	35.6 ft	34.8 ft
168.6 ft	4.00 fc	53.4 ft	52.2 ft
224.7 ft	2.25 fc	71.2 ft	69.5 ft
280.9 ft	1.44 fc	89.0 ft	86.9 ft
3371 ft	1.00 fc	106.8 ft	104.3 ft

■ Vertical Spread: 18.0° ■ Horizpread: 17.6°

### INT-4-48L-125-4K7-NM

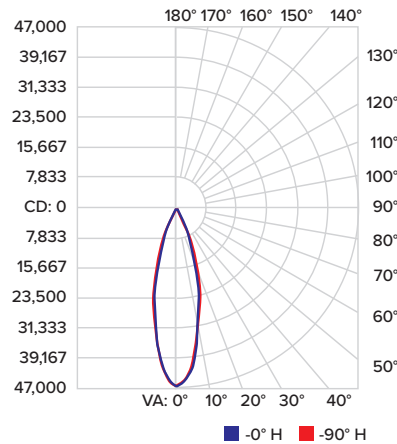
#### LUMINAIRE DATA

Description	4000K, 70CRI
Delivered Lumens	14383
Watts	123.35
Efficacy	116.60
Beam Angls (HxV)	30.1° x 28.6°
Center Beam Candlepower	46,350

#### LUMENS PER ZONE

	Efficiency	Lumens	Horizontal Spread	Vertical Spread
Field (10%)	85.50%	12,298.30	54.2	53.4
Beam (50%)	46.10%	6,627.50	30.1	28.6
Total	100%	14,383.20		

#### ISOFOOT CANDLE PLOT



#### ILLUMINANCE AT A DISTANCE

	Center Beam fc	Beam Width	
35.9 ft	36.00 fc	18.3 ft	19.3 ft
71.8 ft	8.99 fc	36.6 ft	38.7 ft
107.6 ft	4.00 fc	54.9 ft	58.0 ft
143.5 ft	2.25 fc	73.2 ft	77.3 ft
179.4 ft	1.44 fc	91.6 ft	96.6 ft
215.3 ft	1.00 fc	109.9 ft	116.0 ft

■ Vertical Spread: 28.6° ■ Horizpread: 30.1°

**INT White**  
FLOODLIGHT LUMINAIRE

**PHOTOMETRY CONTINUED**

**INT-4-48L-125-4K7-MF**

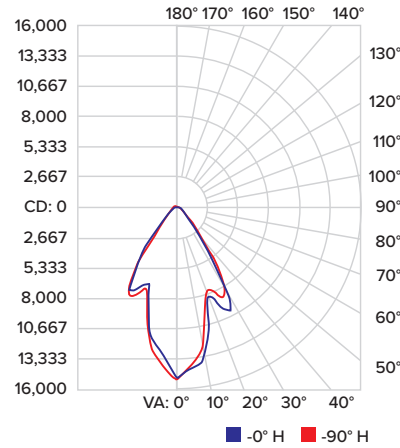
**LUMINAIRE DATA**

Description	4000K, 70CRI
Delivered Lumens	13921
Watts	123.35
Efficacy	112.86
Beam Angls (HxV)	63.8° x 63.5°
Center Beam Candlepower	15,068

**LUMENS PER ZONE**

	Efficiency	Lumens	Horizontal Spread	Vertical Spread
Field (10%)	90.10%	12,541.60	90.9	92.1
Beam (50%)	65.80%	9,158.90	63.8	51
Total	100%	13,921.10		

**ISOFOOT CANDLE PLOT**



**ILLUMINANCE AT A DISTANCE**

	Center Beam fc	Beam Width	
20.5 ft	35.90 fc	19.5 ft	25.5 ft
40.9 ft	9.01 fc	39.0 ft	50.9 ft
61.4 ft	4.00 fc	58.5 ft	76.5 ft
81.8 ft	2.25 fc	78.0 ft	101.9 ft
102.3 ft	1.44 fc	97.5 ft	127.4 ft
122.8 ft	1.00 fc	117.1 ft	153.0 ft

■ Vertical Spread: 51.0° ■ Horizpread: 63.8°

**INT-4-48L-125-4K7-WF**

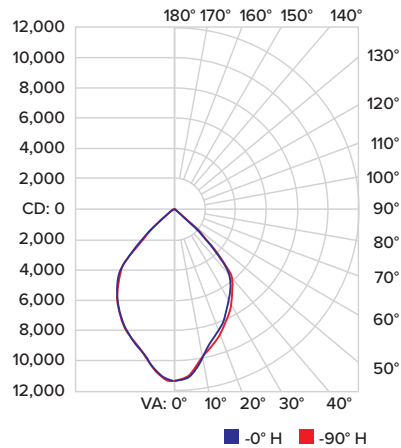
**LUMINAIRE DATA**

Description	4000K, 70CRI
Delivered Lumens	14853
Watts	123.72
Efficacy	120.05
Beam Angls (HxV)	80.4° x 79.8°
Center Beam Candlepower	11,275

**LUMENS PER ZONE**

	Efficiency	Lumens	Horizontal Spread	Vertical Spread
Field (10%)	97.00%	14,415.80	104.2	100.7
Beam (50%)	77.60%	11,525.90	80.4	79.8
Total	100%	14,853.10		

**ISOFOOT CANDLE PLOT**



**ILLUMINANCE AT A DISTANCE**

	Center Beam fc	Beam Width	
17.7 ft	36.00 fc	29.6 ft	29.9 ft
35.4 ft	9.00 fc	59.2 ft	59.8 ft
53.1 ft	4.00 fc	88.8 ft	89.7 ft
70.8 ft	2.25 fc	118.4 ft	119.6 ft
88.5 ft	1.44 fc	148.0 ft	149.5 ft
106.2 ft	1.00 fc	177.6 ft	179.4 ft

■ Vertical Spread: 79.8° ■ Horizpread: 80.4°

**INT White**  
FLOODLIGHT LUMINAIRE

**PHOTOMETRY CONTINUED**

**INT-4-48L-125-4K7-HF**

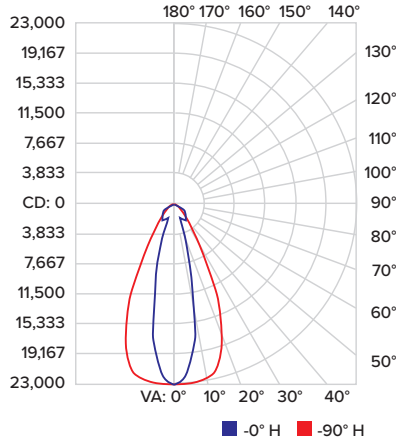
**LUMINAIRE DATA**

Description	4000K, 70CRI
Delivered Lumens	13210
Watts	123.35
Efficacy	107.09
Beam Angls (HxV)	53.3° x 24.2°
Center Beam Candlepower	22,977

**LUMENS PER ZONE**

	Efficiency	Lumens	Horizontal Spread	Vertical Spread
Field (10%)	72.30%	9,564.50	86.9	47.1
Beam (50%)	39.00%	5,151.80	53.3	24.2
Total	100%	13,209.80		

**ISOFOOT CANDLE PLOT**



**ILLUMINANCE AT A DISTANCE**

	Center Beam fc	Beam Width	
25.3 ft	35.70 fc	10.9 ft	25.4 ft
50.5 ft	8.97 fc	21.7 ft	50.7 ft
75.8 ft	3.98 fc	32.6 ft	76.1 ft
101.1 ft	2.24 fc	43.4 ft	101.4 ft
126.3 ft	1.43 fc	54.2 ft	126.7 ft
151.6 ft	1.00 fc	65.1 ft	152.1 ft

■ Vertical Spread: 24.2° ■ Horizpread: 53.3°

**INT-4-48L-125-4K7-WG**

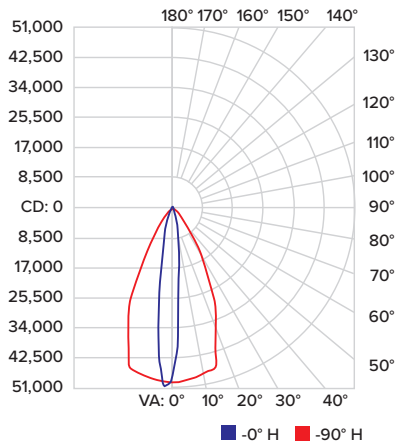
**LUMINAIRE DATA**

Description	4000K, 70CRI
Delivered Lumens	14608
Watts	123.35
Efficacy	118.43
Beam Angls (HxV)	52.4° x 13.2°
Center Beam Candlepower	50,439

**LUMENS PER ZONE**

	Efficiency	Lumens	Horizontal Spread	Vertical Spread
Field (10%)	78.10%	11,434.00	78.5	34.4
Beam (50%)	43.90%	6,424.80	52.4	13.2
Total	100%	14,608.40		

**ISOFOOT CANDLE PLOT**



**ILLUMINANCE AT A DISTANCE**

	Center Beam fc	Beam Width	
37.0 ft	35.90 fc	8.6 ft	36.4 ft
74.0 ft	8.97 fc	17.2 ft	72.8 ft
111.0 ft	3.99 fc	25.7 ft	109.2 ft
148.0 ft	2.24 fc	34.3 ft	145.6 ft
185.0 ft	1.43 fc	42.9 ft	182.0 ft
222.0 ft	1.00 fc	51.5 ft	218.4 ft

■ Vertical Spread: 13.2° ■ Horizpread: 52.4°

**INT-4-48L-125-4K7-WW**

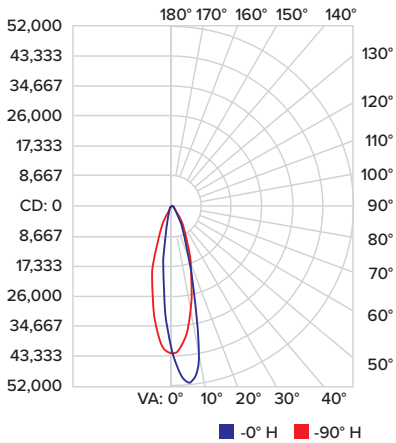
**LUMINAIRE DATA**

Description	4000K, 70CRI
Delivered Lumens	13534
Watts	123.35
Efficacy	109.72
Beam Angls (HxV)	29.4° x 19.6°
Center Beam Candlepower	51,285

**LUMENS PER ZONE**

	Efficiency	Lumens	Horizontal Spread	Vertical Spread
Field (10%)	79.90%	10,831.10	59.4	44.8
Beam (50%)	36.60%	4,956.70	29.4	19.6
Total	100%	13,534.60		

**ISOFOOT CANDLE PLOT**



**ILLUMINANCE AT A DISTANCE**

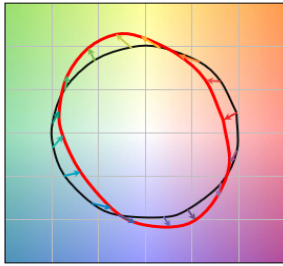
	Center Beam fc	Beam Width	
34.4 ft	35.90 fc	11.9 ft	18.0 ft
68.8 ft	8.97 fc	23.8 ft	36.1 ft
103.2 ft	3.99 fc	35.7 ft	54.1 ft
137.7 ft	2.24 fc	47.6 ft	72.2 ft
172.1 ft	1.43 fc	59.5 ft	90.3 ft
206.5 ft	1.00 fc	71.4 ft	108.3 ft

■ Vertical Spread: 19.6° ■ Horizpread: 29.4°

**INT White**  
FLOODLIGHT LUMINAIRE

**TM-30 DATA**

**COLOR VECTOR GRAPHIC**

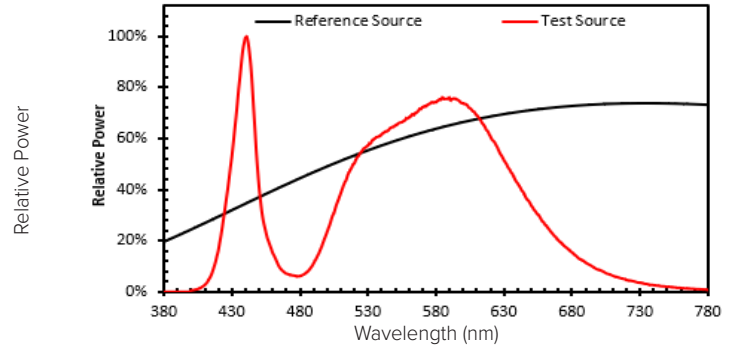


— Reference Illuminant — Test Source

**TEST SOURCE**

R <sub>f</sub>	68
R <sub>g</sub>	99
CCT(K)	3947
D <sub>uv</sub>	0.0004
x	0.3831
y	0.3793
CIE R <sub>a</sub>	72

**SPECTRAL POWER DISTRIBUTION COMPARISON**



**ELECTRICAL DATA**

Size	Current	System Watts	Line Voltage		Amps AC						Min Power Factor	Max. THD (%)	Dimming Range	Dimming			
			VAC	HZ	120	208	240	277	347	480				Source Current Out		Absolute Voltage	
														Min	Max	Min	Max
2 ft	350 mA	28.6	120-480	50/60	0.24	0.14	0.12	0.10	0.08	0.06	>0.9	20	10% to 100%	0mA	1mA	0V	10V
	500 mA	39.9			0.33	0.19	0.17	0.14	0.11	0.08				0mA	1mA	0V	10V
	800 mA	62.3			0.52	0.30	0.26	0.22	0.18	0.13				0mA	1mA	0V	10V
3 ft	350 mA	42.0	120-480	50/60	0.35	0.20	0.18	0.15	0.12	0.09	>0.9	20	10% to 100%	0mA	1mA	0V	10V
	500 mA	59.5			0.50	0.29	0.25	0.21	0.17	0.12				0mA	1mA	0V	10V
	800 mA	93.7			0.78	0.45	0.39	0.34	0.27	0.20				0mA	1mA	0V	10V
4 ft	350 mA	54.0	120-480	50/60	0.45	0.26	0.22	0.19	0.16	0.11	>0.9	20	10% to 100%	0mA	1mA	0V	10V
	500 mA	78.6			0.66	0.38	0.33	0.28	0.23	0.16				0mA	1mA	0V	10V
	800 mA	123.4			1.03	0.59	0.51	0.45	0.36	0.26				0mA	1mA	0V	10V

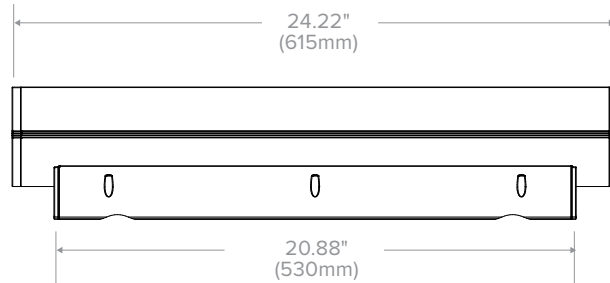
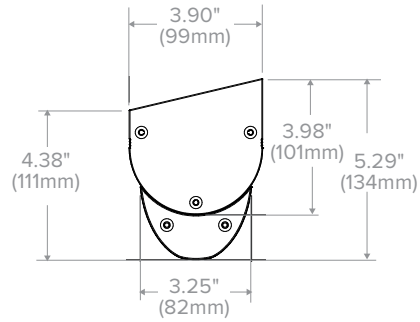
**POWER LOAD MATRIX (10A MAX AMPERAGE)**

Verion	Size (ft)	Driver Wattage (W)	Driver Qty	Primary Voltage (V)	Programmed Current (mA)	Power Factor	%ATHD	Load (A)	System Power (W)	Max Mated Units	Total Feet
Static White	2	30	1	120	350	0.99	6.5	0.249	28.6	40	80
		40	1	120	500	0.98	5.2	0.365	39.9	27	54
		60	1	120	800	0.99	3.1	0.555	62.3	18	36
	3	40	1	120	350	0.98	4.5	0.37	42.0	27	81
		60	1	120	500	0.99	3.29	0.511	59.5	19	57
		95	1	120	800	0.99	2.9	0.818	93.7	12	36
	4	55	1	120	350	0.99	6.5	0.474	54.0	21	84
		80	1	120	500	0.99	5.2	0.669	78.6	14	56
		125	1	120	800	0.99	3.2	1.09	123.4	9	36

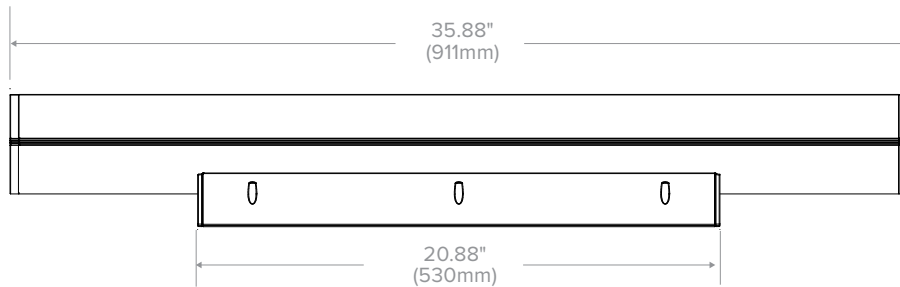
CRI LUMEN MULTIPLIER	
CCT	80 CRI
3000K	0.9119
4000K	0.8941
5000K	0.8625

TM-21 LIFETIME CALCULATION- PROJECTED LUMEN MAINTENANCE (25°C / 77°F)						
AMBIENT TEMP.	0	25,000	36,000	50,000	100,000	Reported L70
25°C / 77°F	100%	97.6%	96.3%	94.8%	89.3%	>60,000 hrs

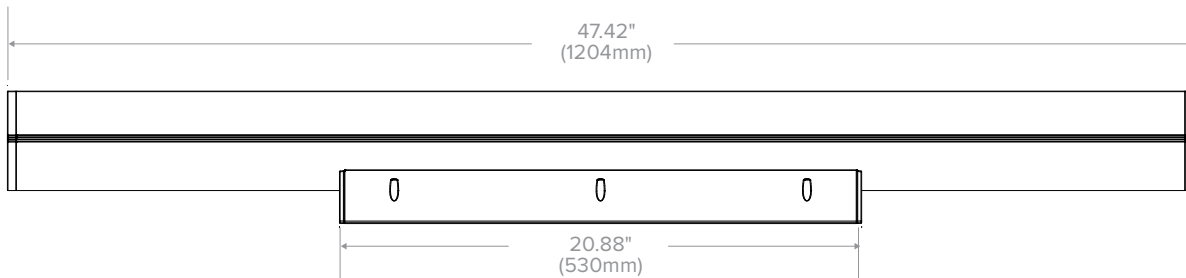
**INT White**  
FLOODLIGHT LUMINAIRE  
**DIMENSIONS**



2 FT Fixture



3 FT Fixture

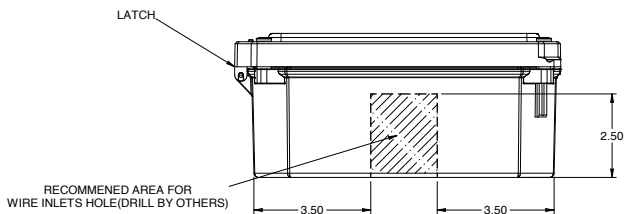
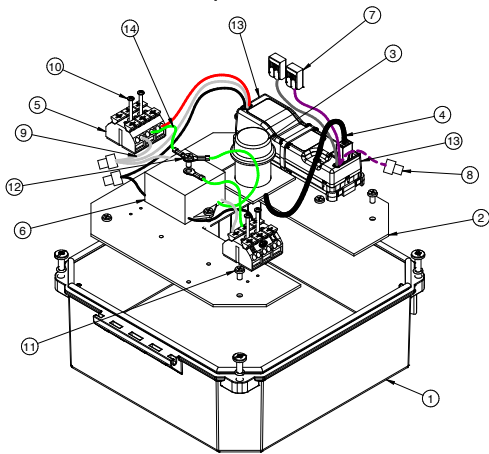
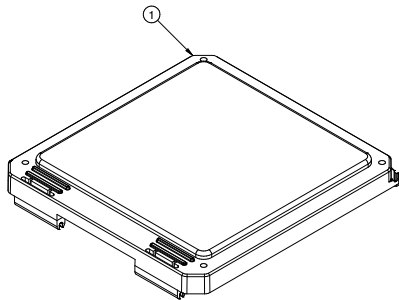
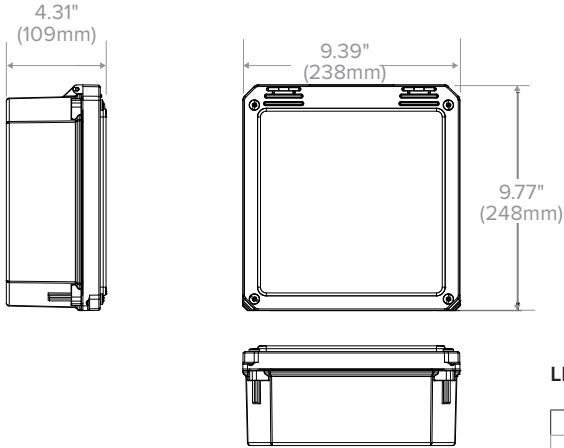


4 FT Fixture

**INT White**  
FLOODLIGHT LUMINAIRE

**ADDITIONAL INFORMATION CONTINUED**

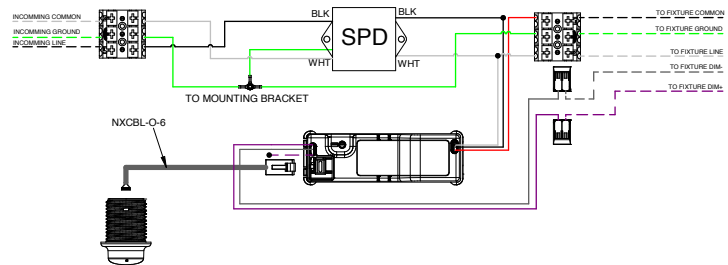
**NX BOX**



**LIST COMPONENTS AND WIRING DIAGRAM**

		Description	Quantity	
1	HW-80804CHSC	N4X Screw Cover 8x8x4 FGL-OPAQ	1	
2	93111068	PLT Remote NX	1	
3	SC	NX Module	1	Table 2
4*	NXCBL-0-6	NXCBL-O-6	1	
5	93074109	Terminal Block 3PT, WAGO CE	2	
6	93054384	SRGPRTR-LITTELFUSE 120-277V	1	
7	0874070B	CONN WAGO 2-WIRE 221-412	2	
8*	A74106	Wire Terminal	3	
9*	80105-6E	Wire #18 AWM (150c) WHT	1	
10	93005881	SCR 4-40X1.0 PHH SS	4	
11	A84135	SCR-8-32X5/16 PHH PHMS SS	9	
12	88348	#10 Ring Terminal	3	
13	NXFM-1R2D-O-UNV	NXFM-1R2D-O-UNV	1	
14*	80106-6E	Wire #18 AWM (150c) Green	2	

Table 2 Item #3 P/N	
Option	#3
NXWE-RME	NXRM-H
NXS-RME	NXSMP-LMI



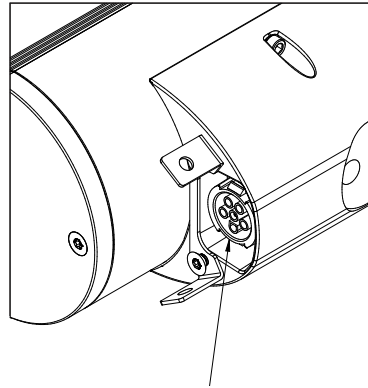
**WIRING DIAGRAM**

**INT White**  
FLOODLIGHT LUMINAIRE

**MOUNTING**

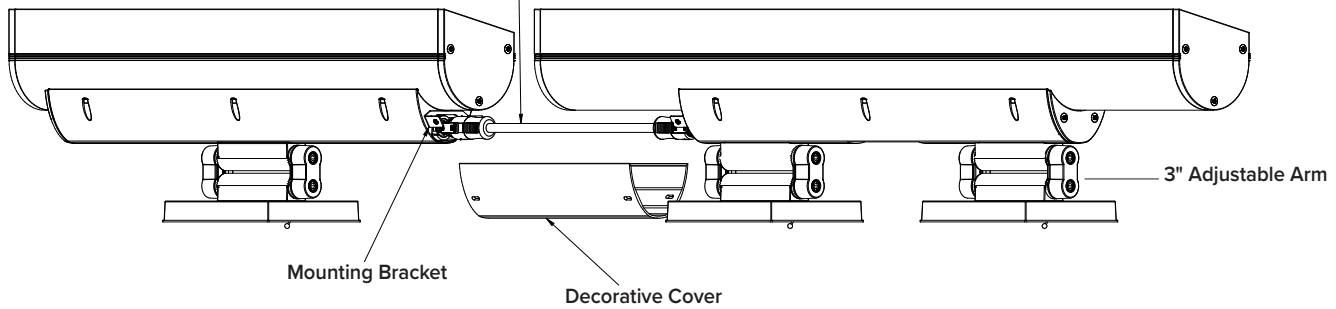
• **Cable Ready**

Wiring can be mounted through a cable on the side of the driver compartment. If this option is chosen, fixture will automatically come cable ready on both sides of the fixture.

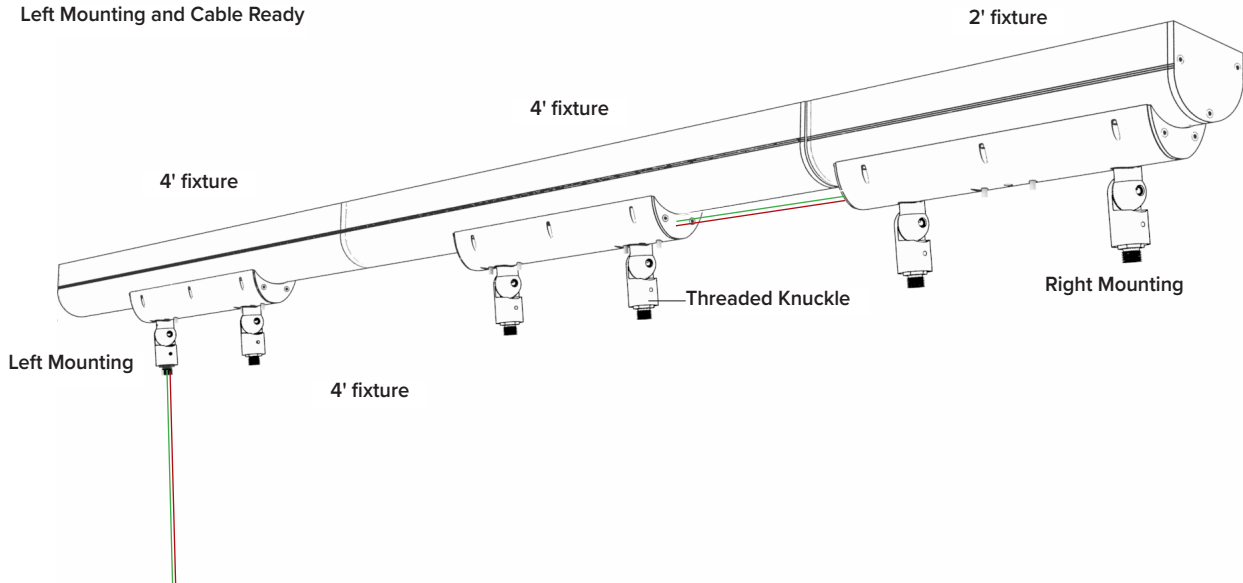


Cable Ready

Connector Cable for reference



Left Mounting and Cable Ready



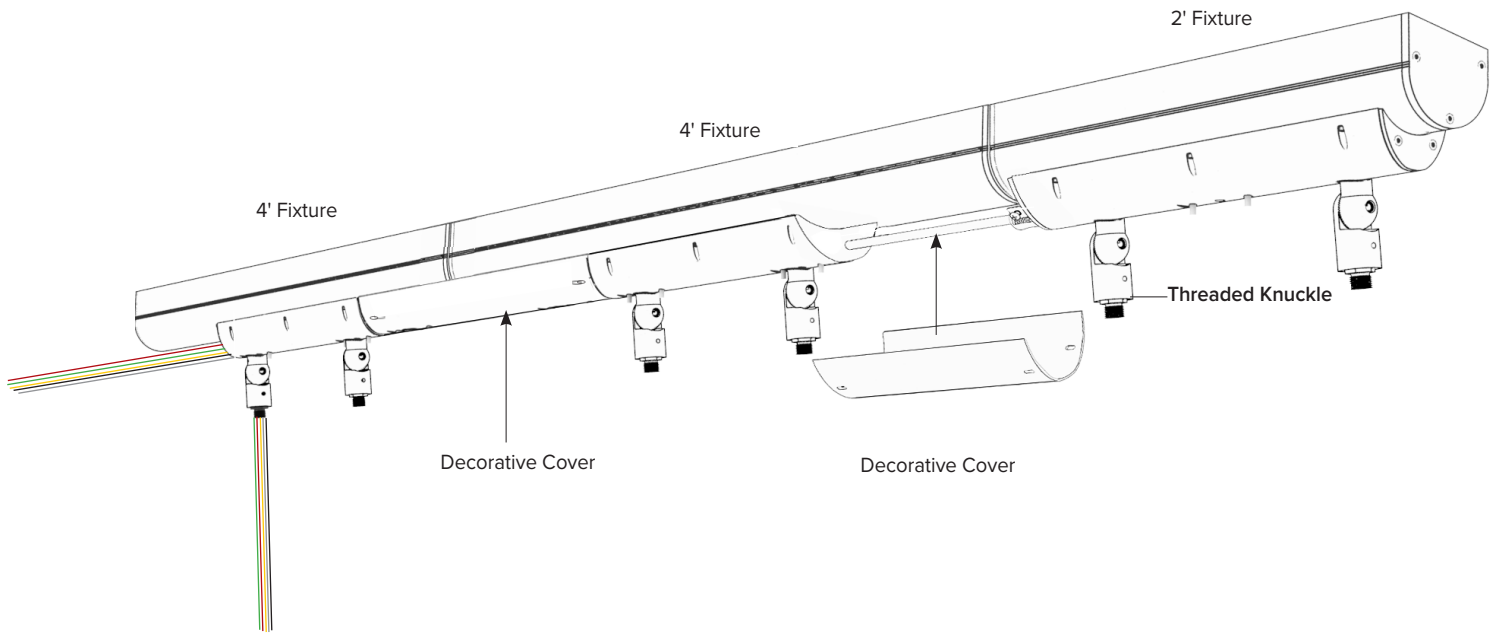
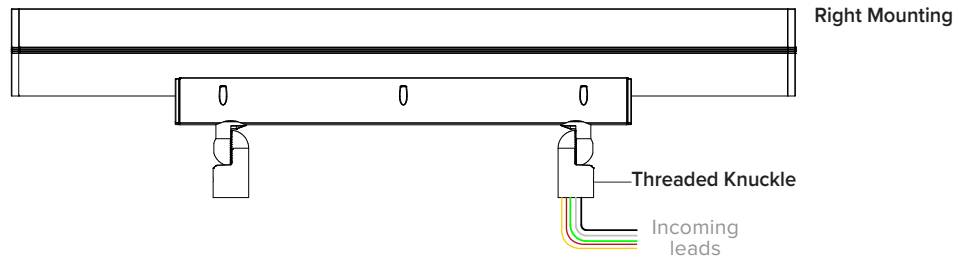
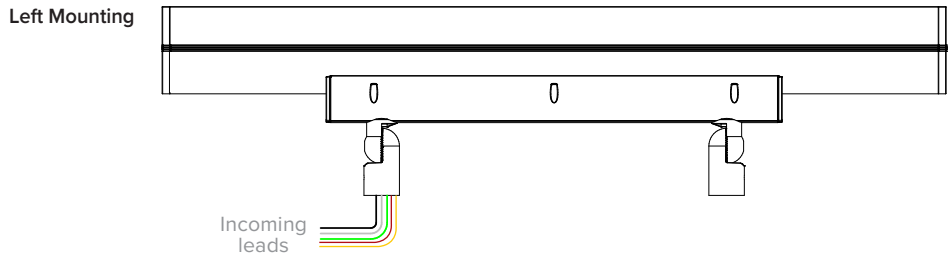
# INT White

FLOODLIGHT LUMINAIRE

## MOUNTING CONT'D

- **Left Mounting and Cable Ready**

Both above wiring configurations can be combined to create to configuration shown here.



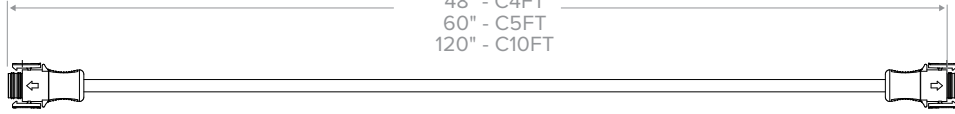
# INT White

FLOODLIGHT LUMINAIRE

## MOUNTING CONT'D

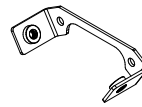
### CONNECTOR CABLE

24" - C2FT  
36" - C3FT  
48" - C4FT  
60" - C5FT  
120" - C10FT

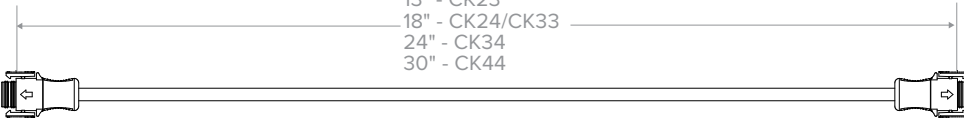


### CONNECTOR KITS

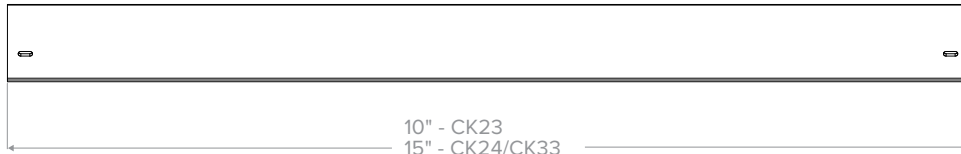
13" - CK23  
18" - CK24/CK33  
24" - CK34  
30" - CK44



Bracket x2



Cable x1



Cover x1

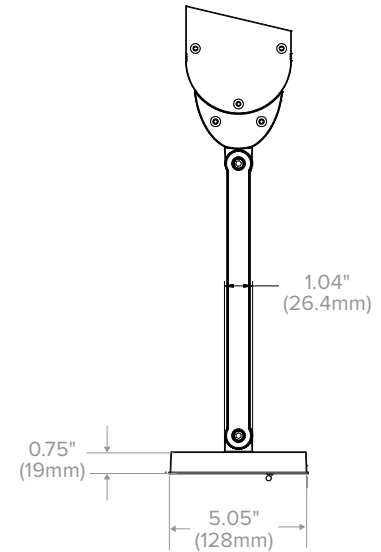
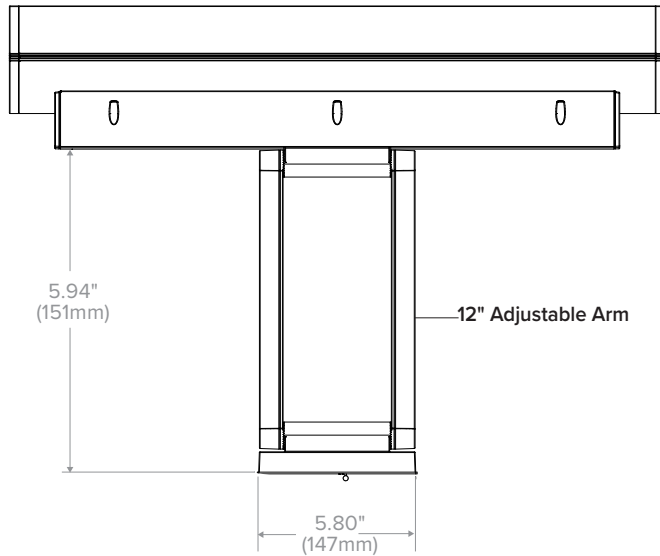
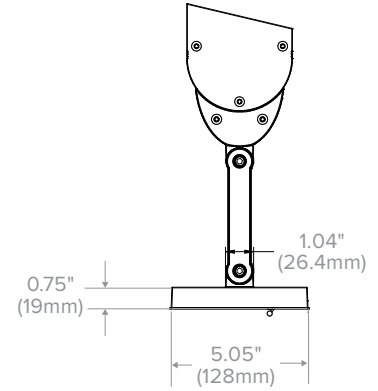
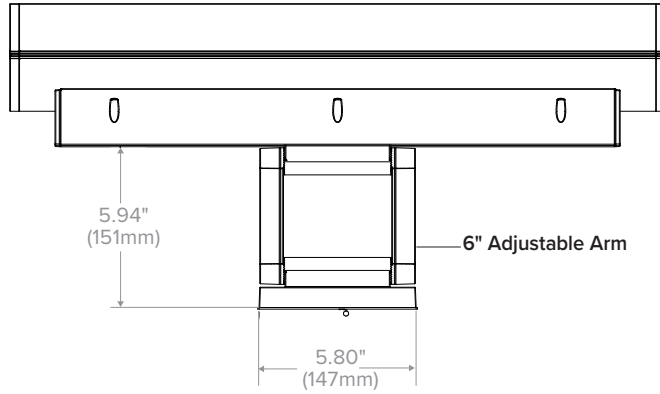
10" - CK23  
15" - CK24/CK33  
21" - CK34  
27" - CK44

# INT White

FLOODLIGHT LUMINAIRE

## MOUNTING CONT'D

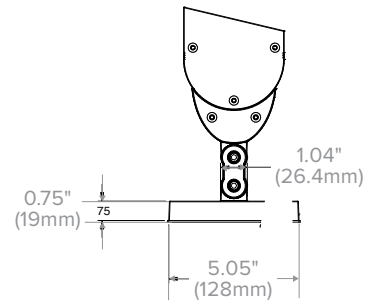
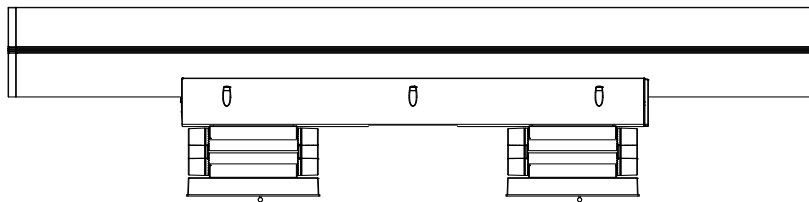
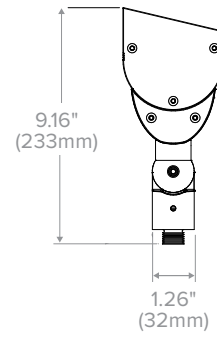
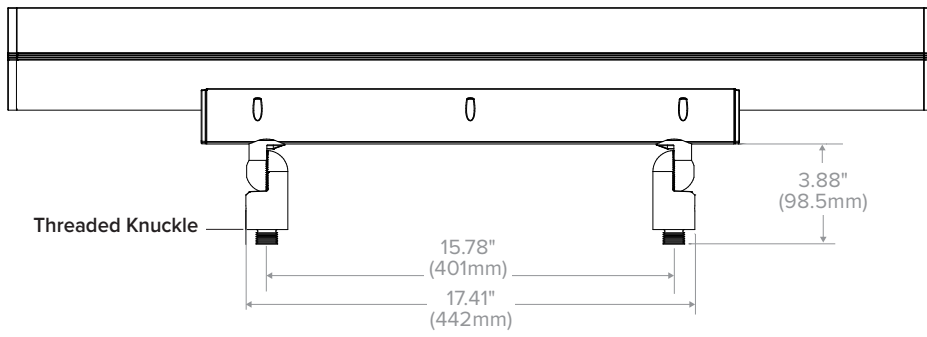
MOUNTING OPTIONS - 2 FT



**INT White**  
FLOODLIGHT LUMINAIRE

**MOUNTING CONT'D**

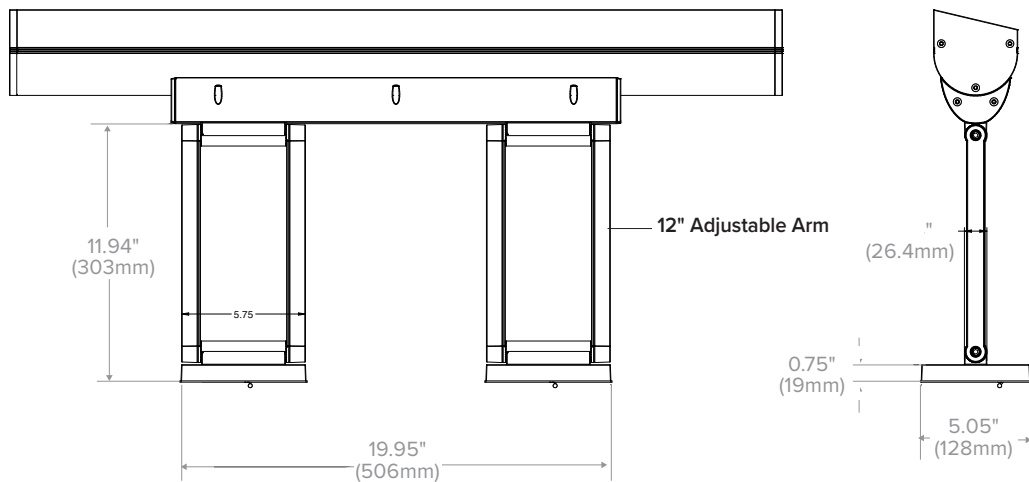
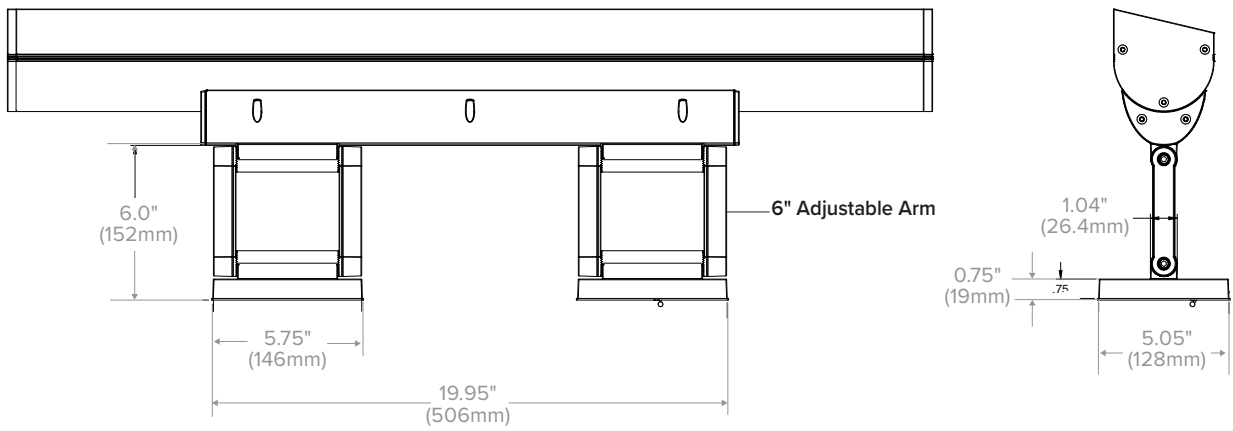
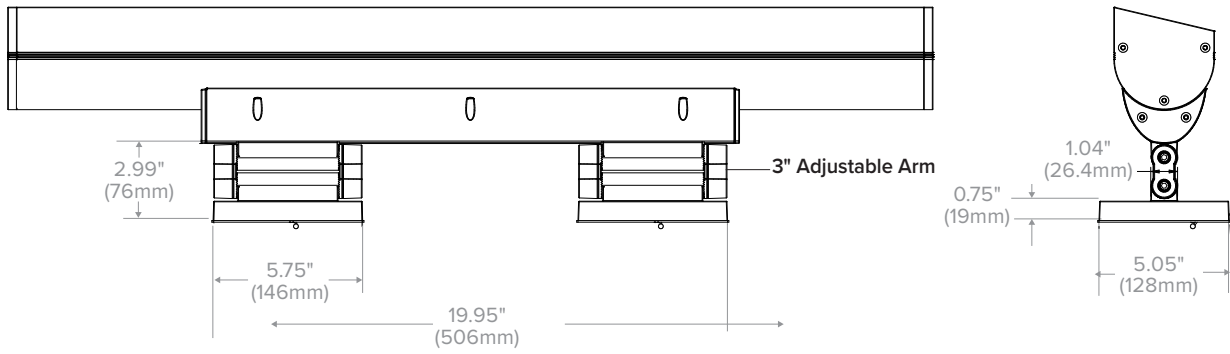
**MOUNTING OPTIONS - 3 FT**



**INT White**  
FLOODLIGHT LUMINAIRE

**MOUNTING CONT'D**

**MOUNTING OPTIONS - 4 FT**

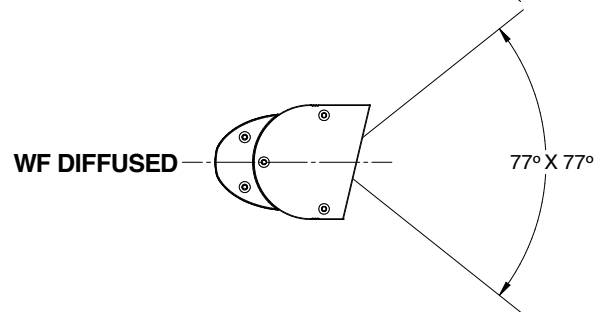
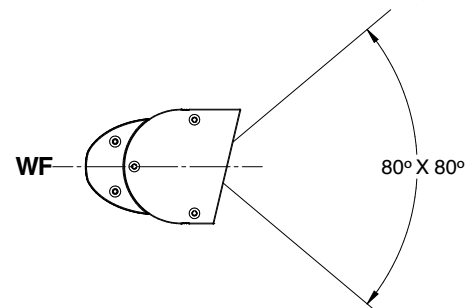
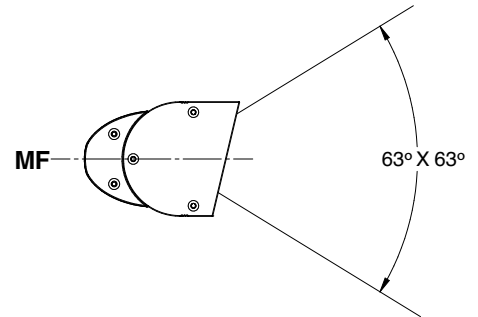
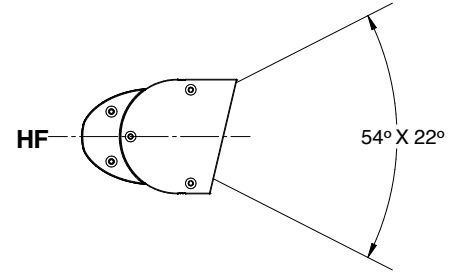
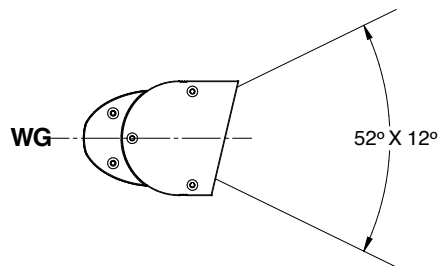
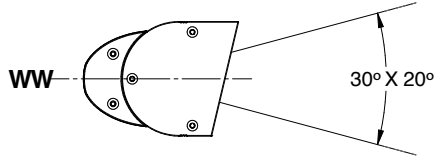
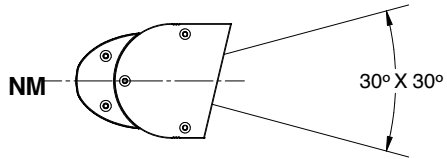
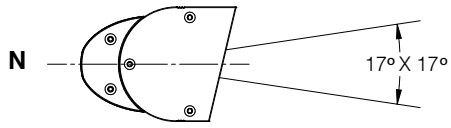


# INT White

FLOODLIGHT LUMINAIRE

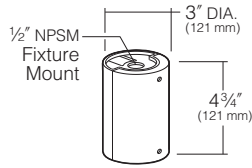
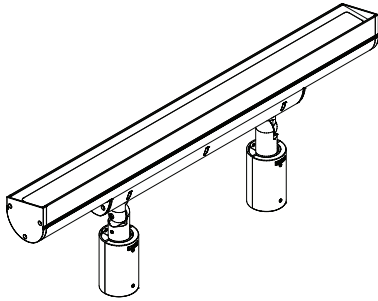
## AIMING

### BEAM SPREAD



**INT White**  
FLOODLIGHT LUMINAIRE

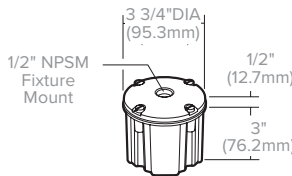
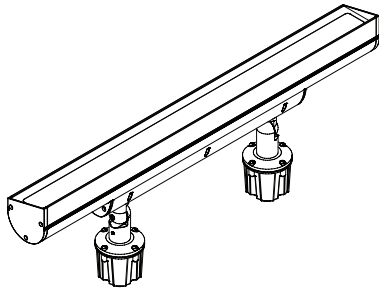
**MOUNTING ACCESSORIES**



Cat. No. JB1

**ARCHITECTURAL JUNCTION BOX**

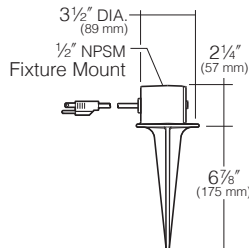
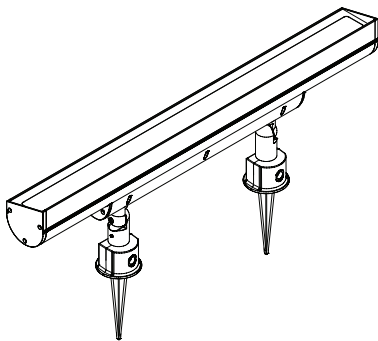
- Die-cast aluminum with 1/2" NPSM fixture mount. Internal set screw provided for locking position. Two 1/2" NPSM in bottom, 17 cu in. internal volume.
- Specify finish: BL - Black, DB - Dark Bronze, GT - Graphite  
Example: JB1/GT
- Used with 120V & HID: Micro-Flood, Scarab, Spun Copper Bullet, Sign/Wall Lighter, Ravenna, Bell Stem, Traditional, Traditional Floral, Path Pilot



Cat. No. JBR

**BRASS IN-GRADE ARCHITECTURAL JUNCTION BOX (THREADED KNUCKLE MOUNT ONLY)**

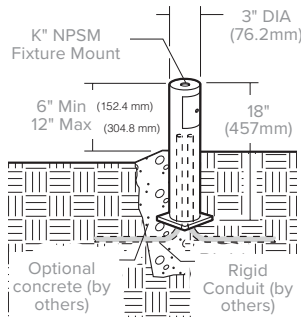
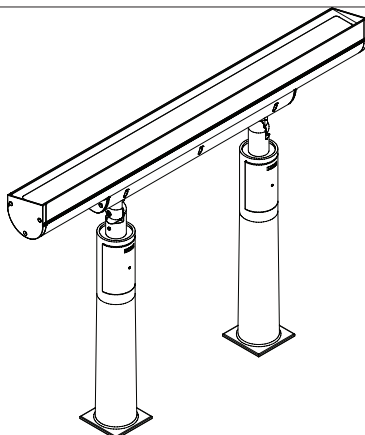
- JBR-2 (2) 1/2" NPT in bottom JBR-3 (2) 3/4" NPT in bottom JBR-21 (2) 1/2" NPT in sides, (2) 1/2" NPT in bottom JBR-24 (4) 1/2" NPT in sides, (4) 1/2" NPT in bottom
- Die-cast brass with 1/2" NPSM fixture mount and die-cast cover. Internal set screw provided for locking position. 21 cu in. Internal volume.  
NOTE: All side taps provided with plugs.
- Creates a flush-mounted appearance.
- May be cast in concrete for increased stability.
- CAUTION: Fixture stem and swivel must not contact soil or standing water. Provide drainage away from junction box.



Cat. No. J-25N

**PORTABLE SPEAR MOUNT**

- Cast iron with 1/2" NPSM fixture mount. Hot dip galvanized finish. 5.5 cu in. splice compartment. (SJTW-A) 3 wire cord and plug. Supplied with (3) wire nuts and (3) mastic seals for waterproofing connections. 9' cord length
- Used with 120V: Micro-Flood, Scarab, Spun Copper Bullet, Sign/Wall Lighter, Ravenna, Bell Stem, Traditional, Traditional Floral, Path Pilot4L



Cat. No. SM18

**STANCHION MOUNT (THREADED KNUCKLE MOUNT ONLY)**

- 3" O.D. by .188" wall cast low copper (<0.6% Cu) aluminum with 1/2" NPSM fixture mount and hand hole with flush cover. Internal set screw fixture lock accessible through hand hole. Internal ground lug supplied with installed lead.
- CAUTION: To assure a rigid installation, stanchion must be set in concrete (by others).