

# LTV768 Minivault

UNIVERSAL, DIE-CAST BRASS, LED

<p><b>Type:</b> <b>Job:</b></p> <p><b>Fixture Catalog number:</b> _____/_____/_____ Fixture                      Mode                      Ordered assembled with fixture</p>	<p><b>Fixture Options:</b> _____ Ordered Separately from Fixture See pages 2-3</p>	<p><b>Approvals:</b></p>
-------------------------------------------------------------------------------------------------------------------------------------------------------------------------------------------	------------------------------------------------------------------------------------------------	--------------------------

## Specifications

**Lens Ring:** Die-cast brass with natural finish or optional brushed stainless steel. Five captive 1/4" blackened stainless steel hex-socket cap screws.

**Lens:** Clear tempered soda lime, 3/16" thick, flush with lens ring, slightly crowned.

**Lens Gasket:** One-piece molded silicone, U-channel wraps completely around lens flange.

**Die-Cast Brass Housing:** Heavy wall die-cast brass.

**Integral Junction Box:** Die-cast brass with stainless steel flat head slotted screws and molded silicone gasket. Die-cast internal junction box cover with silicone gasket and anti-siphon plug, two 1/2" NPT taps in bottom, 12 cu in. volume.

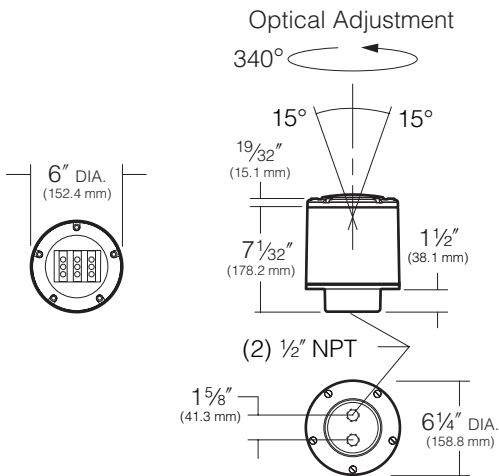
**Optical System:** A total of 3 or 9 LED emitters configured in a rectangular array comprised together as a module. Available in 3000K, 4000K, and 5000K.

**LED Driver:** Universal Voltage from 120 to 277V with a ±10% tolerance. 0°F. starting temperature. All drivers are Underwriters Laboratories recognized.

## ORDERING INFORMATION

Fixture	Source
LTV768WF/ 3L3KUV <sup>1</sup>	3.6W, 3 LED's, 3000K
LTV768WF/ 3L4KUV <sup>1</sup>	3.6W, 3 LED's, 4000K
LTV768WF/ 3L5KUV <sup>1</sup>	3.6W, 3 LED's, 5000K
Fixture	Source
LTV768WF/ 9L3KUV <sup>1</sup>	10.8W, 9 LED's, 3000K
LTV768WF/ 9L4KUV <sup>1</sup>	10.8W, 9 LED's, 4000K
LTV768WF/ 9L5KUV <sup>1</sup>	10.8W 9 LED's, 5000K

<sup>1</sup> Universal Voltage from 120 to 277V with a ±10% tolerance. For 3.6W, Max Amps. are .030 for 120V, .020 for 208V, .015 for 240V, .013 for 277V. For 10.8W, Max Amps. are .090 for 120V, .050 for 208V, .045 for 240V, .040 for 277V.



Listings and Ratings		
UL cUL 1598 <sup>1</sup>	IP68 Rated	25C Ambient

<sup>1</sup>Suitable for wet locations

KIM LIGHTING RESERVES THE RIGHT TO CHANGE SPECIFICATIONS WITHOUT NOTICE.



U.S. PATENTS D410,295 AND D411,640

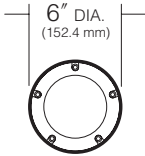
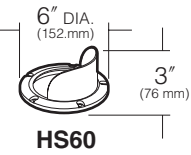
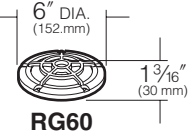
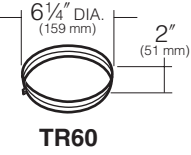
# LTV768 Minivault

UNIVERSAL, DIE-CAST BRASS, LED



## Fixture Options

Ordered Separately from Fixture

<p><b>Brushed Stainless Steel Lens Ring</b>                  Cat. No.   <b>SS60</b>                    <b>SS60 (Assembled)</b>                    <b>No Option</b></p>	<p>Brushed stainless steel lens ring replaces standard lens ring. Includes mounting screws.                  May be ordered separately. To order assembled with fixture, add to fixture <b>Cat. No.</b> - Example: <b>LTV768WF/9L5KUV/SS60</b>.                  Replaces standard lens ring.</p>	
<p><b>Half Shield</b>                  Cat. No.   <b>HS60</b>                    <b>HS60 (Assembled)</b>                    <b>No Option</b></p>	<p>Lens ring for directional glare control toward the viewer. One-piece cast bronze, replaces standard lens ring. Includes glass lens gasket and mounting screws.                  May be ordered separately. To order assembled with fixture, add to fixture <b>Cat. No.</b> - Example: <b>LTV768WF/9L5KUV/HS60</b>.                  Replaces standard lens ring.  <b>NOTE:</b> Cast bronze only.</p>	
<p><b>Rock Guard</b>                  Cat. No.   <b>RG60</b>                    <b>RG60 (Assembled)</b>                    <b>No Option</b></p>	<p>Lens ring for lens protection in vandal prone areas. One-piece cast bronze, replaces standard lens ring. Includes glass lens gasket and mounting screws.                  May be ordered separately. To order assembled with fixture, add to fixture <b>Cat. No.</b> - Example: <b>LTV768WF/9L5KUV/RG60</b>.                  Replaces standard lens ring.  <b>NOTE:</b> Cast bronze only.</p>	
<p><b>Trim Ring</b>                  Cat. No.   <b>TR60</b>                    <b>No Option</b></p>	<p>For flush mounting of fixture in concrete pad or paving. Brass ring clamps to housing with stainless steel screw.  <b>NOTE:</b> Brass only.</p>	

# LTV768 Minivault

UNIVERSAL, DIE-CAST BRASS, LED



## Fixture Options

Ordered Separately from Fixture

<p><b>Lens Accessories</b>                  Cat. No. (See right)                    No Option</p>	<p><b>HL73 - Hex Cell Louver:</b> Constructed of hex cell aluminum louvers providing 45° cutoff, mounted in a circular frame, finished in baked high-heat flat black. Can be used in combination with colored lenses. Inserts behind lens into lens gasket. Cannot be used in combination with <b>SL</b> Spread or <b>PL</b> Prismatic Lenses.</p> <p>Cat. No.                    <b>HL73</b> Hex Cell Louver</p>	
	<p><b>PL73 - Prismatic Lens:</b> Softens lamp distribution and flattens beam spread. Best with flood lamps. Inserts behind lens into lens gasket. Cannot be used in combination with <b>HL</b> series Louvers.</p> <p>Cat. No.                    <b>PL73</b> Prismatic Lens</p>	
	<p><b>SL73 - Spread Lens:</b> Creates an oval beam pattern, more narrow in one beam axis. Best with spot lamps. Inserts behind lens into lens gasket. Cannot be used in combination with <b>HL</b> series Louvers.</p> <p>Cat. No.                    <b>SL73</b> Spread Lens</p>	
<p><b>Colored LEDs</b></p>	<p>Consult factory for color options.</p>	