

WF20 LED Wall Forms®

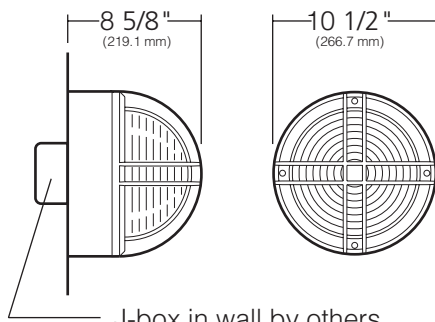
FULL FACE SURFACE MOUNT, ROUND

Type:
Job:
Catalog number:

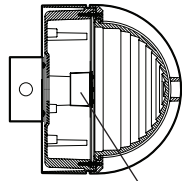
Approvals:

| | | | | |
|-------------|------|-------------------|------------|---------|
| WF20 | / | / | / | / |
| Fixture | Lens | Electrical Module | Finish | Options |
| See page 2 | | | See page 2 | |

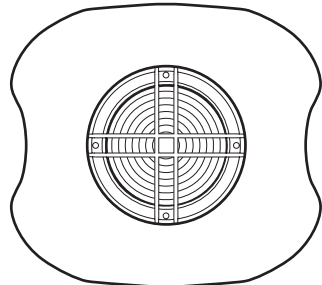
Specifications



Full Face Surface Mount



WF20 with LED



Light distribution
Full Face

Surface Mount: Die-cast, low copper (<0.6% Cu) aluminum alloy with double side walls. Zinc plated steel mounting plate supplied for mounting to standard 3" or 4" junction box.

Face Plate: Die-cast, low copper (<0.6% Cu) aluminum alloy with vertical and horizontal double ribs covering the full hemisphere. Ribs are minimum D" depth and F" thickness. Secures to housing with four stainless steel captive socket head screws.

Lens: Full face molded and heat treated glass, F" minimum thickness with internal sandblast. Retained in face plate and sealed with a one-piece silicone gasket. Choice of smooth (**S**) or internal prisms (**P**).

LED Optical System: A total of 9 LED emitters configured in a rectangular array comprised together as a module. One (1) module for 9 LED version and two (2) modules for 18 LED version. Available in 580nm (Amber), 3000K, 4200K and 5100K.

LED Driver: Rated for 9 or 18 LED. Universal voltage from 120 to 277V with a ±10% tolerance. -40°F starting temperature. All drivers are Underwriters Laboratories recognized.

Finish: Each luminaire receives a fade and abrasion resistant, electrostatically applied, thermally cured, triglycidal isocyanurate (TGIC) polyester powdercoat finish.

Finishing Items: Electrical modules and face plates. Each set of finishing items shall be in one container, clearly marked with the fixture catalog number.

CAUTION: Fixtures must be grounded in accordance with national, state, and/or local electrical codes. Failure to do so may result in serious personal injury.

U.S. PATENTS: D385,054, D381,452, D378,621

| Listings and Ratings | | | |
|--|------------|----|-------------|
| ETL ¹ to UL Standards 1598 & 8750 | IP66 Rated | CE | 25C Ambient |



¹Suitable for wet locations
 KIM LIGHTING RESERVES THE RIGHT TO CHANGE SPECIFICATIONS WITHOUT NOTICE.

WF20 LED Wall Forms®

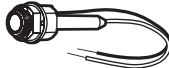
FULL FACE SURFACE MOUNT, ROUND



Standard Features

| | | | | | | | | | | | | | | | | | | | | | | | | | | | | | | | |
|--|---|---|--|-----------|--------|-----------|--------|------------|--------------------|------------|---------------------------|------------|----------------------|------------|------------------------------|------------|--------------------------|------------|----------------------------|------------|----------------------------|------------|--------------------|------------|------------------------|------------|----------------------|------------|-------------------------|-----------|--------------|
| Fixture | Cat. No. WF20 | | | | | | | | | | | | | | | | | | | | | | | | | | | | | | |
| Lens Cat. No. S P | Molded and heat treated glass, F" minimum thickness with internal sandblast. Retained in face plate and sealed with a one-piece silicone gasket. Choice of smooth (S) or internal prisms (P) . |  Smooth |  Prismed | | | | | | | | | | | | | | | | | | | | | | | | | | | | |
| Electrical Module | 9L2KUV ' 18L2KUV ' 9L3KUV ' 18L3KUV ' 9L4KUV ' 18L4KUV ' 9L5KUV ' 18L5KUV ' *For LED, 9L = 9LED Emitters; 18L = 18 LED Emitters; 2K = 580nm - Amber color temperature; 3K = 3000K color temperature; 4K = 4200K color temperature; 5K = 5100K color temperature; UV = Universal Voltage from 120 to 277V with a ± 10% tolerance. | | | | | | | | | | | | | | | | | | | | | | | | | | | | | | |
| Finish TGIC powder coat | <table border="0"> <tr> <td>Cat. No.:</td> <td>Color:</td> <td>Cat. No.:</td> <td>Color:</td> </tr> <tr> <td> BLS</td> <td>Black Gloss Smooth</td> <td> LGT</td> <td>Light Grey Matte Textured</td> </tr> <tr> <td> BLT</td> <td>Black Matte Textured</td> <td> PSS</td> <td>Platinum Silver Gloss Smooth</td> </tr> <tr> <td> DBS</td> <td>Dark Bronze Gloss Smooth</td> <td> VGT</td> <td>Verde Green Matte Textured</td> </tr> <tr> <td> DBT</td> <td>Dark Bronze Matte Textured</td> <td> WHS</td> <td>White Gloss Smooth</td> </tr> <tr> <td> GTT</td> <td>Graphic Matte Textured</td> <td> WHT</td> <td>White Matte Textured</td> </tr> <tr> <td> LGS</td> <td>Light Grey Gloss Smooth</td> <td> CC</td> <td>Custom Color</td> </tr> </table> <p>Custom colors subject to additional charges, minimum quantities and extended lead times. Consult representative. Custom color description: _____</p> | | | Cat. No.: | Color: | Cat. No.: | Color: | BLS | Black Gloss Smooth | LGT | Light Grey Matte Textured | BLT | Black Matte Textured | PSS | Platinum Silver Gloss Smooth | DBS | Dark Bronze Gloss Smooth | VGT | Verde Green Matte Textured | DBT | Dark Bronze Matte Textured | WHS | White Gloss Smooth | GTT | Graphic Matte Textured | WHT | White Matte Textured | LGS | Light Grey Gloss Smooth | CC | Custom Color |
| Cat. No.: | Color: | Cat. No.: | Color: | | | | | | | | | | | | | | | | | | | | | | | | | | | | |
| BLS | Black Gloss Smooth | LGT | Light Grey Matte Textured | | | | | | | | | | | | | | | | | | | | | | | | | | | | |
| BLT | Black Matte Textured | PSS | Platinum Silver Gloss Smooth | | | | | | | | | | | | | | | | | | | | | | | | | | | | |
| DBS | Dark Bronze Gloss Smooth | VGT | Verde Green Matte Textured | | | | | | | | | | | | | | | | | | | | | | | | | | | | |
| DBT | Dark Bronze Matte Textured | WHS | White Gloss Smooth | | | | | | | | | | | | | | | | | | | | | | | | | | | | |
| GTT | Graphic Matte Textured | WHT | White Matte Textured | | | | | | | | | | | | | | | | | | | | | | | | | | | | |
| LGS | Light Grey Gloss Smooth | CC | Custom Color | | | | | | | | | | | | | | | | | | | | | | | | | | | | |

Optional Features

| | | |
|---|---|---|
| Fusing Cat. No. SF No Option | Single fusing for 120V, 277V, and 347V primary. |  |
|---|---|---|