

WF21 LED Wall Forms®

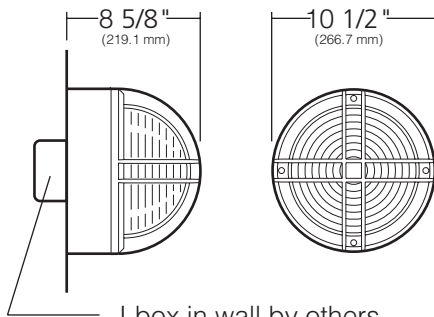
HALF FACE SURFACE MOUNT, ROUND

Type:
Job:
Catalog number:

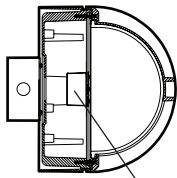
Approvals:

WF21	/	/	/	/
Fixture	Lens	Electrical Module	Finish	Options
See page 2				See page 2

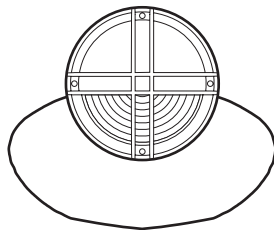
Specifications



J-box in wall by others.
**Half Face
 Surface Mount**



WF21 with LED



Light distribution
 Half Face

Surface Mount: Die-cast, low copper (<0.6% Cu) aluminum alloy with double side walls. Zinc plated steel mounting plate supplied for mounting to standard 3" or 4" junction box.

Face Plate: Solid upper half. Die-cast, low copper (<0.6% Cu) aluminum alloy with vertical and horizontal double ribs covering the full hemisphere. Ribs are minimum 5/8" depth and 3/16" thickness. Secures to housing with four stainless steel captive socket head screws.

Lens: Molded and heat treated glass, 3/16" minimum thickness with internal sandblast. Retained in face plate and sealed with a one-piece silicone gasket. Choice of smooth **(S)** or internal prisms **(P)**.

LED Optical System: A total of 9 LED emitters configured in a rectangular array comprised together as a module. One (1) module for 9 LED version and two (2) modules for 18 LED version. Available in 580nm (Amber), 3000K, 4200K and 5100K.

LED Driver: Rated for 9 or 18 LED. Universal voltage from 120 to 277V with a ±10% tolerance. -40°F starting temperature. All drivers are Underwriters Laboratories recognized.

Finish: Each luminaire receives a fade and abrasion resistant, electrostatically applied, thermally cured, triglycidic isocyanurate (TGIC) polyester powdercoat finish.

Finishing Items: Electrical modules and face plates. Each set of finishing items shall be in one container, clearly marked with the fixture catalog number.

CAUTION: Fixtures must be grounded in accordance with national, state, and/or local electrical codes. Failure to do so may result in serious personal injury..

U.S. PATENTS: D385,054, D381,452, D378,621

Listings and Ratings			
ETL ¹ to UL Standards 1598 & 875	IP66 Rated	CE	25C Ambient



¹Suitable for wet locations
 KIM LIGHTING RESERVES THE RIGHT TO CHANGE SPECIFICATIONS WITHOUT NOTICE.

WF21 LED Wall Forms®

HALF FACE SURFACE MOUNT, ROUND



Standard Features

Fixture —	Cat. No. WF21																													
Lens Cat. No. S P	Molded and heat treated glass, 3/16" minimum thickness with internal sandblast. Retained in face plate and sealed with a one-piece silicone gasket. Choice of smooth (S) or internally prisms (P) **	 <p>Smooth</p>  <p>Prismed</p>																												
Electrical Module	<table border="0"> <tr> <td> 9L2KUV¹</td> <td> 18L2KUV¹</td> </tr> <tr> <td> 9L3KUV¹</td> <td> 18L3KUV¹</td> </tr> <tr> <td> 9L5KUV¹</td> <td> 18L5KUV¹</td> </tr> </table> <p>¹For LED, 9L = 9LED Emitters; 18L = 18 LED Emitters; 2K = 580nm - Amber color temperature; 3K = 3000K color temperature; 5K = 5000K color temperature; UV = Universal Voltage from 120 to 277V with a ± 10% tolerance.</p>		9L2KUV ¹	18L2KUV ¹	9L3KUV ¹	18L3KUV ¹	9L5KUV ¹	18L5KUV ¹																						
9L2KUV ¹	18L2KUV ¹																													
9L3KUV ¹	18L3KUV ¹																													
9L5KUV ¹	18L5KUV ¹																													
Finish TGIC powder coat	<table border="0"> <tr> <td>Cat. No.:</td> <td>Color:</td> <td>Cat. No.:</td> <td>Color:</td> </tr> <tr> <td> BLS</td> <td>Black Gloss Smooth</td> <td> LGT</td> <td>Light Grey Matte Textured</td> </tr> <tr> <td> BLT</td> <td>Black Matte Textured</td> <td> PSS</td> <td>Platinum Silver Gloss Smooth</td> </tr> <tr> <td> DBS</td> <td>Dark Bronze Gloss Smooth</td> <td> VGT</td> <td>Verde Green Matte Textured</td> </tr> <tr> <td> DBT</td> <td>Dark Bronze Matte Textured</td> <td> WHS</td> <td>White Gloss Smooth</td> </tr> <tr> <td> GTT</td> <td>Graphic Matte Textured</td> <td> WHT</td> <td>White Matte Textured</td> </tr> <tr> <td> LGS</td> <td>Light Grey Gloss Smooth</td> <td> CC¹</td> <td>Custom Color</td> </tr> </table> <p>¹Custom colors subject to additional charges, minimum quantities and extended lead times. Consult representative. Custom color description: _____</p>		Cat. No.:	Color:	Cat. No.:	Color:	BLS	Black Gloss Smooth	LGT	Light Grey Matte Textured	BLT	Black Matte Textured	PSS	Platinum Silver Gloss Smooth	DBS	Dark Bronze Gloss Smooth	VGT	Verde Green Matte Textured	DBT	Dark Bronze Matte Textured	WHS	White Gloss Smooth	GTT	Graphic Matte Textured	WHT	White Matte Textured	LGS	Light Grey Gloss Smooth	CC ¹	Custom Color
Cat. No.:	Color:	Cat. No.:	Color:																											
BLS	Black Gloss Smooth	LGT	Light Grey Matte Textured																											
BLT	Black Matte Textured	PSS	Platinum Silver Gloss Smooth																											
DBS	Dark Bronze Gloss Smooth	VGT	Verde Green Matte Textured																											
DBT	Dark Bronze Matte Textured	WHS	White Gloss Smooth																											
GTT	Graphic Matte Textured	WHT	White Matte Textured																											
LGS	Light Grey Gloss Smooth	CC ¹	Custom Color																											

Optional Features

Fusing Cat. No. SF No Option	Single fusing for 120V, 277V, and 347V primary.	
---	---	--