

WF31C & WF31H

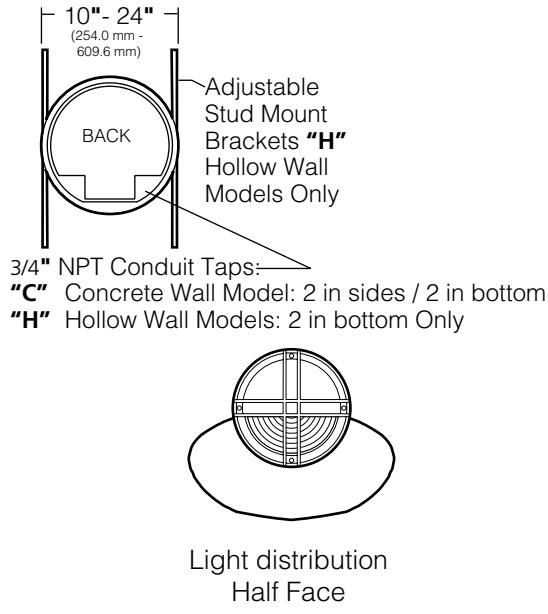
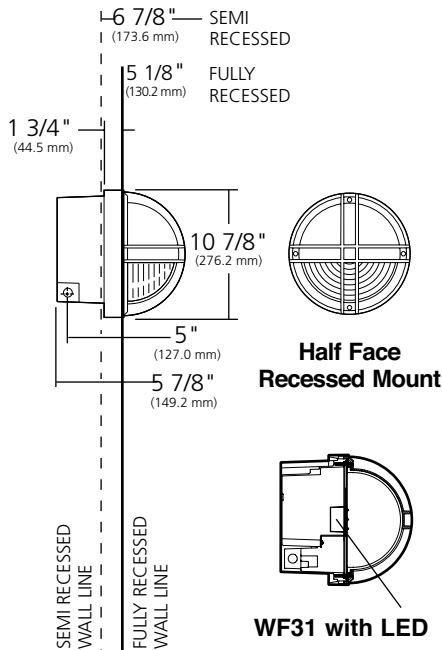
HALF FACE RECESSED MOUNT, ROUND

Type:
Job:
Catalog number:

Approvals:

Fixture	/	/	/	/	Options
					See page 2
See page 2					

Specifications



Housing:

Recessed Concrete: Die-cast, low copper (<0.6% Cu) aluminum alloy with clear anodize under powder coat finish to match louver and face plate. Integral junction box (21 cubic inch volume) with four 3/4" NPT conduit taps. Presswood niche cover provided as temporary protection against moisture.

Recessed Hollow Wall: Die-cast, low copper (<0.6% Cu) aluminum alloy with clear anodize under powder coat finish to match louver and face plate. Integral junction box (21 cubic inch volume) with four 3/4" NPT conduit taps. Presswood niche cover provided as temporary protection against moisture. (HID): Supplied with adjustable stud mount brackets plus insulation detector in place of one side conduit tap. Quick disconnect plug supplied for electrical module.

Face Plate: Die-cast, low copper (<0.6% Cu) aluminum alloy with vertical and horizontal double ribs covering the full hemisphere. Ribs are minimum 5/8" depth and 3/16" thickness. Secures to housing with four stainless steel captive socket head screws.

Half Face: Solid upper half.

Lens: Molded and heat treated glass, 3/16" minimum thickness with internal sandblast. Retained in face plate and sealed with a one-piece silicone gasket. Choice of smooth (S) or internal prisms (P).

LED Optical System: A total of 9 LED emitters configured in a rectangular array comprised together as a module. One (1) module for 9 LED version and two (2) modules for 18 LED version. Available in 580nm (Amber), 3000K, 4200K and 5100K.

LED Driver: Rated for 9 or 18 LED. Universal voltage from 120 to 277V with a ±10% tolerance. -40°F starting temperature. All drivers are Underwriters Laboratories recognized.

Finish: Each luminaire receives a fade and abrasion resistant, electrostatically applied, thermally cured, triglycidal isocyanurate (TGIC) polyester powdercoat finish.

Pour Items: Recessed housings, devoid of all electrical components. Protective presswood niche covers are supplied to temporarily seal the open housings until the electrical modules and face plates are ready to install. Quick disconnect plugs supplied for electrical modules.

Finishing Items: Electrical modules and face plates. Each set of finishing items shall be in one container, clearly marked with the fixture catalog number.

CAUTION: Fixtures must be grounded in accordance with national, state, and/or local electrical codes. Failure to do so may result in serious personal injury.

U.S. PATENTS: D385,054, D381,452, D378,621

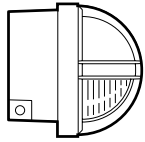
Listings and Ratings			
ETL ¹ to UL Standards 1598 & 8750	IP66 Rated	CE	25C Ambient

¹Suitable for wet locations



KIM LIGHTING RESERVES THE RIGHT TO CHANGE SPECIFICATIONS WITHOUT NOTICE.

WF31C & WF31H

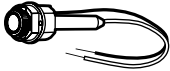
HALF FACE RECESSED MOUNT, ROUND



Standard Features

Fixture Cat. No. WF31C WF31H	WF31C for concrete walls WF31H for hollow walls																													
Lens Cat. No. S P	Molded and heat treated glass, 3/16" minimum thickness with internal sandblast. Retained in face plate and sealed with a one-piece silicone gasket. Choice of smooth (S) or internal prisms (P)	 Smooth  Prismed																												
Electrical Module	<table border="0"> <tr> <td> 9L2KUV¹</td> <td> 18L2KUV¹</td> </tr> <tr> <td> 9L3KUV¹</td> <td> 18L3KUV¹</td> </tr> <tr> <td> 9L4KUV¹</td> <td> 18L4KUV¹</td> </tr> <tr> <td> 9L5KUV¹</td> <td> 18L5KUV¹</td> </tr> </table> <p>¹For LED, 9L = 9LED Emitters; 18L = 18 LED Emitters; 2K = 580nm - Amber color temperature; 3K = 3000K color temperature; 4K = 4200K color temperature; 5K = 5100K color temperature; UV = Universal Voltage from 120 to 277V with a ± 10% tolerance.</p>		9L2KUV ¹	18L2KUV ¹	9L3KUV ¹	18L3KUV ¹	9L4KUV ¹	18L4KUV ¹	9L5KUV ¹	18L5KUV ¹																				
9L2KUV ¹	18L2KUV ¹																													
9L3KUV ¹	18L3KUV ¹																													
9L4KUV ¹	18L4KUV ¹																													
9L5KUV ¹	18L5KUV ¹																													
Finish TGIC powder coat	<table border="0"> <tr> <td>Cat. No.:</td> <td>Color:</td> <td>Cat. No.:</td> <td>Color:</td> </tr> <tr> <td> BLS</td> <td>Black Gloss Smooth</td> <td> LGT</td> <td>Light Grey Matte Textured</td> </tr> <tr> <td> BLT</td> <td>Black Matte Textured</td> <td> PSS</td> <td>Platinum Silver Gloss Smooth</td> </tr> <tr> <td> DBS</td> <td>Dark Bronze Gloss Smooth</td> <td> VGT</td> <td>Verde Green Matte Textured</td> </tr> <tr> <td> DBT</td> <td>Dark Bronze Matte Textured</td> <td> WHS</td> <td>White Gloss Smooth</td> </tr> <tr> <td> GTT</td> <td>Graphic Matte Textured</td> <td> WHT</td> <td>White Matte Textured</td> </tr> <tr> <td> LGS</td> <td>Light Grey Gloss Smooth</td> <td> CC²</td> <td>Custom Color</td> </tr> </table> <p>²Custom colors subject to additional charges, minimum quantities and extended lead times. Consult representative. Custom color description: _____</p>		Cat. No.:	Color:	Cat. No.:	Color:	BLS	Black Gloss Smooth	LGT	Light Grey Matte Textured	BLT	Black Matte Textured	PSS	Platinum Silver Gloss Smooth	DBS	Dark Bronze Gloss Smooth	VGT	Verde Green Matte Textured	DBT	Dark Bronze Matte Textured	WHS	White Gloss Smooth	GTT	Graphic Matte Textured	WHT	White Matte Textured	LGS	Light Grey Gloss Smooth	CC ²	Custom Color
Cat. No.:	Color:	Cat. No.:	Color:																											
BLS	Black Gloss Smooth	LGT	Light Grey Matte Textured																											
BLT	Black Matte Textured	PSS	Platinum Silver Gloss Smooth																											
DBS	Dark Bronze Gloss Smooth	VGT	Verde Green Matte Textured																											
DBT	Dark Bronze Matte Textured	WHS	White Gloss Smooth																											
GTT	Graphic Matte Textured	WHT	White Matte Textured																											
LGS	Light Grey Gloss Smooth	CC ²	Custom Color																											

Optional Features

Fusing Cat. No. SF No Option	Single fusing for 120V, 277V, and 347V primary.	
---	---	---