



UFO-3AW

FLUORESCENT POWER PACK

DATE:	LOCATION:
TYPE:	PROJECT:
CATALOG #:	

FEATURES

- Compatible with electronic, standard magnetic, energy saving, dimming and end-of-lamp-life AC ballasts
- Provides 90 minutes of emergency lighting
- Battery case made of heavy 22-gauge steel
- Dual Input 120/277 VAC, 60Hz operation
- Maintenance-free Nickel-Cadmium battery
- Easy installation with versatile mounting capability inside of ballast channel, on top of or remote from fixture
- Can be used with switched or unswitched lighting fixtures



SPECIFICATIONS

APPLICATION

- The UFO-3AW emergency battery pack works in conjunction with a fluorescent fixture's normal AC ballast to convert new or existing fluorescent fixtures for emergency lighting operation, eliminating the need to install additional emergency lighting units.
- The UFO-3AW can be used with one 32W through 40W (2' - 4') T8, T10, or T12 fluorescent lamp without integral starters, including U-shaped, HO, VHO and circline. It is also compatible with most 1, 2, 3, and 4-lamp electronic, standard magnetic, end-of-lamp-life and dimming AC ballasts.
- If used in an emergency-only fixture, no AC ballast is necessary.
- For information about specific lamps and ballast compatibility, please contact the factory.

CONSTRUCTION

- All unit housings consist of a compact case constructed of 22 gauge sheet metal finished in black enamel.
- The unit contains a solid-state charger with automatic transfer circuit, test switch, LED charge indicator light, a dependable, high-frequency inverter and a high-temperature, Nickel-Cadmium battery.

INSTALLATION

- Model UFO-3AW emergency battery pack does not affect normal fixture operation and may be used with either a switched or unswitched fixture.
- If a switched fixture is used, an unswitched hot lead must be connected to the emergency battery pack.
- The emergency battery pack must be fed from the same branch circuit as the AC ballast.
- The UFO-3AW may be installed inside, on top of, or remote from the fixture.
- The emergency battery pack may be remotely installed up to half the distance from the lamp the AC ballast manufacturer recommends, or up to 50 feet, whichever is less.
- UFO-3AW emergency battery packs are not suitable for installation in heated air outlet fixtures and wet or hazardous location fixtures.
- Installation is not recommended with fixtures where the ambient temperature may fall below 0°C (32°F).

OPERATION

- UFO-3AW emergency fluorescent battery packs are designed to provide a minimum of 90 minutes of emergency lighting to one lamp in 2-4 foot commercial or industrial fixtures.
- Operation is fully automatic.

- A solid-state charger maintains the battery at full charge as long as utility power is present.
- Upon interruption of normal power, the unit will activate and the automatic transfer circuit will switch to the emergency mode, keeping one lamp illuminated at a reduced lumen output for a minimum of 90 minutes.
- Upon restoration of normal power, the emergency battery pack returns to the charging mode and delays AC ballast operation for approximately three seconds to prevent false tripping of AC ballast (end-of-lamp-life) shutdown circuits.
- Full battery recharge is accomplished within 24 hours. A test switch and LED charge indicator light is provided with all models for testing and monitoring of unit performance.
- Dual input allows operation from either 120 or 277VAC, 60Hz.

ILLUMINATION

- The UFO-3AW produces 350-450 lumens initial emergency light output.
- During emergency illumination, one lamp is illuminated, even if installed with a multi-lamp fluorescent fixture.

COMPLIANCES

- UL 924 Damp Location Listed
- NFPA 101 (Life Safety Code)
- NFPA 70 (National Electrical Code)

WARRANTY

- 5 Years Full Warranty



UFO-3AW

FLUORESCENT POWER PACK

DATE: _____ LOCATION: _____
 TYPE: _____ PROJECT: _____
 CATALOG #: _____

ORDERING GUIDE

Example: UFO-3AW

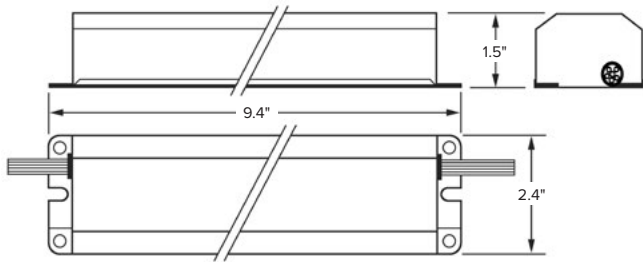
CATALOG # _____

UFO-3AW		Accessories (Order Separately)	
Model		F-WC Wiring bundle cover ¹	
UFO-3AW	Fluorescent Power Pack	SPRTS Remote test switch/charge indicator module ²	

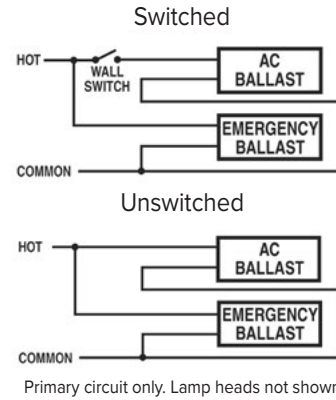
Notes:

- 1 Encloses exposed wiring harness when power pack is externally mounted on the lighting fixture. One required per fixture.
- 2 Fits single-gang box.

DIMENSIONS



Dimensions: 9.4" (23.8cm)L x 2.4" (6.0cm)W x 1.5" (3.8cm)H



OPERATING TEMPERATURE RANGE

0°C to 50°C (32°F to 122°F)

WEIGHT

2.1 lbs (0.94kg)

LAMP COMPATIBILITY CHART

CATALOG NUMBER	INPUT WATTAGE	OUTPUT WATTAGE	LAMP TYPE	1 LAMP LUMENS
UFO-3AW	3.5	9.6	T8 T10 T12 Circline 4-pin	350-450