



**FEATURES**

- High-performance LED luminaire
- Long-life, 60,000 hour LEDs at L80 (80% lumen maintenance) reduce life cycle maintenance costs
- Four LED color choices
- Multiple lumen packages (see Product Availability Table)
- Superior color consistency to a 3-step MacAdam ellipse and 82 CRI
- Full distribution provides controlled high angle light for visual comfort
- Lens design and materials provide uniform appearance without pixilation
- Unique frameless optical system and modular electrical system allow for easy LED module or driver replacement from below the ceiling
- Most configurations produce low W/ft<sup>2</sup> to meet the most restrictive lighting power density codes
- DLC® (DesignLights Consortium) Qualified - see [www.designlights.org](http://www.designlights.org)
- Five year warranty

**PROJECT INFORMATION**

Project Name \_\_\_\_\_

Type \_\_\_\_\_

Catalog No. \_\_\_\_\_

Date \_\_\_\_\_

**CONSTRUCTION**

Luminaire housing, end caps, and reflectors are die-formed code-gauge cold-rolled steel. Frameless optics system hinges from either side for easy access to lamps and electrical components. Mechanical light trap prevents light leaks. Latches are spring loaded. Fixture construction is standard static. Air handling return air side slots are available as option.

**CEILING COMPATIBILITY**

Luminaire fits recessed exposed grid ceilings (G); four integral T-Bar clips standard. A flange kit (FK) option is available for recessed hard ceiling applications. Surface Mount (SM) option allows placement on ceiling plane. Cable Mount option (CM) allows suspension below ceiling plane. For information on compatibility with specific ceilings, or where plenum depth is a problem, contact your representative.

**FINISH**

All visible parts are custom formulated soft, non-glare high-reflectance white powder coat finish, painted after fabrication.

**CERTIFICATION**

All luminaires are built to UL1598 and 2108 standards, and bear appropriate CSA labels. Damp location labeling is standard. Emergency equipped fixtures labeled UL924. Adheres to LM79, LM80 and TM21 standards. IC rating is standard on all models. DLC® (DesignLights Consortium) Qualified. Please refer to the DLC website for specific product qualifications at [www.designlights.org](http://www.designlights.org). UL Sanitation Approved.

**SHIELDING**

Lenses are high transmission extruded acrylic.

**WARRANTY**

Five year warranty. (Terms and Conditions apply)

**INSTALLATION**

An access plate is furnished with each recessed fixture for fast wiring connections without the necessity to open the fixture or wireway.

**ORDERING INFORMATION**

**EXAMPLE LEPC24-35LWG-LL-EDU**

| LEPC 24 -                                   |   | - LL -   |   | -  |                         | -   |  |
|---|---|--|---|--|-------------------------|---|--|
| MODEL                                       | COLOR TEMP  | CEILING TYPE   | AIR FUNCTION                            | DRIVER   | VOLTAGE                 | OPTIONS   |  |
| LEPC e-poc® LED Full Distribution Luminaire | 30 3000K<br>35 3500K<br>40 4000K<br>50 5000K  | G Grid <sup>2</sup><br>SM Surface Mount<br>CM Cable Mount <sup>3</sup> | Blank Static<br>A Air Return Side Slots | E Fixed Output<br>ED 0-10V Dimming<br>ED1 0-10V 1% Dimming<br>EDD 0-10V Dim-to-Dark<br>ESD Step Dimming <sup>4</sup><br>LUTH Hi-lume 1% EcoSystem LED driver with Soft-on, Fade-to-Black dimming technology <sup>1,4</sup> | U 120V-277V<br>347 347V | ELL14 Emergency Battery Pack Installed, 1400 Lumens <sup>1,5,6</sup><br>C388 3-Wire Flex<br>C488 4-Wire Flex<br>C588 5-Wire Flex<br>GLR Fast Blow Fuse<br>EOR End of Row (SM/CM only) <sup>7</sup><br>INT Intermediate (SM/CM only) <sup>7</sup><br>GTD Generator Transfer Device <sup>8</sup><br>CP Chicago Plenum |  |
| SIZE  | LUMEN OUTPUT  | SHIELDING  |   |  |                         |   |  |
| 24 2' x 4'                                  | XW Extra Low Watt<br>VW Very Low Watt<br>MW Medium Low Watt<br>LW Low Watt<br>ML Medium Lumen<br>HL High Lumen<br>VL Very High Lumen <sup>1</sup><br>XL Extra High Lumen <sup>1</sup><br>(See Product Availability Table Below) | LL Low Lamp Image  |   |  |                         |   |  |

<sup>1</sup>VL and XL not available with ELL14 or Lutron drivers.  
<sup>2</sup>For drywall, order G with Flange Kit Accessory.  
<sup>3</sup>Order hanger accessories separately.  
<sup>4</sup>Not available with 347V.  
<sup>5</sup>Not available with Surface Mount ceiling types.  
<sup>6</sup>For compatibility with Dual-Lite LiteGear® inverters in lieu of installed Battery Pack, contact representative.  
<sup>7</sup>Provides ends with wiring access for continuous row mounting.  
<sup>8</sup>Not available with VL or XL Lumen Output.  
**Damp Label** - standard  
**IC Rating** - standard

**ACCESSORIES (ORDER SEPARATELY)**

|                       |   |
|-----------------------|---|
| <b>FK24</b>           | 2' x 4' Single Flange Kit   |
| <b>FKCR</b>           | Flange Kit Row Adaptor  |
| <b>CM48Y2SC3F-KIT</b> | 43" Cable Mount Kit for 2' wide CM ceiling type, 3-Wire Feed Cord |

**PRODUCT AVAILABILITY**

| SIZE  | LUMEN PACKAGE | NOMINAL LUMENS | NOMINAL WATTS | LUMENS PER WATT |
|-------|---------------|----------------|---------------|-----------------|
| 2'x4' | XW            | 2486-2680      | 20            | 132             |
|       | VW            | 3211-3462      | 25            | 132             |
|       | MW            | 3594-3874      | 28            | 131             |
|       | LW            | 4203-4531      | 34            | 130             |
|       | ML            | 4812-5187      | 40            | 127             |
|       | HL            | 5590-6026      | 47            | 123             |
|       | VL            | 7004-7550      | 60            | 122             |
|       | XL            | 8537-9203      | 76            | 117             |

Actual lumens will vary according to color temperature and other factors. For exact lumens and watts see specific photometric test(s).

Protected by US Patents D603,999; D604,446.  
 Additional US and Canada Patents Pending.  
 Specifications subject to change without notice.

**PHOTOMETRIC DATA**

Test 14.00748 Test Date 11/13/2014

**LUMINAIRE DATA**

|                          |  |
|--------------------------|--|
| Luminaire                | LEPC24-40LWG-LL-EDU<br>LEPC Epc LED Full Distribution, Recessed Architectural<br>2 x 4 LED with frosted linear prisms lenses |
| Ballast                  | D700C30UNVTZ-C   |
| Ballast Factor           | 1.00   |
| Lamp                     | LED  |
| Fixture Lumens           | 3635   |
| Watts                    | 28.60  |
| Shielding Angle          | 0° = 90 90° = 90   |
| Spacing Criterion        | 0° = 1.19 90° = 1.25   |
| Luminous Opening in Feet | Length: 3.85<br>Width: 1.88<br>Height: 0.00  |

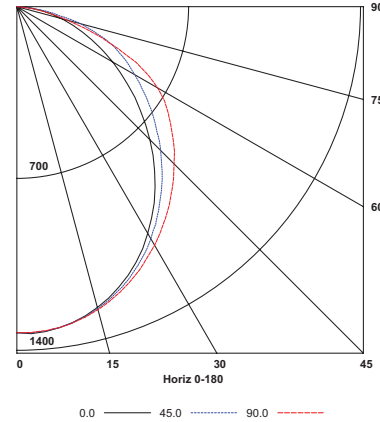
**ZONAL LUMEN SUMMARY**

| Zone  | Lumens | % Lamp | % Fixt. |
|-------|--------|--------|---------|
| 0-30  | 1023   | 28.1   | 28.1    |
| 0-40  | 1656   | 45.6   | 45.6    |
| 0-60  | 2879   | 79.2   | 79.2    |
| 0-90  | 3635   | 100.0  | 100.0   |
| 0-180 | 3635   | 100.0  | 100.0   |

**ENERGY DATA**

|   |  |
|---|--|
| Total Luminaire Efficiency                              | 100.0%                                       |
| Total Lumens per Watt                                   | 127  |
| ANSI/IESNA RP-1-2004 COMPLIANCE                         | Noncompliant                                 |
| Comparative Yearly Lighting Energy Cost per 1000 Lumens | \$1.92 based on 3000 hrs. and \$0.08 per KWH |

**INDOOR CANDELA PLOT**



**LUMINAIRE DATA**

|                          |  |
|--------------------------|--|
| Luminaire                | LEPC24-40MLG-LL-EDU<br>LEPC Epc LED Full Distribution, Recessed Architectural<br>2 x 4 LED with frosted linear prisms lenses |
| Ballast                  | D10CC55UNVT-C  |
| Ballast Factor           | 1.00   |
| Lamp                     | LED  |
| Fixture Lumens           | 4647   |
| Watts                    | 37.40  |
| Shielding Angle          | 0° = 90 90° = 90   |
| Spacing Criterion        | 0° = 1.19 90° = 1.25   |
| Luminous Opening in Feet | Length: 3.85<br>Width: 1.88<br>Height: 0.00  |

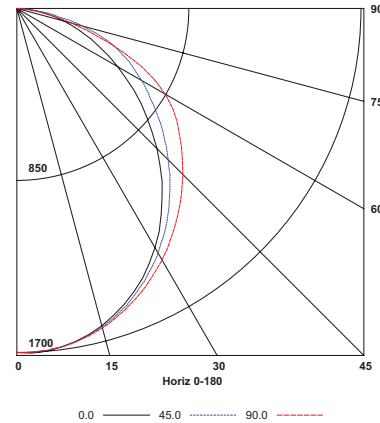
**ZONAL LUMEN SUMMARY**

| Zone  | Lumens | % Lamp | % Fixt. |
|-------|--------|--------|---------|
| 0-30  | 1307   | 28.1   | 28.1    |
| 0-40  | 2117   | 45.6   | 45.6    |
| 0-60  | 3681   | 79.2   | 79.2    |
| 0-90  | 4647   | 100.0  | 100.0   |
| 0-180 | 4647   | 100.0  | 100.0   |

**ENERGY DATA**

|   |  |
|---|--|
| Total Luminaire Efficiency                              | 100.0%                                       |
| Total Lumens per Watt                                   | 124  |
| ANSI/IESNA RP-1-2004 COMPLIANCE                         | Noncompliant                                 |
| Comparative Yearly Lighting Energy Cost per 1000 Lumens | \$1.90 based on 3000 hrs. and \$0.08 per KWH |

**INDOOR CANDELA PLOT**



Test 14.00749 Test Date 11/13/2014

**LUMINAIRE DATA**

|                          |  |
|--------------------------|--|
| Luminaire                | LEPC24-40HLG-LL-EDU<br>LEPC Epc LED Full Distribution, Recessed Architectural<br>2 x 4 LED with frosted linear prisms lenses |
| Ballast                  | D10CC55UNVT-C  |
| Ballast Factor           | 1.00   |
| Lamp                     | LED  |
| Fixture Lumens           | 5199   |
| Watts                    | 42.00  |
| Shielding Angle          | 0° = 90 90° = 90   |
| Spacing Criterion        | 0° = 1.19 90° = 1.25   |
| Luminous Opening in Feet | Length: 3.85<br>Width: 1.88<br>Height: 0.00  |

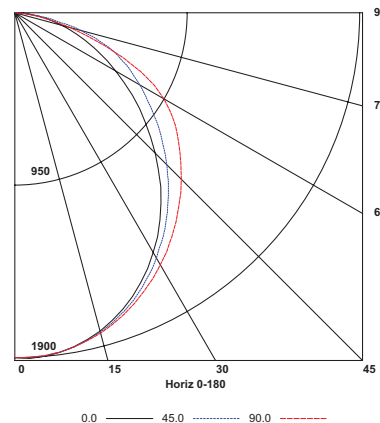
**ZONAL LUMEN SUMMARY**

| Zone  | Lumens | % Lamp | % Fixt. |
|-------|--------|--------|---------|
| 0-30  | 1462   | 28.1   | 28.1    |
| 0-40  | 2368   | 45.6   | 45.6    |
| 0-60  | 4117   | 79.2   | 79.2    |
| 0-90  | 5199   | 100.0  | 100.0   |
| 0-180 | 5199   | 100.0  | 100.0   |

**ENERGY DATA**

|   |  |
|---|--|
| Total Luminaire Efficiency                              | 100.0%                                       |
| Total Lumens per Watt                                   | 124  |
| ANSI/IESNA RP-1-2004 COMPLIANCE                         | Noncompliant                                 |
| Comparative Yearly Lighting Energy Cost per 1000 Lumens | \$1.94 based on 3000 hrs. and \$0.08 per KWH |

**INDOOR CANDELA PLOT**



Test 14.00750 Test Date 11/13/2014

## PHOTOMETRIC DATA

Test 14.00751 Test Date 11/13/2014

### LUMINAIRE DATA

|                             |   |
|-----------------------------|---|
| Luminaire                   | LEPC24-40VLG-LL-EDU<br>LEPC Epc LED Full<br>Distribution, Recessed<br>Architectural<br>2 x 4 LED with frosted<br>linear prisms lenses |
| Ballast                     | D15CC55UNVTW-C  |
| Ballast Factor              | 1.00  |
| Lamp                        | LED   |
| Fixture Lumens              | 7256  |
| Watts                       | 59.90   |
| Shielding Angle             | 0° = 90 90° = 90  |
| Spacing Criterion           | 0° = 1.19 90° = 1.25  |
| Luminous Opening<br>in Feet | Length: 3.85<br>Width: 1.88<br>Height: 0.00   |

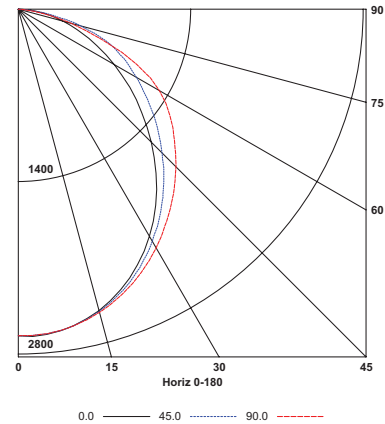
### ZONAL LUMEN SUMMARY

| Zone  | Lumens | % Lamp | % Fixt. |
|-------|--------|--------|---------|
| 0-30  | 2040   | 28.1   | 28.1    |
| 0-40  | 3304   | 45.5   | 45.5    |
| 0-60  | 5745   | 79.2   | 79.2    |
| 0-90  | 7256   | 100.0  | 100.0   |
| 0-180 | 7256   | 100.0  | 100.0   |

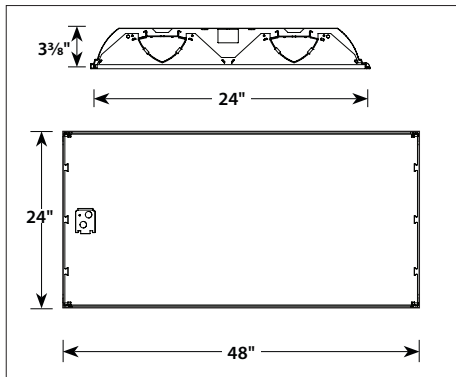
### ENERGY DATA

|  |  |
|--|--|
| Total Luminaire Efficiency                                 | 100.0%   |
| Total Lumens per Watt                                      | 121  |
| ANSI/IESNA RP-1-2004<br>COMPLIANCE                         | Noncompliant                                       |
| Comparative Yearly Lighting<br>Energy Cost per 1000 Lumens | \$1.98 based on<br>3000 hrs. and<br>\$0.08 per KWH |

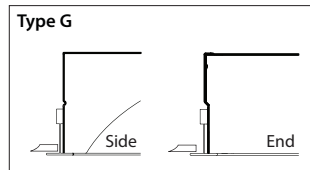
### INDOOR CANDELA PLOT



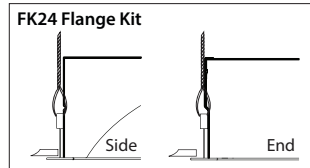
### DIMENSIONAL DATA - GRID



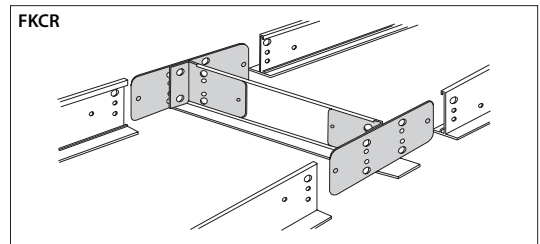
### CEILING COMPATIBILITY



For lay-in installation in exposed grid ceilings. Maximum tee widths of 1" and maximum tee heights of 2" allowed.



For hard ceiling applications, order FK24 flange kit. Flange kit wires directly into concealed ceiling opening for a clean, finished appearance.

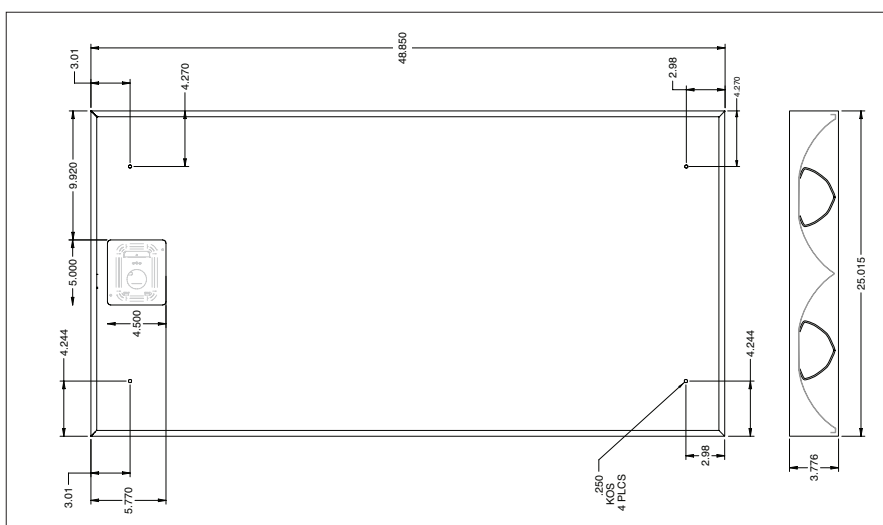


For flanged fixtures in row configurations, the FKCR adapter bracket kit is required in addition to the FK24 kit. Order one less FKCR than the total number of fixtures in row. (Example: Row of two, order (2) FK24 & (1) FKCR)

Row cut out dimensions using FK24s & FKCR adapters:  
Width 24 3/8", Length [48" x (# in row)] + 3/8".  
Example: (48" x 2) + 3/8" = 96 3/8"

**Flange kit cut out dimension for single unit only: 24 3/8" x 48 3/8"**

### DIMENSIONAL DATA - SURFACE MOUNT



**NOTE:** All dimensions are in inches; dimensions and specifications are subject to change without notice. Please consult factory or check sample for verification.