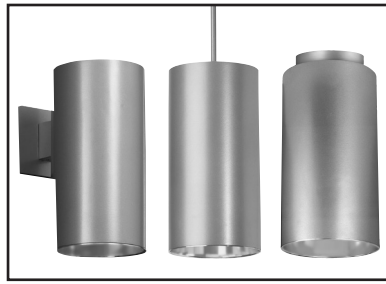


LCC6LED

6" LED CYLINDER, 120 - 277V
0-10V DIMMING, 1000-1800 LUMENS



APPLICATIONS:

LiteForms™ LCC6LED Series is a 6" commercial grade LED cylinder with available outputs between 1000-1800 lumens. This is suitable to replace most indoor/outdoor CFL cylinder applications in a variety of commercial, retail, and institutional spaces to achieve wide distribution illumination patterns on vertical walls or columns while realizing substantial energy and maintenance savings. Rated for a minimum of 50,000 hrs life (70% lumen maintenance) with ambient temperatures up to 30°C (86°F) during operation.

HOUSING:

Seamless heavy gauge extruded aluminum cylinder body with durable powder coat paint finish and die cast aluminum canopy arm (wall mount) in a variety of architectural colors including Prescolite's exclusive Zet, metallic silver.

REFLECTOR:

High purity spun aluminum self-flanged reflector with iridescence suppressed Alzak semi-diffuse anodized (standard) or optional white or black painted finish.

LED LIGHT ENGINE:

The LCC6LED light engines apply mid power Nichia LEDs, specifically mixed to provide a minimum of 80 CRI or 90 CRI with 3 SDCM color consistency. The use of multiple mid power LEDs allows for optimal thermal management by effectively spreading the heat over a larger area, eliminating hot spots. A diffuse yet highly transmissive lens obscures the view of the LEDs and creates a smooth, even look from below.

The light engine is available in multiple lumen packages and Kelvin temperatures to accommodate any design requirement. The system is designed to provide optimal life and lumen maintenance (50,000 hrs at 70% lumen maintenance). The reflector/light engine assembly features a torsion spring installation for mechanical retention to the cylinder housing.

LED DRIVER:

The LCC6LED is offered standard with a 25-watt constant current LED driver with 0-10V flicker free dimming to 10%. Other driver options are available including 0-10V dimming to 1% (DM1), Lutron EcoSystem dimming to 1% (EDM), or Lutron 2-wire Leading Edge dimming to 1% (120V only). All options are Class 2 compliant, have inherent short-circuit and overload protection, and meet UL 8750 with a 50,000 hour minimum anticipated life.

INSTALLATION:

Available cylinder mounting options include wall mount, ceiling/surface mount, pendant stem mount, and cord mount. Each mounting has a quick connect feature that allows easy access for future technology upgrades.

CERTIFICATIONS:

CSA certified to US and Canadian safety standards. Wall mount suitable for wet location. Surface and Pendant suitable for wet location under canopy/covered ceilings only. Cord mount and all Wall Wash suitable for damp locations. This product qualifies as a "designated country construction material" per FAR 52.225-11 Buy American-Construction. Materials under Trade Agreements effective 6/10/2020.

WARRANTY:

5 Year Warranty.

DATE: _____ TYPE: _____

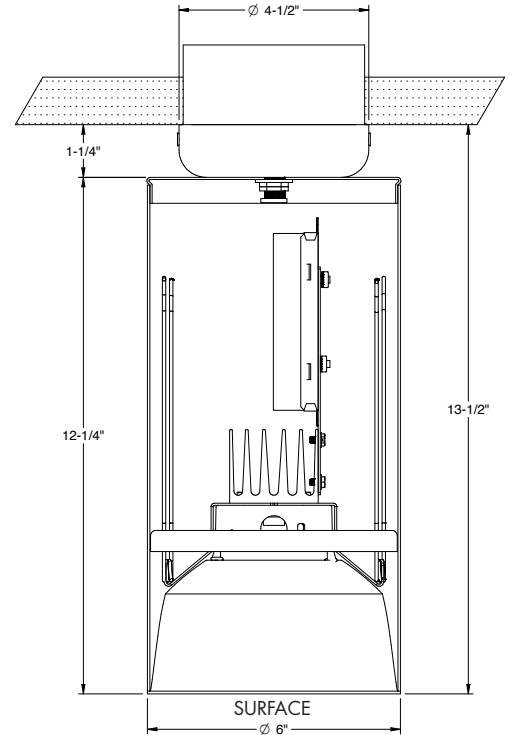
FIRM NAME: _____

PROJECT: _____

LiteForms®



For conversion to millimeters,
multiply inches by 25.4
Not to Scale



Pendant, wall, and cord mount line art on page 4.

CATALOG NUMBER:

EXAMPLE: LCC6LEDP18L35K8WFL45 WH

CYLINDER	MOUNTING	OUTPUT	LED COLOR TEMP	CRI	VOLTAGE	OPTIONS	BEAM	REFLECTOR FINISH	REFLECTOR COLOR	CYLINDER COLOR
<input type="checkbox"/> LCC6LED 6" LED Cylinder	<input type="checkbox"/> P Pendant (18" standard)	<input type="checkbox"/> 10L 1000 Delivered Lumens	<input type="checkbox"/> 27K 2700 Kelvin	<input type="checkbox"/> 8 80+ CRI	<input type="checkbox"/> Blank 120-277 Volt	<input type="checkbox"/> Blank Standard 0-10V dimming to 10%	<input type="checkbox"/> WFL45 45 Degree Cutoff	<input type="checkbox"/> Blank Clear Alzak	<input type="checkbox"/> BC Painted Black Cone	<input type="checkbox"/> BA Brushed Aluminum
	<input type="checkbox"/> S Surface	<input type="checkbox"/> 14L 1400 Delivered Lumens	<input type="checkbox"/> 30K 3000 Kelvin	<input type="checkbox"/> 9 90+ CRI	<input type="checkbox"/> 120V 120V (for 2DM)	<input type="checkbox"/> EDM Hi-Lume 1% EcoSystem LED Driver	<input type="checkbox"/> WW ³ Wall Wash	<input type="checkbox"/> WC Painted White Cone	<input type="checkbox"/> BZ Bronze	
	<input type="checkbox"/> CM ^{1,2} Cord Mount	<input type="checkbox"/> 18L 1800 Delivered Lumens	<input type="checkbox"/> 35K 3500 Kelvin			<input type="checkbox"/> 2DM Hi-Lume 1% 2-wire LED Driver (120V only)			<input type="checkbox"/> BL Matte Black	
	<input type="checkbox"/> W Wall Mount		<input type="checkbox"/> 40K 4000 Kelvin			<input type="checkbox"/> DM1 0-10V dimming to 1%			<input type="checkbox"/> WH Matte White	
			<input type="checkbox"/> 50K 5000 Kelvin						<input type="checkbox"/> Z Zet	

NOTES:

- 1 Cord length 6 feet, clear sleeve
- 2 Plastic bushings are grey on white, brushed aluminum and zet cylinder; black on black and bronze
- 3 Wall Wash not available on Wall mount cylinders.

LCC6LED

6" LED CYLINDER, 120 - 277V
0-10V DIMMING, 1000-1800 LUMENS

DRIVER DATA	LCC6LEDx10L	LCC6LEDx14L	LCC6LEDx18L
Input Voltage	120-277V	120-277V	120-277V
Input Frequency	50/60 Hz	50/60 Hz	50/60 Hz
Input Current	0.112 (120v) 0.049 (277v)	0.149 (120v) 0.065 (277v)	0.186 (120v) 0.081 (277v)
Input Power	13.5W	17.9W	22.3W
Constant Current Output	700mA	700mA	700mA
Power Factor	≥0.90	≥0.90	≥0.90
THD	<25%	<20%	<20%
EMI Filtering	FCC 47CFR Part 15, Class A	FCC 47CFR Part 15, Class A	FCC 47CFR Part 15, Class A
Operating Temperature	-30°C to +30°C	-30°C to +30°C	-30°C to +30°C
Dimming (standard)	0-10V	0-10V	0-10V
Over-voltage, over-current, short-circuit protected			
Lumen output & input wattage may vary slightly with EDM/2DM/DM1 Driver options			

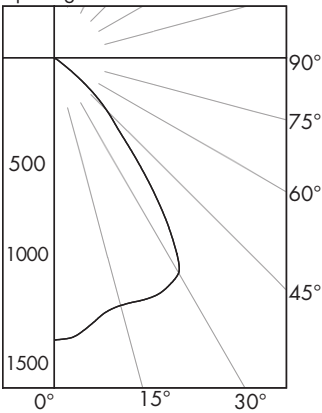
Lumen Multiplier Table

Unless specified, photometrics for the LCC6LED are published below at a nominal 3500 Kelvin temperature. This table may be used to approximate the lumen values at different Kelvin temperatures. Power consumption will stay the same.

5000 Kelvin	1.09
4000 Kelvin	1.00
3500 Kelvin	1.00
3000 Kelvin	0.99
2700 Kelvin	0.96

LCC6LEDS18L35K8WFL45WH

LED Light Engine: 3500K, 80+ CRI
System Wattage: 22.3W
Fixture Delivered Lumens: 1941
Fixture Efficacy: 87.0
Spacing Criteria: 1.1



CANDELA DISTRIBUTION

DEG	CANDELA
0	1368
5	1345
15	1243
25	1247
35	923
45	357
55	27
65	5
75	1
85	0
90	0

ZONAL LUMEN SUMMARY

ZONE	LUMENS	%LUMINAIRE
0-60	1935	99.7
0-90	1941	100.0
90-180	0	0.0
0-180	1941	100.0

LUMINANCE DATA IN CANDELA/SQ. METER

Angle in Vertical	Average
45°	27667
55°	2580
65°	648
75°	212
85°	0

COEFFICIENTS OF UTILIZATION Zonal Cavity Method

Room Cavity Ratio	% Effective Ceiling Cavity Reflectance																
	80%		70%		50%		30%		10%								
	70	50	30	10	70	50	30	10	50	30	10						
1	113	110	107	105	110	108	105	103	104	102	100	100	98	97	96	95	94
2	106	101	97	93	104	99	95	92	96	93	90	93	90	88	90	88	86
3	100	93	87	83	98	92	86	82	89	85	81	86	83	80	84	81	78
4	94	86	79	75	92	84	79	74	82	77	73	80	76	72	78	75	72
5	89	79	73	68	87	78	72	67	76	71	67	74	70	66	73	69	66
6	83	73	66	62	82	72	66	61	71	65	61	69	64	60	68	63	60
7	78	68	61	56	77	67	61	56	66	60	56	64	59	55	63	59	55
8	74	63	56	52	72	62	56	52	61	55	51	60	55	51	59	54	51
9	70	59	52	48	68	58	52	48	57	51	47	56	51	47	55	51	47
10	66	55	48	44	65	54	48	44	54	48	44	53	47	44	52	47	44

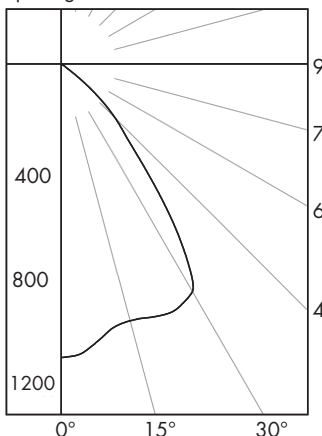
LCC6LEDS18L35K8WFL45WH

Test No. 16.03154

Test No. 16.03154
Tested at 25°C Ambient in accordance to IESNA LM-79-2008

LCC6LEDS14L35K8WFL45WH

LED Light Engine: 3500K, 80+ CRI
System Wattage: 17.9W
Fixture Delivered Lumens: 1520
Fixture Efficacy: 84.9
Spacing Criteria: 1.1



CANDELA DISTRIBUTION

DEG	CANDELA
0	1072
5	1050
15	971
25	990
35	721
45	277
55	20
65	4
75	1
85	0
90	0

ZONAL LUMEN SUMMARY

ZONE	LUMENS	%LUMINAIRE
0-60	1515	99.7
0-90	1520	100.0
90-180	0	0.0
0-180	1520	100.0

LUMINANCE DATA IN CANDELA/SQ. METER

Angle in Vertical	Average
45°	21467
55°	1911
65°	519
75°	212
85°	0

COEFFICIENTS OF UTILIZATION Zonal Cavity Method

Room Cavity Ratio	% Effective Ceiling Cavity Reflectance																
	80%		70%		50%		30%		10%								
	70	50	30	10	70	50	30	10	50	30	10						
1	113	110	107	105	110	108	105	103	104	102	100	100	98	97	96	95	94
2	106	101	97	93	104	99	95	92	96	93	90	93	90	88	90	88	86
3	100	93	87	83	98	92	86	82	89	85	81	86	83	80	84	81	78
4	94	86	80	75	92	85	79	74	82	77	73	80	76	73	78	75	72
5	89	79	73	68	87	78	72	67	76	71	67	74	70	66	73	69	66
6	83	73	66	62	82	72	66	61	71	65	61	69	64	60	68	64	60
7	78	68	61	56	77	67	61	56	66	60	56	65	59	56	63	59	55
8	74	63	56	52	72	62	56	52	61	55	51	60	55	51	59	54	51
9	70	59	52	48	68	58	52	48	57	51	47	56	51	47	55	51	47
10	66	55	48	44	65	54	48	44	54	48	44	53	47	44	52	47	44

LCC6LEDS14L35K8WFL45WH

Test No. 16.03155

Test No. 16.03155
Tested at 25°C Ambient in accordance to IESNA LM-79-2008

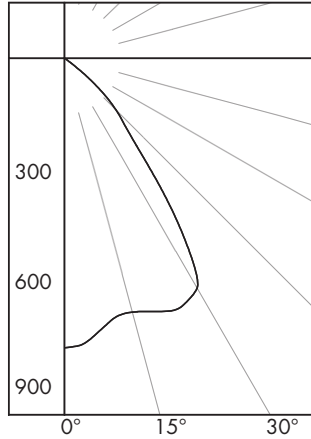
LCC6LED

6" LED CYLINDER, 120 - 277V
0-10V DIMMING, 1000-1800 LUMENS

LCC6LED510L35K8WFL45WH

LED Light Engine: 3500K, 80+ CRI
System Wattage: 13.5W
Fixture Delivered Lumens: 1106
Fixture Efficacy: 81.9
Spacing Criteria: 1.1

CANDELA DISTRIBUTION



DEG	CANDELA
90°	0
	780
	5
	762
75°	15
	708
	25
	740
	35
	518
60°	45
	196
	55
	15
	65
	3
45°	75
	1
	85
	0
	90
	0

ZONAL LUMEN SUMMARY

ZONE	LUMENS	%LUMINAIRE
0-60	1103	99.7
0-90	1106	100.0
90-180	0	0.0
0-180	1106	100.0

LUMINANCE DATA IN CANDELA/SQ. METER

Angle in Vertical	Average
45°	15190
55°	1433
65°	389
75°	212
85°	0

COEFFICIENTS OF UTILIZATION Zonal Cavity Method

Room Cavity Ratio	% Effective Ceiling Cavity Reflectance																
	80%		70%		50%		30%		10%								
	70	50	30	10	70	50	30	10	50	30	10	50	30	10			
	% Effective Floor Cavity Reflectance																
	% Wall Reflectance																
	70	50	30	10	70	50	30	10	50	30	10	50	30	10			
1	113	110	107	105	110	108	105	103	104	102	100	100	98	97	96	95	94
2	107	101	97	93	104	99	95	92	96	93	90	93	90	88	90	88	86
3	100	93	88	83	98	92	87	82	89	85	81	86	83	80	84	81	79
4	94	86	80	75	92	85	79	74	82	77	74	80	76	73	78	75	72
5	89	79	73	68	87	78	72	68	76	71	67	75	70	66	73	69	66
6	83	73	67	62	82	73	66	62	71	65	61	69	65	61	68	64	60
7	78	68	61	57	77	67	61	56	66	60	56	65	60	56	64	59	55
8	74	63	57	52	73	63	56	52	61	56	52	60	55	51	59	55	51
9	70	59	52	48	69	58	52	48	57	52	48	57	51	47	56	51	47
10	66	55	49	44	65	55	48	44	54	48	44	53	48	44	52	47	44

LCC6LED510L35K8WFL45WH

Test No. 16.03156

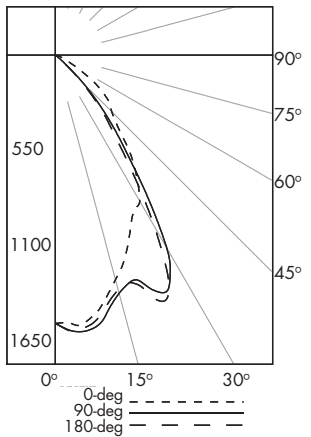
Test No. 16.03156

Tested at 25°C Ambient in accordance to IESNA LM-79-2008

LCC6LED518L35K8WW BL

LED Light Engine: 3500K, 80+ CRI
System Wattage: 22.2W
Fixture Delivered Lumens: 1938
Fixture Efficacy: 87.3

CANDELA DISTRIBUTION



DEG	0	90	180	
90°	0	1527	1527	1527
	5	1545	1581	1565
	15	1324	1404	1383
	25	1030	1489	1517
	35	792	780	670
	45	454	219	189
	55	273	8	8
	65	64	2	2
	75	9	1	1
	85	0	0	0
	90	0	0	0

LUMINANCE DATA IN CANDELA/SQ. METER

Angle in Vertical	0 DEG	90 DEG	180 DEG
45°	38311	18480	15949
55°	28400	832	832
65°	9036	282	282
75°	2075	231	231
85°	0	0	0

MULTIPLE UNITS											
1' 2' 3' 4'				UNITS ON 3' CENTER				UNITS ON 4' CENTER			

2' DISTANCE FIXTURE MOUNTED OUT FROM WALLS												
FOOTCANDLE DISTRIBUTION ON WALL SURFACE (DIRECT ONLY)												
DISTANCE FROM CEILING IN FEET	1	15	11	6	2	1	15	5	15	15	1	15
	2	40	36	26	13	5	41	27	41	40	10	40
	3	36	35	28	18	11	41	36	41	36	22	36
	4	22	22	22	19	13	33	39	33	25	27	25
	5	14	14	14	14	13	27	30	27	20	25	20
	6	10	10	9	9	9	24	22	24	16	19	16
	7	7	7	6	6	6	19	18	19	14	14	14
	8	5	5	5	4	4	15	15	15	12	11	12
	9	4	4	3	3	3	12	13	12	10	9	10

LCC6LED518L35KWW BL

Test No. 17.00327

Test No. 17.00327

Tested at 25°C Ambient in accordance to IESNA LM-79-2008

LCC6LED

6" LED CYLINDER, 120 - 277V
0-10V DIMMING, 1000-1800 LUMENS

DIMMING COMPATIBILITY

For more details and recommended dimmer list, see Dimming Compatibility Information on currentlighting.com/prescolite.

