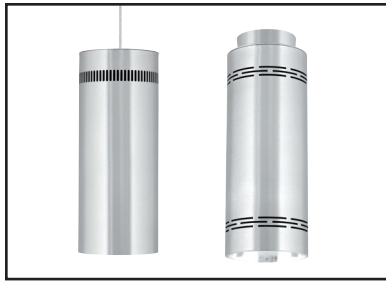


# LCC6LED 24L/30L

6" LED CYLINDER,  
120 - 277V, 0-10V DIMMING,  
2400 & 3000 LUMENS



**APPLICATIONS:**

LiteForms™ LCC6LED Series is a 6" commercial grade LED cylinder with available outputs between 2400-3000 lumens. This is suitable to replace most indoor CFL cylinder applications in a variety of commercial, retail, and institutional spaces to achieve wide distribution illumination patterns on vertical walls or columns while realizing substantial energy and maintenance savings. Rated for a minimum of 50,000 hrs life (70% lumen maintenance) with ambient temperatures up to 35°C (95°F) for 24L or 30°C (86°F) for 30L during operation.

**HOUSING:**

Seamless heavy gauge aluminum cylinder body with durable powder coat paint finish and die cast aluminum canopy arm (wall mount) in a variety of architectural colors including Prescolite's exclusive Zet, metallic silver. Four vent slot configurations are available. H1 and V1 have vent slots in reflector. See line art on page 4.

**REFLECTOR:**

High purity spun aluminum self-flanged reflector with iridescence suppressed Alzak semi-diffuse anodized (standard) or optional white or black painted finish. Wall Wash options are available.

**LED LIGHT ENGINE:**

The LCC6LED 24L/30L light engines apply mid power Nichia LEDs, specifically mixed to provide a minimum of 80 CRI or 90 CRI with 3 SDCM color consistency. The use of multiple mid power LEDs allows for optimal thermal management by effectively spreading the heat over a larger area, eliminating hot spots on the LEDs. A diffuse yet highly transmissive lens obscures the view of the LEDs and creates a smooth, even look from below.

The light engine is available in multiple lumen packages and Kelvin temperatures to accommodate any design requirement. The system is designed to provide optimal life and lumen maintenance (50,000 hrs at 70% lumen maintenance). The reflector/light engine assembly features a torsion spring installation for mechanical retention to the cylinder housing.

**LED DRIVER/DIMMING:**

The LCC6LED is offered standard with a 40-watt constant current Osram LED driver with 0-10V flicker free dimming to 10%. Osram LED 0-10V dimming to 1% (DM1) is also available. For sizing of the circuit may require up to 1.2mA of sink current. See list of compatible drivers on page 4. All driver options are Class 2 compliant, have inherent short-circuit and overload protection, and meet UL 8750 with a 50,000 hour minimum anticipated life.

**INSTALLATION:**

Available cylinder mounting options include wall mount, ceiling/surface mount, pendant stem mount, and cord/cable mount. Each mounting has a quick connect feature that allows easy access for future technology upgrades.

**CERTIFICATIONS:**

CSA certified to US and Canadian safety standards. Suitable for damp locations. This product qualifies as a "designated country construction material" per FAR 52.225-11 Buy American-Construction. Materials under Trade Agreements effective 6/10/2020.

**WARRANTY:**

5 Year Warranty.

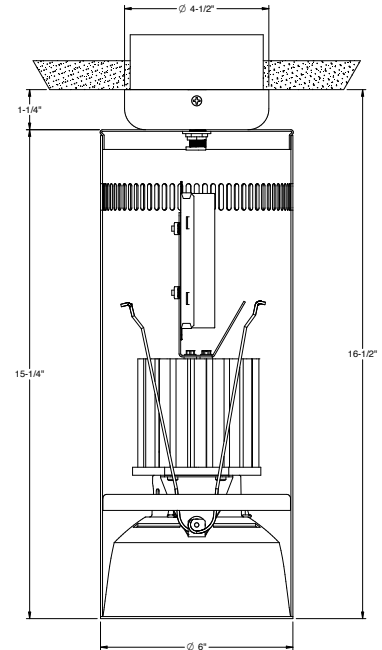
DATE: \_\_\_\_\_ TYPE: \_\_\_\_\_

FIRM NAME: \_\_\_\_\_

PROJECT: \_\_\_\_\_



For conversion to millimeters,  
multiply inches by 25.4  
Not to Scale



SURFACE, V1 Shown

Pendant, wall, cord/cable, and vent option line art on page 4.

CATALOG NUMBER:

EXAMPLE: LCC6LEDV2S24L35K8WFL45 WH

CYLINDER	VENTING	MOUNTING	OUTPUT	LED COLOR TEMP	CRI	VOLTAGE	OPTIONS	BEAM	REFLECTOR FINISH	REFLECTOR COLOR	CYLINDER COLOR
<input type="checkbox"/> LCC6LED 6" LED Cylinder	<input type="checkbox"/> H1 Horizontal Top only <input type="checkbox"/> H2 Horizontal Top/Bottom <input type="checkbox"/> V1 Vertical Top only <input type="checkbox"/> V2 Vertical Top/Bottom	<input type="checkbox"/> P Pendant (18" standard) <input type="checkbox"/> S Surface <input type="checkbox"/> CM1 Cord/Cable Mount <input type="checkbox"/> W Wall Mount	<input type="checkbox"/> 24L 2400 Delivered Lumens <input type="checkbox"/> 30L 3000 Delivered Lumens	<input type="checkbox"/> 27K 2700 Kelvin <input type="checkbox"/> 30K 3000 Kelvin <input type="checkbox"/> 35K 3500 Kelvin <input type="checkbox"/> 40K 4000 Kelvin <input type="checkbox"/> 50K 5000 Kelvin	<input type="checkbox"/> 8 80+ CRI <input type="checkbox"/> 9+ 90+ CRI	<input type="checkbox"/> Blank 120-277 Volt	<input type="checkbox"/> Blank Standard 0-10V dimming to 10% <input type="checkbox"/> DM1 Osram dimming to 1% 0-10V	<input type="checkbox"/> WFL45 45 Degree Cutoff <input type="checkbox"/> WW2 Wall Wash	<input type="checkbox"/> Blank Clear Alzak	<input type="checkbox"/> BC Painted Black Cone <input type="checkbox"/> WC Painted White Cone	<input type="checkbox"/> BA Brushed Aluminum <input type="checkbox"/> BZ Bronze <input type="checkbox"/> BL Matte Black <input type="checkbox"/> WH Matte White <input type="checkbox"/> Z Zet

- NOTES:  
1 Cord/Cable length 6 feet, clear sleeve  
2 Wall Wash not available on Wall mount cylinders.  
3 90 CRI not available with 40K or 50K

**LCC6LED**  
**24L/30L**

6" LED CYLINDER,  
120 - 277V, 0-10V DIMMING,  
2400 & 3000 LUMENS

DRIVER DATA	LCC6LEDx24L	LCC6LEDx30L
Input Voltage	120-277V	120-277V
Input Frequency	50/60 Hz	50/60 Hz
Input Current	0.269 (120v) 0.116 (277v)	0.340 (120v) 0.147 (277v)
Input Power	32.2W	40.7W
Constant Current Output	675mA	675mA
Power Factor	≥0.90	≥0.90
THD	<20%	<20%
EMI Filtering	FCC 47CFR Part 15, Class A	FCC 47CFR Part 15, Class A
Operating Temperature	-30°C to +35°C	-30°C to +30°C
Dimming (standard)	0-10V	0-10V
Over-voltage, over-current, short-circuit protected		

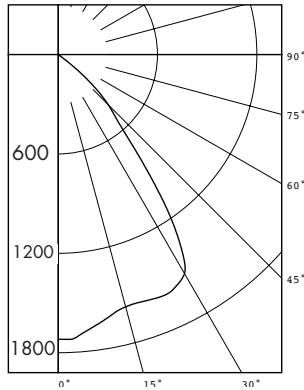
**Lumen Multiplier Table**

Unless specified, photometrics for the LCC6LED are published below at a nominal 3000 or 3500 Kelvin temperature. This table may be used to approximate the lumen values at different Kelvin temperatures. Power consumption would stay the same.

5000 Kelvin	1.14
4000 Kelvin	1.03
3500 Kelvin	1.00
3000 Kelvin	1.00
2700 Kelvin	0.91

**LCC6LEDV2S24L35K8WFL45BL**

LED Light Engine: 3500K, 80+ CRI  
System Wattage: 32.2W  
Fixture Delivered Lumens: 2426  
Fixture Efficacy: 75.3  
Spacing Criteria: 1.1



**CANDELA DISTRIBUTION**

DEG	CANDELA
0	1718
5	1689
15	1577
25	1587
35	1161
45	428
55	28
65	7
75	2
85	0
90	0

Test No. 15.02355  
Tested at 25°C Ambient in accordance to IESNA LM-79-2008

**ZONAL LUMEN SUMMARY**

ZONE	LUMENS	% LUMINAIRE
0-30	1336	55.1
0-40	2035	83.9
0-60	2417	99.6
0-90	2426	100.0

**LUMINANCE DATA IN CANDELA/ SQ. METER**

Angle in Vertical	Average
45°	33170
55°	2675
65°	908
75°	423
85°	0

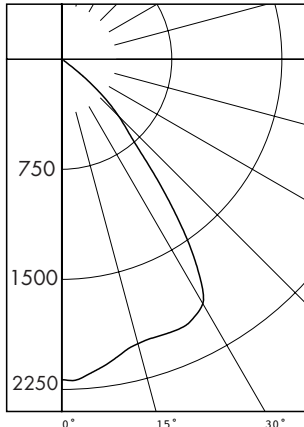
**COEFFICIENTS OF UTILIZATION** Zonal Cavity Method

Room Cavity Ratio	% Effective Ceiling Cavity Reflectance																
	80%		70%		50%		30%		10%								
	70	50	30	10	70	50	30	10	50	30	10	50	30	10			
20% Effective Floor Cavity Reflectance																	
% Wall Reflectance																	
1	113	110	107	105	110	108	105	103	104	102	100	100	98	97	96	95	94
2	107	101	97	93	104	99	95	92	96	93	90	93	90	88	90	88	86
3	100	93	88	83	98	92	87	82	89	85	81	87	83	80	84	81	79
4	94	86	80	75	92	85	79	74	82	77	74	80	76	73	78	75	72
5	89	79	73	68	87	78	72	68	76	71	67	75	70	66	73	69	66
6	83	73	67	62	82	73	66	62	71	65	61	70	65	61	68	64	60
7	78	68	61	57	77	67	61	56	66	60	56	65	60	56	64	59	55
8	74	63	57	52	73	63	56	52	62	56	52	60	55	51	59	55	51
9	70	59	52	48	69	58	52	48	57	52	48	56	51	47	56	51	47
10	66	55	49	44	65	55	48	44	54	48	44	53	48	44	52	47	44

LCC6LEDV2S24L35K8WFL45BL Test No. 15.02355

**LCC6LEDV2S30L35K8WFL45BL**

LED Light Engine: 3500K, 80+ CRI  
System Wattage: 40.7W  
Fixture Delivered Lumens: 3089  
Fixture Efficacy: 75.9  
Spacing Criteria: 1.1



**CANDELA DISTRIBUTION**

DEG	CANDELA
0	2183
5	2152
15	2007
25	2001
35	1480
45	548
55	35
65	8
75	2
85	0
90	0

Test No. 15.02330  
Tested at 25°C Ambient in accordance to IESNA LM-79-2008

**ZONAL LUMEN SUMMARY**

ZONE	LUMENS	%LUMINAIRE
0-30	1691	54.8
0-40	2587	83.7
0-60	3079	99.7
0-90	3089	100.0

**LUMINANCE DATA IN CANDELA/ SQ. METER**

Angle in Vertical	Average
45°	46243
55°	3641
65°	1130
75°	461
85°	0

**COEFFICIENTS OF UTILIZATION** Zonal Cavity Method

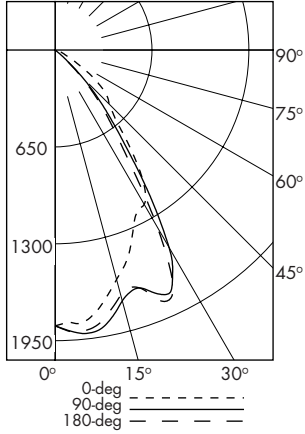
Room Cavity Ratio	% Effective Ceiling Cavity Reflectance																
	80%		70%		50%		30%		10%								
	70	50	30	10	70	50	30	10	50	30	10	50	30	10			
20% Effective Floor Cavity Reflectance																	
% Wall Reflectance																	
1	113	110	107	105	110	108	105	103	104	102	100	100	98	97	96	95	94
2	107	101	97	93	104	99	95	92	96	93	90	93	90	88	90	88	86
3	100	93	88	83	98	92	87	82	89	85	81	86	83	80	84	81	79
4	94	86	80	75	92	85	79	74	82	77	74	80	76	73	78	75	72
5	89	79	73	68	87	78	72	68	76	71	67	75	70	66	73	69	66
6	83	73	67	62	82	73	66	62	71	65	61	69	65	61	68	64	60
7	78	68	61	57	77	67	61	56	66	60	56	65	60	56	64	59	55
8	74	63	57	52	73	63	56	52	62	56	52	60	55	51	59	55	51
9	70	59	52	48	69	58	52	48	57	52	48	56	51	47	56	51	47
10	66	55	49	44	65	55	48	44	54	48	44	53	48	44	52	47	44

LCC6LEDV2S30L35K8WFL45BL Test No. 15.02330

**LCC6LED**  
**24L/30L**

6" LED CYLINDER,  
120 - 277V, 0-10V DIMMING,  
2400 & 3000 LUMENS

**LCC6LEDV2524L30K8WWBL**  
LED Light Engine: 3000K, 80+ CRI  
System Wattage: 32.4W  
Fixture Delivered Lumens: 2331  
Fixture Efficacy: 71.9



**CANDELA DISTRIBUTION**

DEG	0	90	180
0	1850	1850	1850
5	1842	1907	1894
15	1594	1742	1702
25	1261	1804	1837
35	994	936	771
45	514	261	223
55	290	9	8
65	72	3	3
75	12	2	2
85	1	0	0
90	0	0	0

**LUMINANCE DATA IN CANDELA/SQ. METER**

Angle in Vertical	0 DEG	90 DEG	180 DEG
45°	43374	22024	18818
55°	30169	936	832
65°	10166	424	424
75°	2767	461	461
85°	685	0	0

				MULTIPLE UNITS			
				UNITS ON 3' CENTER		UNITS ON 4' CENTER	
1'	2'	3'	4'	1'	2'	3'	4'

**2.5' DISTANCE FIXTURE MOUNTED OUT FROM WALLS**  
**FOOTCANDLE DISTRIBUTION ON WALL SURFACE (Direct Only)**

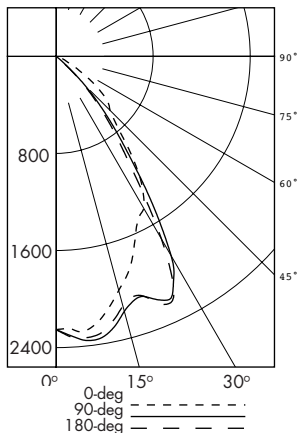
DISTANCE FROM CEILING IN FEET	1'	2'	3'	4'	1'	2'	3'	4'	1'	2'	3'	4'
1	7	4	1	0	0	7	4	7	7	1	7	7
2	30	20	5	1	0	32	21	32	31	9	31	31
3	29	21	11	2	0	33	33	33	30	22	30	30
4	27	24	13	5	1	38	39	38	30	26	30	30
5	18	17	14	7	3	31	37	31	24	29	24	24
6	12	12	11	8	4	29	28	29	20	24	20	20
7	9	8	8	7	4	26	23	26	18	18	18	18
8	7	6	6	6	4	21	20	21	16	14	16	16
9	5	5	4	4	4	17	17	17	14	12	14	14

LCC6LEDV2524L30K8WWBL

Test No. 16.00140

Test No. 16.00140  
Tested at 25°C Ambient in accordance to IESNA LM-79-2008

**LCC6LEDV2530L30K8WWBL**  
LED Light Engine: 3000K, 80+ CRI  
System Wattage: 41.4W  
Fixture Delivered Lumens: 2905  
Fixture Efficacy: 70.2



**CANDELA DISTRIBUTION**

DEG	0	90	180
0	2251	2251	2251
5	2278	2341	2329
15	1997	2175	2129
25	1565	2211	2239
35	1197	1194	1007
45	630	332	293
55	354	13	11
65	92	5	4
75	15	3	3
85	1	0	0
90	0	0	0

**LUMINANCE DATA IN CANDELA/SQ. METER**

Angle in Vertical	0 DEG	90 DEG	180 DEG
45°	53162	28016	24725
55°	36827	1352	1144
65°	12989	706	565
75°	3458	692	692
85°	685	0	0

				MULTIPLE UNITS			
				UNITS ON 3' CENTER		UNITS ON 4' CENTER	
1'	2'	3'	4'	1'	2'	3'	4'

**2.5' DISTANCE FIXTURE MOUNTED OUT FROM WALLS**  
**FOOTCANDLE DISTRIBUTION ON WALL SURFACE (Direct Only)**

DISTANCE FROM CEILING IN FEET	1'	2'	3'	4'	1'	2'	3'	4'	1'	2'	3'	4'
1	9	5	1	0	0	9	5	9	9	2	9	9
2	37	24	6	1	0	39	26	39	37	11	37	37
3	36	27	14	3	1	42	41	42	37	27	37	37
4	32	29	16	7	2	47	48	47	36	33	36	36
5	22	21	17	9	4	39	46	39	29	35	29	29
6	15	14	14	10	5	36	35	36	25	29	25	25
7	11	11	10	9	5	32	29	32	22	23	22	22
8	8	8	7	7	5	26	25	26	20	18	20	20
9	6	6	6	5	5	21	22	21	17	15	17	17

LCC6LEDV2530L30K8WWBL

Test No. 16.00141

Test No. 16.00141  
Tested at 25°C Ambient in accordance to IESNA LM-79-2008

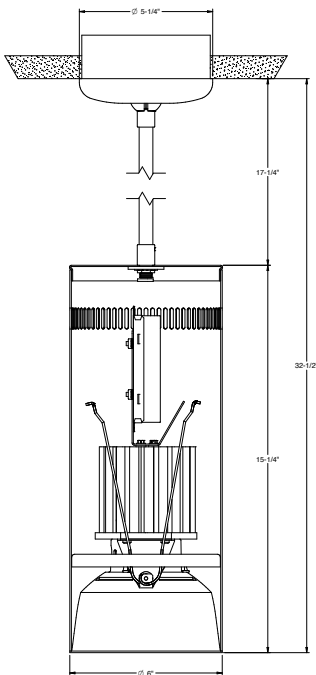
# LCC6LED 24L/30L

6" LED CYLINDER,  
120 - 277V, 0-10V DIMMING,  
2400 & 3000 LUMENS

## DIMMING COMPATIBILITY

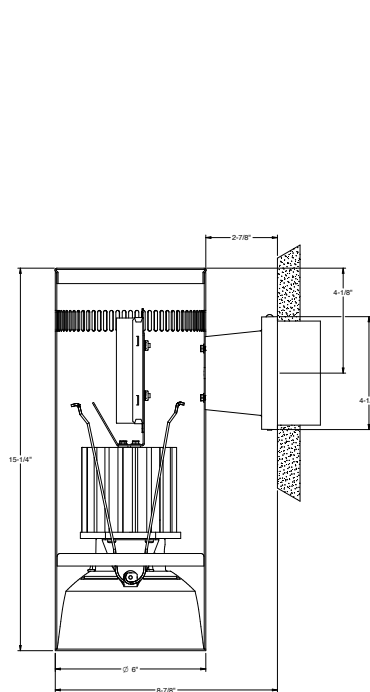
For more details and recommended dimmer list, see Dimming Compatibility Information on [currentlighting.com/prescolite](http://currentlighting.com/prescolite).

### PENDANT MOUNT



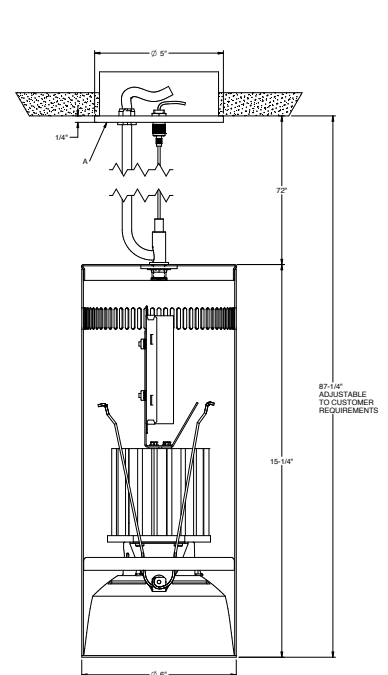
LCC6LEDV1 P

### WALL MOUNT



LCC6LEDV1 W

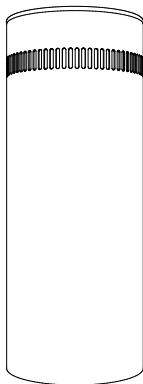
### CORD/CABLE MOUNT



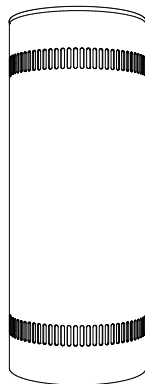
LCC6LEDV1 CM

Note A: The canopy will be painted zeta on brushed aluminum. All others will match cylinder color.

### VENTING



V1



V2



H1



H2