

LCC8LED

8" LED CYLINDER
120 - 277V, 0-10V DIMMING
1000-2400 LUMENS



APPLICATIONS:

LiteForms™ LCC8LED Series is a 8" commercial grade LED cylinder with available outputs between 1000-2400 lumens. This is suitable to replace most indoor/outdoor CFL cylinder applications in a variety of commercial, retail, and institutional spaces to achieve wide distribution illumination patterns on vertical walls or columns while realizing substantial energy and maintenance savings. Rated for a minimum of 50,000 hrs life (70% lumen maintenance) with ambient temperatures up to 30°C (86°F) during operation.

HOUSING:

Seamless heavy gauge aluminum cylinder body with durable powder coat paint finish and die cast aluminum canopy arm (wall mount) in a variety of architectural colors including Prescolite's exclusive Zet, metallic silver.

REFLECTOR:

High purity spun aluminum self-flanged reflector with iridescence suppressed Alzak semi-diffuse anodized (standard) or optional white or black painted finish.

LED LIGHT ENGINE:

The LCC8LED light engines apply mid power Nichia LEDs, specifically mixed to provide a minimum of 80 CRI or 90 CRI with 3 SDCM color consistency. The use of multiple mid power LEDs allows for optimal thermal management by effectively spreading the heat over a larger area, eliminating hot spots. A diffuse yet highly transmissive lens obscures the view of the LEDs and creates a smooth, even look from below.

The light engine is available in multiple lumen packages and Kelvin temperatures to accommodate any design requirement. The system is designed to provide optimal life and lumen maintenance (50,000 hrs at 70% lumen maintenance). The reflector/light engine assembly features a torsion spring installation for mechanical retention to the cylinder housing.

LED DRIVER:

The LCC8LED is offered standard with a constant current LED driver with 0-10V flicker free dimming to 10%. Other driver options are available including 0-10V dimming to 1% (DM1), Lutron EcoSystem dimming to 1% (EDM), or Lutron 2-wire Leading Edge dimming to 1% (120V only). All options are Class 2 compliant, have inherent short-circuit and overload protection, and meet UL 8750 with a 50,000 hour minimum anticipated life.

INSTALLATION:

Available cylinder mounting options include wall mount, ceiling/surface mount, pendant stem mount, cord/cable mount. Each mounting has a quick connect feature that allows easy access for future technology upgrades.

CERTIFICATIONS:

CSA certified to US and Canadian safety standards. Wall mount suitable for wet location. Pendant suitable for wet location under canopy/covered ceilings only. Surface and Cord/cable mount suitable for damp locations. This product qualifies as a "designated country construction material" per FAR 52.225-11 Buy American-Construction. Materials under Trade Agreements effective 6/10/2020.

WARRANTY:

5 Year Warranty.

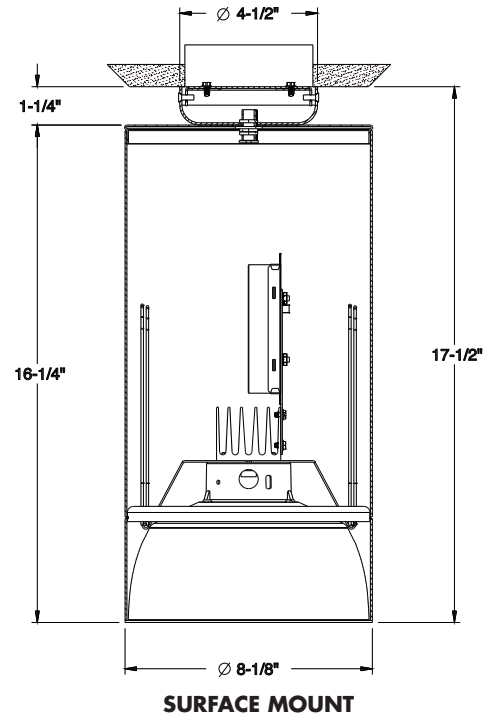
DATE: _____ TYPE: _____

FIRM NAME: _____

PROJECT: _____

LiteForms®

For conversion to millimeters,
multiply inches by 25.4
Not to Scale



Pendant, wall, cord/cable mount
line art on page 4.

CATALOG NUMBER:

EXAMPLE: LCC8LEDP24L35K8WFL45 WH

CYLINDER	MOUNTING	OUTPUT	LED COLOR TEMP	CRI	VOLTAGE	OPTIONS	BEAM	REFLECTOR FINISH	REFLECTOR COLOR	CYLINDER COLOR
<input type="checkbox"/> LCC8LED 8" LED Cylinder	<input type="checkbox"/> P Pendant (18" standard) <input type="checkbox"/> S Surface <input type="checkbox"/> CM ¹ Cord/Cable Mount <input type="checkbox"/> W Wall Mount	<input type="checkbox"/> 10L 1000 Delivered Lumens <input type="checkbox"/> 14L 1400 Delivered Lumens <input type="checkbox"/> 18L 1800 Delivered Lumens <input type="checkbox"/> 24L 2400 Delivered Lumens	<input type="checkbox"/> 27K 2700 Kelvin <input type="checkbox"/> 30K 3000 Kelvin <input type="checkbox"/> 35K 3500 Kelvin <input type="checkbox"/> 40K 4000 Kelvin <input type="checkbox"/> 50K 5000 Kelvin	<input type="checkbox"/> 8 80+ CRI <input type="checkbox"/> 9 ³ 90+ CRI	<input type="checkbox"/> Blank 120-277 Volt <input type="checkbox"/> 120V 120V (for 2DM)	<input type="checkbox"/> Blank Standard 0-10V dimming to 10% <input type="checkbox"/> EDM ² Hi-Lume 1% EcoSystem LED Driver <input type="checkbox"/> 2DM ³ Hi-Lume 1% 2-wire LED Driver (120V only) <input type="checkbox"/> DM1 Osram dimming to 1% 0-10V	<input type="checkbox"/> WFL45 45 Degree Cutoff	<input type="checkbox"/> Blank Clear Alzak	<input type="checkbox"/> BC Painted Black Cone <input type="checkbox"/> WC Painted White Cone	<input type="checkbox"/> BA Brushed Aluminum <input type="checkbox"/> BZ Bronze <input type="checkbox"/> BL Matte Black <input type="checkbox"/> WH Matte White <input type="checkbox"/> Z Zet

NOTES:
1 Cord length 6 feet, clear sleeve
2 Not available on 24L
3 90 CRI not available on 24L 40K or 50K

LCC8LED

8" LED CYLINDER
120 - 277V, 0-10V DIMMING
1000-2400 LUMENS

DRIVER DATA	LCC8LEDx10L	LCC8LEDx14L	LCC8LEDx18L	LCC8LEDx24L
Input Voltage	120-277V	120-277V	120-277V	120-277V
Input Frequency	50/60 Hz	50/60 Hz	50/60 Hz	50/60 Hz
Input Current	0.111 (120v)	0.148(120v)	0.185 (120v)	0.275 (120V)
	0.048 (277v)	0.064 (277v)	0.080 (277v)	0.119 (277V)
Input Power	13.3W	17.7W	22W	33W
Constant Current Output	700mA	700mA	700mA	675mA
Power Factor	≥0.90	≥0.90	≥0.90	≥0.90
THD	<25%	<20%	<20%	<20%
EMI Filtering	FCC 47CFR Part 15, Class A	FCC 47CFR Part 15, Class A	FCC 47CFR Part 15, Class A	FCC 47CFR Part 15, Class A
Operating Temperature	-30°C to +30°C	-30°C to +30°C	-30°C to +30°C	-30°C to +30°C
Dimming (standard)	0-10V	0-10V	0-10V	0-10V

Over-voltage, over-current, short-circuit protected
Lumen output & input wattage may vary slightly with EDM/2DM/DM1 Driver options

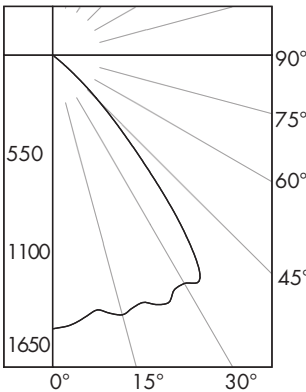
Lumen Multiplier Table

Photometrics for the LCC8LED are published below at the nominal temperatures of 3500 Kelvin. This table may be used to approximate the lumen values at different Kelvin temperatures. Power consumption would stay the same.

5000 Kelvin	1.09
4000 Kelvin	1.00
3500 Kelvin	1.00
3000 Kelvin	0.99
2700 Kelvin	0.96

LCC8LEDs24L35K8WFL45 BL

LED Light Engine: 3500K, 80+ CRI
System Wattage: 33.0W
Fixture Delivered Lumens: 2522
Fixture Efficacy: 76.4
Spacing Criteria: 1.2



CANDELA DISTRIBUTION

DEG	CANDELA
0	1609
5	1569
15	1592
25	1673
35	1497
45	371
55	12
65	5
75	2
85	0
90	0

ZONAL LUMEN SUMMARY

ZONE	LUMENS	%LUMINAIRE
0-30	1354	53.7
0-40	2203	87.3
0-60	2515	99.7
0-90	2522	100.0
90-180	0	0.0
0-180	2522	100.0

LUMINANCE DATA IN CANDELA/SQ. METER

Angle in Vertical	Average
45°	16173
55°	645
65°	365
75°	238
85°	0

Test No. 16.02699

Tested at 25°C Ambient in accordance to IESNA LM-79-2008

COEFFICIENTS OF UTILIZATION Zonal Cavity Method

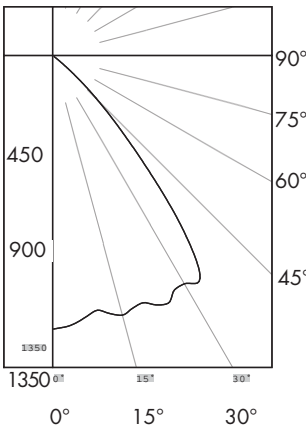
Room Cavity Ratio	% Effective Ceiling Cavity Reflectance																
	80%		70%		50%		30%		10%								
	70	50	30	10	70	50	30	10	50	30	10	50	30	10			
20% Effective Floor Cavity Reflectance																	
% Wall Reflectance																	
1	113	110	107	105	110	108	105	103	104	102	100	100	98	97	96	95	94
2	107	101	97	93	104	100	95	92	96	93	90	93	90	88	90	88	86
3	100	93	88	83	98	92	87	83	89	85	81	87	83	80	84	81	79
4	94	86	80	75	93	85	79	75	83	78	74	81	76	73	79	75	72
5	89	79	73	68	87	78	72	68	77	71	67	75	70	67	73	69	66
6	83	74	67	62	82	73	66	62	71	66	61	70	65	61	68	64	61
7	79	68	61	57	77	67	61	57	66	60	56	65	60	56	64	59	56
8	74	63	57	52	73	63	56	52	62	56	52	60	55	51	59	55	51
9	70	59	52	48	69	58	52	48	57	52	48	56	51	47	56	51	47
10	66	55	48	44	65	55	48	44	54	48	44	53	48	44	52	47	44

LCC8LEDs24L35K8WFL45 BL

Test No. 16.02699

LCC8LEDs18L35K8WFL45 BL

LED Light Engine: 3500K, 80+ CRI
System Wattage: 22.1W
Fixture Delivered Lumens: 1973
Fixture Efficacy: 89.3
Spacing Criteria: 1.2



CANDELA DISTRIBUTION

DEG	CANDELA
0	1263
5	1239
15	1241
25	1262
35	1158
45	309
55	8
65	3
75	1
85	0
90	0

ZONAL LUMEN SUMMARY

ZONE	LUMENS	%LUMINAIRE
0-30	1035	52.5
0-40	1702	86.3
0-60	1968	99.7
0-90	1973	100.0
90-180	0	0.0
0-180	1973	100.0

LUMINANCE DATA IN CANDELA/SQ. METER

Angle in Vertical	Average
45°	13470
55°	430
65°	219
75°	119
85°	0

Test No. 16.03176

Tested at 25°C Ambient in accordance to IESNA LM-79-2008

COEFFICIENTS OF UTILIZATION Zonal Cavity Method

Room Cavity Ratio	% Effective Ceiling Cavity Reflectance																
	80%		70%		50%		30%		10%								
	70	50	30	10	70	50	30	10	50	30	10	50	30	10			
20% Effective Floor Cavity Reflectance																	
% Wall Reflectance																	
1	113	110	107	105	110	108	105	103	104	102	100	100	98	97	96	95	94
2	107	101	97	93	104	99	95	92	96	93	90	93	90	88	90	88	86
3	100	93	88	83	98	92	87	82	89	85	81	87	83	80	84	81	79
4	94	86	80	75	92	85	79	74	82	77	74	80	76	73	78	75	72
5	89	79	73	68	87	78	72	68	76	71	67	75	70	66	73	69	66
6	83	73	67	62	82	72	66	61	71	65	61	69	64	61	68	64	60
7	78	68	61	56	77	67	61	56	66	60	56	65	59	56	63	59	55
8	74	63	56	52	72	62	56	52	61	55	51	60	55	51	59	54	51
9	69	59	52	47	68	58	52	47	57	51	47	56	51	47	55	50	47
10	66	55	48	44	64	54	48	44	53	48	44	52	47	43	52	47	43

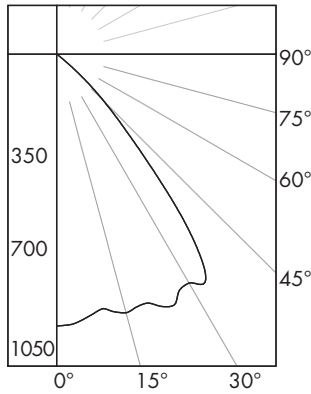
LCC8LEDs18L35K8WFL45 BL

Test No. 16.03176

LCC8LED

8" LED CYLINDER
120 - 277V, 0-10V DIMMING
1000-2400 LUMENS

LCC8LED514L35K8WFL45 BL
LED Light Engine: 3500K, 80+ CRI
System Wattage: 17.8W
Fixture Delivered Lumens: 1547
Fixture Efficacy: 86.9
Spacing Criteria: 1.2



CANDELA DISTRIBUTION

DEG	CANDELA
0	976
5	962
15	961
25	995
35	914
45	245
55	6
65	2
75	1
85	0
90	0

Test No. 16.03175
Tested at 25°C Ambient in accordance to IESNA LM-79-2008

ZONAL LUMEN SUMMARY

ZONE	LUMENS	%LUMINAIRE
0-30	809	52.3
0-40	1333	86.2
0-60	1544	99.8
0-90	1547	100.0
90-180	0	0.0
0-180	1547	100.0

LUMINANCE DATA IN CANDELA/SQ. METER

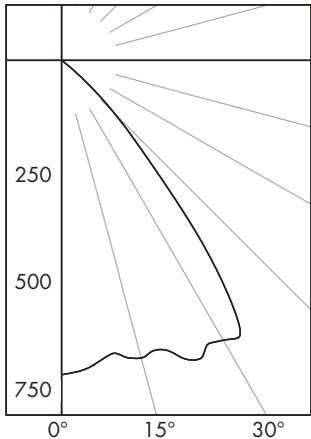
Angle in Vertical	Average
45°	10680
55°	322
65°	146
75°	119
85°	0

COEFFICIENTS OF UTILIZATION Zonal Cavity Method

Room Cavity Ratio	% Effective Ceiling Cavity Reflectance					20% Effective Floor Cavity Reflectance					% Wall Reflectance														
	80%					70%					50%					30%					10%				
	70	50	30	10	70	50	30	10	50	30	10	50	30	10	50	30	10	50	30	10					
1	113	110	107	105	110	108	105	103	104	102	100	100	98	97	96	95	94								
2	107	101	97	93	104	99	95	92	96	93	90	93	90	88	90	88	86								
3	100	93	88	83	98	92	87	82	89	85	81	87	83	80	84	81	79								
4	94	86	80	75	92	85	79	74	82	77	74	80	76	73	78	75	72								
5	89	79	73	68	87	78	72	67	76	71	67	75	70	66	73	69	66								
6	83	73	66	62	82	72	66	61	71	65	61	69	64	61	68	64	60								
7	78	68	61	56	77	67	61	56	66	60	56	64	59	55	63	59	55								
8	74	63	56	52	72	62	56	51	61	55	51	60	55	51	59	54	51								
9	69	59	52	47	68	58	52	47	57	51	47	56	51	47	55	50	47								
10	66	55	48	44	64	54	48	44	53	47	43	52	47	43	52	47	43								

LCC8LED514L35K8WFL45 BL Test No. 16.03175

LCC8LED510L35K8WFL45 BL
LED Light Engine: 3500K, 80+ CRI
System Wattage: 13.4W
Fixture Delivered Lumens: 1126
Fixture Efficacy: 84.0
Spacing Criteria: 1.2



CANDELA DISTRIBUTION

DEG	CANDELA
0	709
5	696
15	695
25	742
35	669
45	166
55	4
65	2
75	1
85	0
90	0

Test No. 16.03174
Tested at 25°C Ambient in accordance to IESNA LM-79-2008

ZONAL LUMEN SUMMARY

ZONE	LUMENS	%LUMINAIRE
0-30	597	53.0
0-40	982	87.2
0-60	1124	99.8
0-90	1126	100.0
90-180	0	0.0
0-180	1126	100.0

LUMINANCE DATA IN CANDELA/SQ. METER

Angle in Vertical	Average
45°	7236
55°	215
65°	146
75°	119
85°	0

COEFFICIENTS OF UTILIZATION Zonal Cavity Method

Room Cavity Ratio	% Effective Ceiling Cavity Reflectance					20% Effective Floor Cavity Reflectance					% Wall Reflectance														
	80%					70%					50%					30%					10%				
	70	50	30	10	70	50	30	10	50	30	10	50	30	10	50	30	10	50	30	10					
1	113	110	107	105	110	108	105	103	104	102	100	100	98	97	96	95	94								
2	107	101	97	93	104	99	95	92	96	93	90	93	90	88	90	88	86								
3	100	93	88	83	98	92	87	83	89	85	81	87	83	80	84	81	79								
4	94	86	80	75	92	85	79	75	82	77	74	80	76	73	79	75	72								
5	89	79	73	68	87	78	72	67	76	71	67	75	70	66	73	69	66								
6	83	73	66	62	82	72	66	61	71	65	61	70	65	61	68	64	60								
7	78	68	61	57	77	67	61	56	66	60	56	65	60	56	63	59	55								
8	74	63	56	52	72	62	56	51	61	55	51	60	55	51	59	54	51								
9	70	59	52	48	68	58	52	48	57	51	47	56	51	47	55	51	47								
10	66	55	48	44	65	54	48	44	53	48	44	53	47	44	52	47	43								

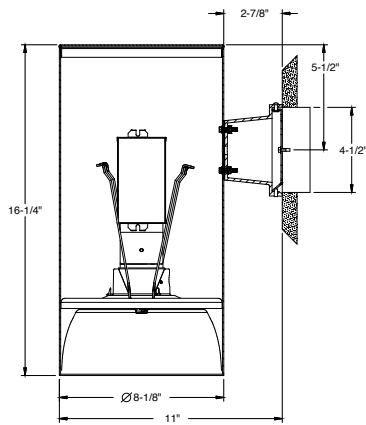
LCC8LED510L35K8WFL45 BL Test No. 16.03174

LCC8LED

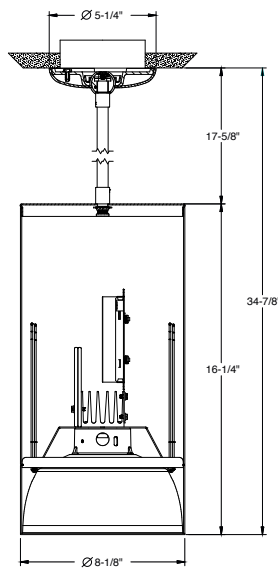
8" LED CYLINDER
 120 - 277V, 0-10V DIMMING
 1000-2400 LUMENS

DIMMING COMPATIBILITY

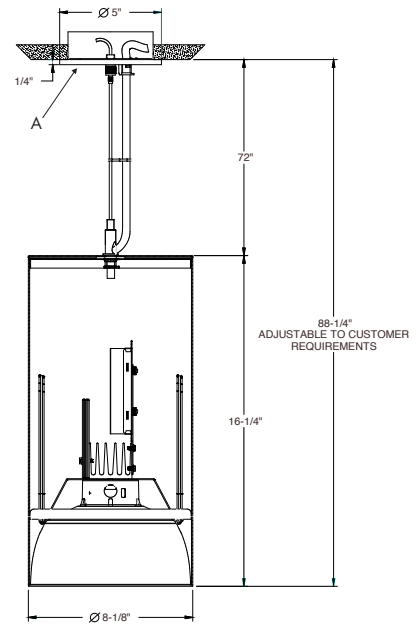
For more details and recommended dimmer list, see Dimming Compatibility Information on currentlighting.com/prescolite.



WALL MOUNT



PENDANT MOUNT



CORD/CABLE MOUNT

Note A: The canopy will be painted zet on brush aluminum. All others will match cylinder color.