



4" Square Horizontal Compact Fluorescent Downlight

LF4SQCFH 132EB

One 26W, 32W or 42W Triple Tube

4-pin Lamp

120V- 277V

APPLICATIONS:

The LF4SQCFH triple tube series offers a horizontally lamped compact fluorescent open downlight fixture. The multi-watt, multi-volt ballast provides the ability to change wattages by simply changing the lamp. This luminaire is ideal for a wide variety of medium to high ceiling applications including commercial, retail, hospitality, and design-build.

HOUSING:

One-piece 22-gauge galvanized steel platform. Prewired J-box with snap-on cover for easy access. Vented at lamp tip and socket for maximum light output. Same housing accommodates downlight, wall wash downlight, and lensed downlight reflectors.

REFLECTOR:

Lower reflector made from Alanod Miro 4. Upper reflector painted white.

BALLAST:

One (1) compact fluorescent Class 'P' electronic multi-volt (120V through 277V) HPF ballast suitable for operating all 26W, 32W, and 42W triple tube lamps. All ballast options are equipped with EOL protection. Accessible from below ceiling. Contact technical support for 347V.

SOCKET:

One (1) injection molded socket suitable for 26W, 32W and 42W triple tube lamps (vented).

LAMP:

Use one (1) 26W (GX24q-3 base), 32W (GX24q-3 base), or 42W (GX24q-4 base) 4-pin triple tube compact fluorescent lamp. Lamp furnished by others or as option below. Use only GE or OSRAM Sylvania lamps.

INSTALLATION:

Universal adjustable mounting brackets accept 1/2" EMT conduit or 1 1/2" or 3/4" lathing channel (by others) or Prescolite 24" bar hangers (B24 or B6). Light commercial bar hangers included.

CERTIFICATIONS:

CSA certified to US and Canadian safety standards. Suitable for wet locations when used with lens option. EM is damp locations CSA US only. Approved for through wiring. Non-IC rated.

LAMP INCLUDED OPTION:

Specify lamp type T (Triple 4-pin) and temperature as shown below.

DATE: _____ TYPE: _____

FIRM NAME: _____

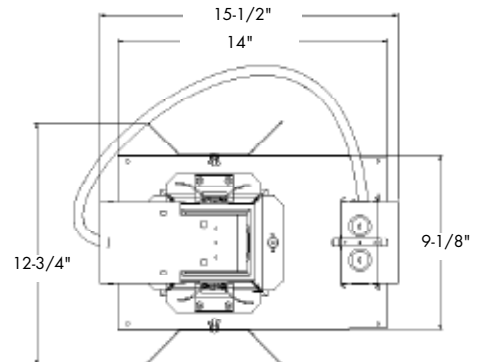
PROJECT: _____



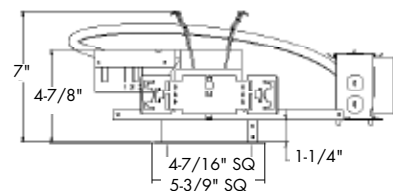
Ceiling Cutout: 5-1/4" x 5-1/4"
Maximum Ceiling Thickness: 1-1/4"

For conversion to millimeters, multiply inches by 25.4

Not to Scale



See back page for WW line art.



Order housing, reflector and accessories separately.

CATALOG NUMBER:

EXAMPLE: LF4SQCFH132EB - 4SQCFH1 - LP32T30K

HOUSING	VOLTAGE	HOUSING OPTIONS	REFLECTOR	REFLECTOR COLOR	REFLECTOR OPTIONS	ACCESSORIES
<input type="checkbox"/> LF4SQCFH132EB 4" 26, 32, 42W triple tube, electronic ballast	<input type="checkbox"/> Blank 120V-277V <input type="checkbox"/> CDN Canadian Electrical code compliant ballast disconnect <input type="checkbox"/> CDN 347V³ Canadian Electrical code compliant ballast disconnect	<input type="checkbox"/> DM Electronic Analog Dimming Ballast to 3%, 4-wire, 0-10V (120V-277V) <input type="checkbox"/> MW26 Max Wattage label, 26W <input type="checkbox"/> MW32 Max Wattage label, 32W <input type="checkbox"/> SYL² Osram Sylvania Ballast (available only for standard EB option) <input type="checkbox"/> ECDM⁴ Lutron EcoSystem or 3-wire line voltage dimming ballast (120V-277V). Dims to 5%. <input type="checkbox"/> 2DM⁵ Lutron Tu-Wire® Dimming Ballast to 5%, 2-wire line voltage (120V only) <input type="checkbox"/> 7DM Advance Mark 7™ Dimming Ballast to 5%, 4-wire, 0-10V, analog (120V thru 277V)(specify wattage) <input type="checkbox"/> XDM Advance Mark 10™ Dimming Ballast to 5%, 2-wire line voltage (specify supply voltage/wattage) <input type="checkbox"/> HDM⁵ Lutron Hi-Lume® Dimming Ballast to 1%, 3-wire line voltage (specify voltage) <input type="checkbox"/> SMT Philips Advance SmartMate® ballast <input type="checkbox"/> WW⁷ Wall Wash <input type="checkbox"/> FSDFA Fuse kit installed at factory <input type="checkbox"/> RIF1¹ Radio interference filter (single circuit) <input type="checkbox"/> EMR¹ Emergency battery pack with remote test switch and indicator light	<input type="checkbox"/> 4SQCFH1 4" Alzak Semi-Diffuse	<input type="checkbox"/> BLANK Clear Alzak <input type="checkbox"/> CG Champagne Gold Alzak <input type="checkbox"/> BL⁸ Black Alzak <input type="checkbox"/> PW Pewter Alzak <input type="checkbox"/> WE Wheat Alzak <input type="checkbox"/> LW Light Wheat Alzak <input type="checkbox"/> WH White Paint	<input type="checkbox"/> PL^{5,10} Regressed Prismatic <input type="checkbox"/> DL^{5,10} Regressed Diffuse <input type="checkbox"/> CL^{5,10} Regressed Clear <input type="checkbox"/> WT White flange (Alzak only) <input type="checkbox"/> WW^{5,6,7,10} Wall Wash	<input type="checkbox"/> B24 Set of (2) 24" bar hangers for T-bar ceilings <input type="checkbox"/> B6 Set of (2) bar hangers for ceiling joists up to 24" centers <input type="checkbox"/> FSDFI Fuse kit for field installation
						LAMP ACCESSORIES
						<input type="checkbox"/> LP⁹ -wattage=26, 32, 42 -type= T (Triple 4-pin) -temp= 27K, 30K, 35K, 41K (Kelvin) *Example: LP32T30K

¹RIF1 and EMR options not offered in combination

²Available for Osram Sylvania Quick 60+® Limited Warranty when used with Osram lamp(s). See www.prescolite.com for details.

³Dimming option not available for 347V

⁴For 42W specify LF6CFH142EBECDM

⁵Not available for 42W

⁶Comes standard with Diffuse Lens

⁷Wall wash must be selected on both the housing and the trim

⁸For lower reflector only

⁹Sylvania or GE triple tube lamp only

¹⁰Not available for 32W

PHOTOMETRIC DATA

LiteFrame® - 4" Square Horizontal Triple Tube Downlight - LF45QCFH132 Series

BALLAST DATA

	26W Triple			32W Triple			42W Triple		
	120V	277V	347V	120V	277V	347V	120V	277V	347V
Total System Watts	29	29	31	36	36	36	46	46	50
Input Current (Amps)	0.24	0.11	0.09	0.31	0.13	0.11	0.38	0.17	0.15
Input Frequency in Hz	50/60	50/60	50/60	50/60	50/60	50/60	50/60	50/60	50/60
Power Factor	<.98	<.98	<.95	<.98	<.98	<.95	<.98	<.98	<.95
Ballast Factor	<1.1	<1.1	<1.02	<.98	<.98	<.98	<.98	<.98	<1.0
Total Harmonic Distortion	<10%	<10%	<10%	<10%	<10%	<10%	<10%	<10%	<10%

LAMP DATA

Rated Watts	26W Triple	32W Triple	42W Triple
Rated Lumens	1710	2400	3200
Efficacy (LPW)	66	75	76
Rated Life	12,000	12,000	12,000
CRI	82	82	82
Min. Starting Temp.	32°F	32°F	32°F

LF45QCFH132EB 45QCFH1

Lamp: 1-CF32DT/E/IN-SYLVANIA

Spacing Criteria: 0°: 1.0

90°: 1.1

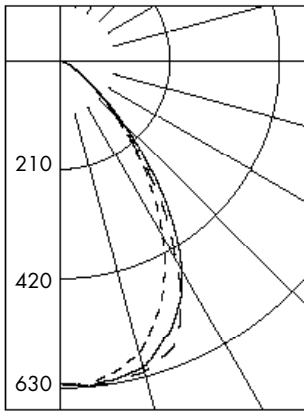
Efficiency: 36.0%

ZONAL LUMEN SUMMARY

ZONE	LUMENS	%LUMINAIRE
0-30	468	54.2
0-40	683	79.1
0-60	850	98.4
0-90	864	100.0
90-180	0	0.0
0-180	864	100.0

LUMINANCE DATA IN CANDELA/ SQ. METER

Angle in Vertical	Average - 0°	Average - 45°	Average - 90°
45°	19584	22460	20406
55°	6922	7766	7935
65°	1604	2062	1375
75°	748	1122	748
85°	2222	1111	1111



CANDELA DISTRIBUTION

DEG	0°	45°	90°
0	623	623	623
5	626	629	631
15	584	611	620
25	469	530	544
35	306	370	340
45	143	164	149
55	41	46	47
65	7	9	6
75	2	3	2
85	2	1	1
90	0	0	0

COEFFICIENTS OF UTILIZATION Zonal Cavity Method

Room Cavity Ratio	% Effective Ceiling Cavity Reflectance																			
	80%				70%				50%				30%				10%			
	20% Effective Floor Cavity Reflectance																			
	% Wall Reflectance																			
	70	50	30	10	70	50	30	10	50	30	10	50	30	10	50	30	10			
1	41	39	38	37	40	39	38	37	37	36	36	36	35	35	35	34	34			
2	38	36	34	33	37	36	34	33	34	33	32	33	32	31	32	31	31			
3	36	33	31	29	35	33	31	29	32	30	29	31	29	28	30	29	28			
4	34	31	28	26	33	30	28	26	29	27	26	29	27	26	28	26	25			
5	32	28	26	24	31	28	26	24	27	25	24	26	25	23	26	24	23			
6	30	26	24	22	29	26	23	22	25	23	22	25	23	21	24	23	21			
7	28	24	22	20	27	24	22	20	23	21	20	23	21	20	23	21	20			
8	26	22	20	18	26	22	20	18	22	20	18	21	20	18	21	19	18			
9	25	21	19	17	24	21	18	17	20	18	17	20	18	17	20	18	17			
10	24	20	17	16	23	19	17	16	19	17	16	19	17	16	19	17	15			

LF45QCFH132EB 45QCFH1

Test No. 4738

NOTES

Refer to www.prescolite.com for additional photometric tests (IES Files).

Note: Use of horizontally-lamped open downlights with amalgam-based CFL lamps in air-handling plenums is not recommended because cool air flow over the lamps will result in reduced light output. Prescolite recommends vertical lamp downlights or use of the regressed lensed trim option for horizontal downlights in these applications to reduce this effect. Refer to Prescolite White Paper WP0003 at www.prescolite.com for more information.



Web: www.prescolite.com • Tech Support: (888) 777-4832

701 Millenium Blvd., Greenville, SC 29607 U.S.A. • Phone (864) 678-1000

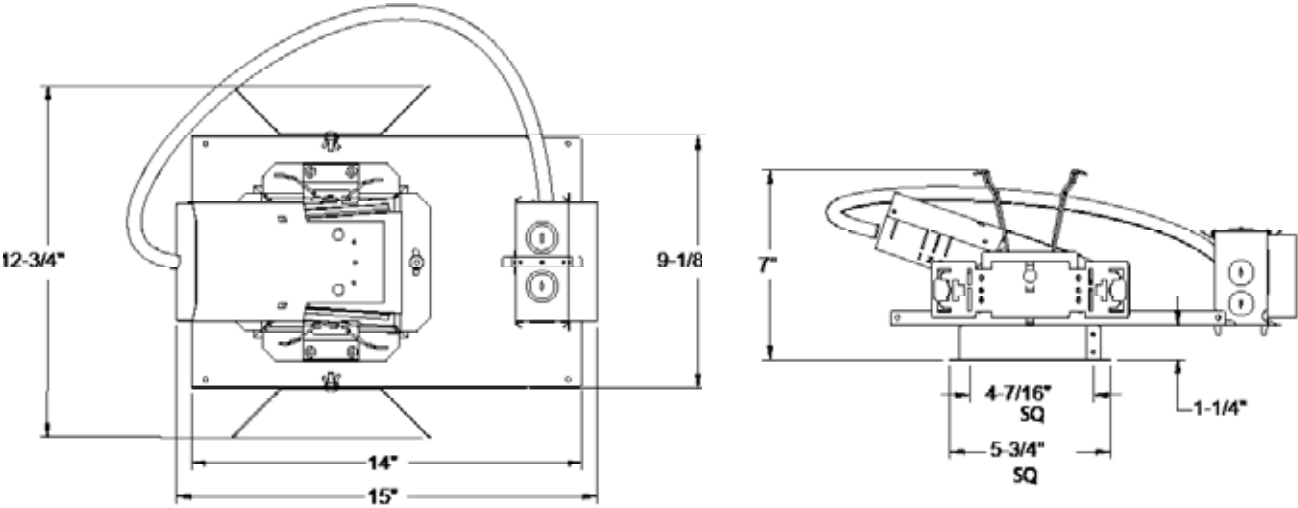
Copyright ©2015 Prescolite, Inc., a division of Hubbell Lighting, Inc. All Rights Reserved

Specifications subject to change without notice. • Printed in U.S.A. • LFR-CFL027 • 8/3/15



HUBBELL
Lighting, Inc.

PHOTOMETRIC DATA



Web: www.prescolite.com • Tech Support: (888) 777-4832
701 Millenium Blvd., Greenville, SC 29607 U.S.A. • Phone (864) 678-1000
Copyright ©2015 Prescolite, Inc., a division of Hubbell Lighting, Inc. All Rights Reserved
Specifications subject to change without notice. • Printed in U.S.A. • LFR-CFL-027 • 8/3/15

