



PROJECT INFORMATION

Project Name _____

Type _____

Catalog No. _____

Date _____

FEATURES

- Full distribution LED troffer
- Direct replacement of fluorescent 1x4
- Wet location option available
- Long-life, 60,000 hour LEDs at L80 reduce life cycle maintenance costs
- Four LED color choices and 80 CRI
- Many shielding choices
- Two door frame choices
- Metal to metal light leak protection on all four sides of shielding frame
- Fixed output, step dimming (high/low/off), 0-10V dimming, 0-10V dimming-dim to dark drivers available
- Hinged optical system allows easy access to LED modules and electrical from below the ceiling
- UL Sanitation certified per NSF standards
- All models standard with IC rating
- DLC® (DesignLights Consortium) Qualified, with some Premium Qualified configurations
- see www.designlights.org
- Five year warranty



LJT14

CONSTRUCTION

Luminaire housing and end caps are die-formed code-gauge cold-rolled steel. Optical system hinges from either side for easy access to LED module and electrical components.

FINISH

All metal parts processed with a multi-stage phosphate bonding treatment and finished with a high reflectance baked white enamel.

SHIELDING

Lens is high transmission pattern #12 acrylic (A12) for light diffusion without compromise to light output. Other shielding may be specified. If desired shielding media is not shown in ordering guide, contact your local representative.

INSTALLATION

An access plate is furnished with each recessed fixture for fast wiring connections without the necessity to open the fixture or wireway.

CEILING COMPATIBILITY

Designed for recessed installation in standard inverted tee grid ceilings (G). Four integral T-bar clips standard. Also available for recessed installation in hard ceilings (G with FK accessory), surface mount at ceiling plane (SM), or cable mount suspension below ceiling plane (CM). For compatibility with specific ceilings contact your representative.

CERTIFICATION

All luminaires are built to UL 1598 and 2108 standards, and bear appropriate CSA labels. UL Sanitation Certified per NSF Standards. Damp location label standard, wet location labeling is optional. CSA certified to UL 924 standards with battery pack or DTS (Dimming Bypass Module) options. Adheres to LM79, LM80 and TM21 industry standards. IC rating is standard on all models. DLC® (DesignLights Consortium) Qualified, with some Premium Qualified configurations. Please refer to the DLC website for specific product qualifications at www.designlights.org. The DTS, Dimming Bypass Module, is for emergency circuit control loads including sensors and wireless systems CSA certified to UL 924. See page 6 for wiring diagram.

WARRANTY

Five year warranty. (Terms and Conditions Apply)

ORDERING INFORMATION

EXAMPLE LJT14-35MLG-FSA12-EU

YOUR ORDER **LJT14 - - -**

LJT		14							
MODEL	SIZE	COLOR TEMP		LUMEN OUTPUT		CEILING TYPE		DOOR	
LJT LED Lensed Troffer	14 1' x 4'	30	3000K	XW	Extra Low Watt	G	Grid ¹	FS	White Flush Steel
		35	3500K	VW	Very Low Watt	SM	Surface Mount	FA	White Flush Aluminum
		40	4000K	MW	Medium Low Watt	CM	Cable Mount ²		
		50	5000K	LW	Low Watt				
				ML	Medium Lumen				
				HL	High Lumen				
				VL	Very High Lumen				

See Product Availability Table Below

SHIELDING		DRIVER		VOLTAGE		OPTIONS	
A12	Pattern 12 Acrylic Lens	E	Fixed Output	U	120V-277V	ELL14	Emergency Battery Pack Installed, 1400 Lumens ^{4,5,6}
A12125	Pattern 12 Acrylic Lens, 0.125" Nominal	ED	0-10V Dimming	347	347V	C388	3-Wire Flex
A12F	Pattern 12 Frosted Acrylic Lens	ED1	0-10V 1% Dimming			C488	4-Wire Flex
A12125F	Pattern 12 Frosted Acrylic Lens, 0.125" Nominal	EDD	0-10V Dimming, Dim to Dark			C588	5-Wire Flex
A19	Pattern 19 Acrylic Lens, 0.156" Nominal	ESD	Step Dimming ^{3,4}			GLR	Fast Blow Fuse
A19F	Pattern 19 Frosted Acrylic Lens 0.156"	LUTH	Hi-lume 1% EcoSystem LED driver with Soft-on, Fade-to-Black dimming technology ^{2,4}			GTD	Generator Transfer Device ⁷
ACCESSORIES (ORDER SEPARATELY)							
FK14	1' x 4' Single Flange Kit					DTS	Dimming Bypass Module ⁸
CM48Y1SC3F-KIT	48" Cable Mount Kit for 1' wide Cable Mount Fixtures, 3-Wire					G1	Single Gasketing (Door to Housing)
						G2	Double Gasketing (G1 and Lens to Door)
						G3	Triple Gasketing (G2 and Housing to Ceiling)
						WL	Wet Location (Select G2 or G3 Gasketing) ⁹
						EOR	End of Row (SM and CM only. Provides end wiring access for continuous row mounting.)
						INT	Intermediate (SM and CM only. Provides ends with wiring access for continuous row mounting.)
						CP	Chicago Plenum

¹ For hard ceilings use flange kit accessory
² Order hanger accessories separately
³ Not available in all lumen packages, see driver table below
⁴ Not available with 347V
⁵ For compatibility with Dual-Lite LiteGear® inverters in lieu of installed battery pack, contact your representative
⁶ Not available with surface or cable mount
⁷ GTD available for E (fixed output) driver option only
⁸ For emergency circuit control loads including sensors and wireless systems CSA certified to UL 924. Only available with 0-10V drivers. Universal voltage only. See page 6 for wiring diagram
⁹ FA door and Grid Ceiling only

Damp label—standard
 IC rating—standard

	XW	VW	MW	LW	ML	HL	VL
E	X	X	X	X	X	X	X
ED	X	X	X	X	X	X	X
ED1	X	X	X	X	X	X	X
EDD	X	X	X	X	X	X	X
ESD			X	X	X	X	X
LUTH	X	X	X	X	X	X	X

Product Availability			
Lumen Package	Lumens	Input Watts	LPW
LJT14-50XWG-FSA12-EU	2568	20	127
LJT14-40XWG-FSA12-EU	2358	20	116
LJT14-35XWG-FSA12-EU	2322	20	114
LJT14-30XWG-FSA12-EU	2255	20	111
LJT14-50VWG-FSA12-EU	3232	27	121
LJT14-40VWG-FSA12-EU	2968	27	111
LJT14-35VWG-FSA12-EU	2923	27	109
LJT14-30VWG-FSA12-EU	2838	27	106
LJT14-50MWG-FSA12-EU	3794	31	124
LJT14-40MWG-FSA12-EU	3484	31	114
LJT14-35MWG-FSA12-EU	3430	31	112
LJT14-30MWG-FSA12-EU	3331	31	109
LJT14-50LWG-FSA12-EU	4164	34	122
LJT14-40LWG-FSA12-EU	3824	34	112
LJT14-35LWG-FSA12-EU	3766	34	110
LJT14-30LWG-FSA12-EU	3656	34	107
LJT14-50MLG-FSA12-EU	4598	38	120
LJT14-40MLG-FSA12-EU	4222	38	111
LJT14-35MLG-FSA12-EU	4158	38	109
LJT14-30MLG-FSA12-EU	4037	38	106
LJT14-50HLG-FSA12-EU	5264	45	117
LJT14-40HLG-FSA12-EU	4834	45	107
LJT14-35HLG-FSA12-EU	4761	45	106
LJT14-30HLG-FSA12-EU	4622	45	102
LJT14-50VLG-FSA12-EU	7179	59	122
LJT14-40VLG-FSA12-EU	6593	59	112
LJT14-35VLG-FSA12-EU	6492	59	110
LJT14-30VLG-FSA12-EU	6303	59	107

PHOTOMETRIC DATA

Test 16360 Test Date 07/08/2016

LUMINAIRE DATA

Luminaire	LJT14-40LWG-FSA12-EU LJT LED, Lensed Troffer 1' X 4' LED with A12 pattern acrylic prisms lens
Ballast	XI040C110V054BST1
Ballast Factor	1.00
Lamp	LED
Fixture Lumens	3824
Watts	34.20
Mounting	Recessed
Shielding Angle	0° = 90 90° = 90
Spacing Criterion	0° = 1.18 90° = 1.11
Luminous Opening in feet	Length: 3.92 Width: 0.83 Height: 0.00

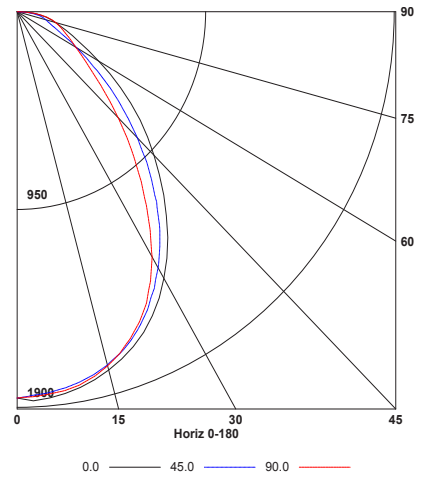
ENERGY DATA

Total Luminaire Efficiency	100.0%
Total Lumens per Watt	112
ANSI/IESNA RP-1-2004 Compliance	NONCOMPLIANT
Comparative Yearly Lighting Energy Cost per 1000 Lumens	\$2.14 based on 3000 hrs. and \$0.08 per KWH

ZONAL LUMEN SUMMARY

Zone	Lumens	%Lamp	%Fixt.
0-30	1393	36.4	36.4
0-40	2165	56.6	56.6
0-60	3282	85.8	85.8
0-90	3824	100.0	100.0
0-180	3824	100.0	100.0

INDOOR CANDELA PLOT



Test 16363 Test Date 07/08/2016

LUMINAIRE DATA

Luminaire	LJT14-40MLG-FSA12-EU LJT LED, Lensed Troffer 1' X 4' LED with A12 pattern acrylic prisms lens
Ballast	XI054C150V054BST1
Ballast Factor	1.00
Lamp	LED
Fixture Lumens	4223
Watts	38.20
Mounting	Recessed
Shielding Angle	0° = 90 90° = 90
Spacing Criterion	0° = 1.19 90° = 1.11
Luminous Opening in feet	Length: 3.92 Width: 0.83 Height: 0.00

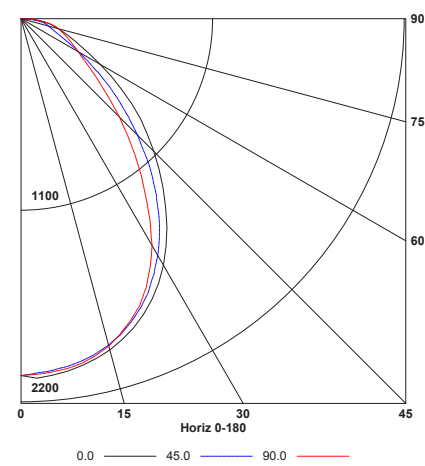
ENERGY DATA

Total Luminaire Efficiency	100.0%
Total Lumens per Watt	111
ANSI/IESNA RP-1-2004 Compliance	Noncompliant
Comparative Yearly Lighting Energy Cost per 1000 Lumens	\$2.16 based on 3000 hrs. and \$0.08 per KWH

ZONAL LUMEN SUMMARY

Zone	Lumens	%Lamp	%Fixt.
0-30	1538	36.4	36.4
0-40	2389	56.6	56.6
0-60	3623	85.8	85.8
0-90	4223	100.0	100.0
0-180	4223	100.0	100.0

INDOOR CANDELA PLOT



Test 16366 Test Date 06/23/2016

LUMINAIRE DATA

Luminaire	LJT14-40HLG-FSA12-EU LJT LED, Lensed Troffer 1' X 4' LED with A12 pattern acrylic prisms lens
Ballast	XI054C150V054BST1
Ballast Factor	1.00
Lamp	LED
Fixture Lumens	4834
Watts	45.10
Mounting	Recessed
Shielding Angle	0° = 90 90° = 90
Spacing Criterion	0° = 1.19 90° = 1.10
Luminous Opening in feet	Length: 4.00 Width: 0.83 Height: 0.00

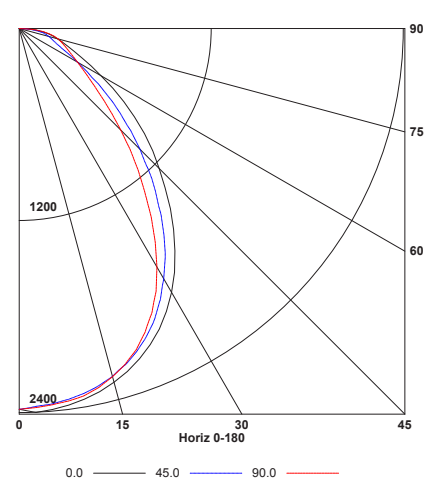
ENERGY DATA

Total Luminaire Efficiency	100.0%
Total Lumens per Watt	107
ANSI/IESNA RP-1-2004 Compliance	Noncompliant
Comparative Yearly Lighting Energy Cost per 1000 Lumens	\$2. based on 3000 hrs. and \$0.08 per KWH

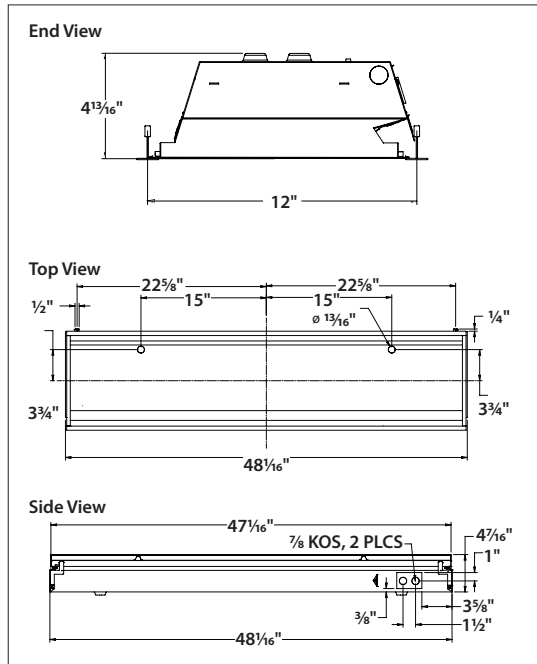
ZONAL LUMEN SUMMARY

Zone	Lumens	%Lamp	%Fixt.
0-30	1784	36.9	36.9
0-40	2764	57.2	57.2
0-60	4159	86.0	86.0
0-90	4834	100.0	100.0
0-180	4834	100.0	100.0

INDOOR CANDELA PLOT



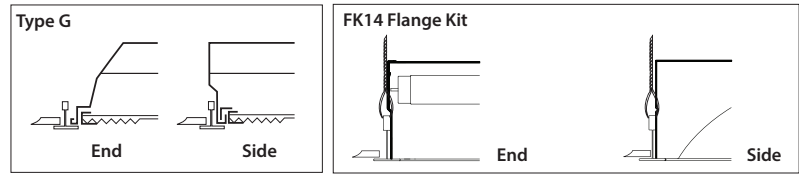
DIMENSIONAL DATA



A: 7/8" Diameter knockout
 K: 2" x 3" through hole for access plate.

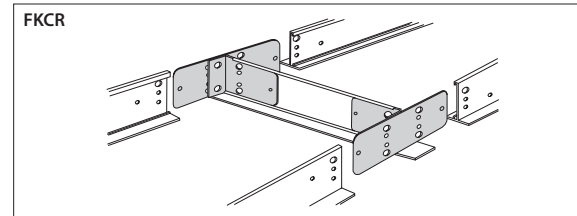
NOTE: All dimensions are in inches; dimensions and specifications are subject to change without notice. Please consult factory or check sample for verification.

CEILING COMPATIBILITY



For lay-in installation in exposed grid ceilings. Maximum tee widths of 1" and maximum tee heights of 2" allowed.

For hard ceiling applications, order FK14 flange kit. Flange kit wires directly into concealed ceiling opening for a clean, finished appearance.

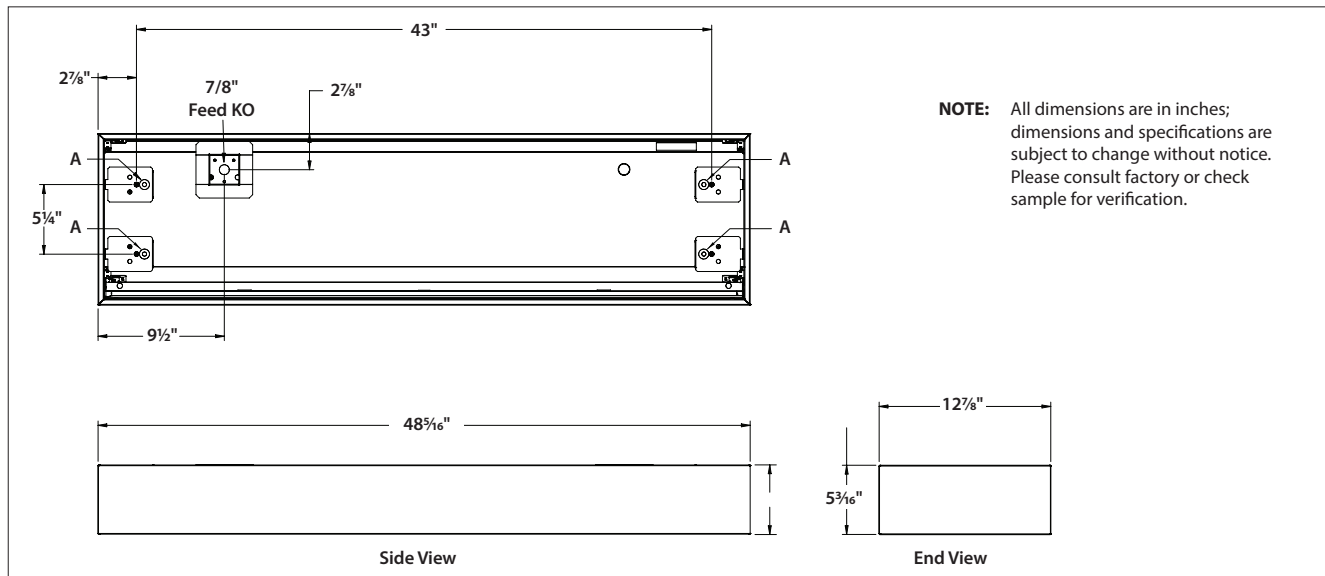


For flanged fixtures in row configurations, the FKCR adapter bracket kit is required in addition to the FK14 kit. Order one less FKCR than the total number of fixtures in row. (Example: Row of two, order (2) FK14 & (1) FKCR)

Row cut out dimensions using FK14s & FKCR adapters:
 Width 12 3/8", Length [48" x (# in row)] + 3/8". Example: (48" x 2) + 3/8" = 96 3/8"

Flange kit rough in dimensions for single unit only: 12 3/8" x 48 3/8"

DIMENSIONAL DATA - SURFACE MOUNT (SM) AND CABLE MOUNT (CM)



NOTE: All dimensions are in inches; dimensions and specifications are subject to change without notice. Please consult factory or check sample for verification.

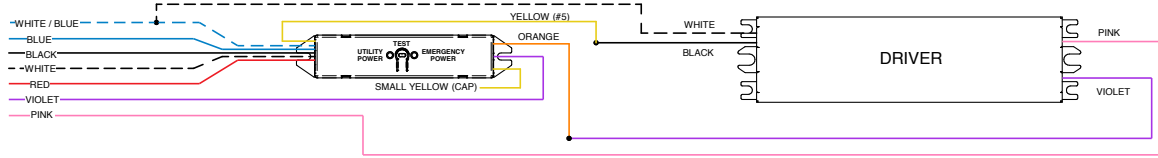
SURFACE MOUNT

Order SM ceiling type. Mounting collar required for surface mounting. (4) Mounting knock-outs, 1/4" to 1/2" provided as shown, marked "A".

CABLE MOUNT

Order CM ceiling type. Access plate supplied for cable mounting or suspension. Use CM48Y1 C3F-KIT 48" cable mount kit. Includes 3 wire feed cord. For other wiring needs, contact your representative. Mounting knock-outs, 1/4" to 1/2", provided as shown, marked "A".

DTS WIRING DIAGRAM (0-10V DIMMING DRIVER SHOWN)



WHITE/BLUE	Emergency Neutral
BLUE	Emergency Line
BLACK	Utility Line (Unswitched Hot)
WHITE	Utility Neutral
RED	Switched Hot
VIOLET	Dimming
PINK	Dimming