



**PROJECT INFORMATION**

Project Name \_\_\_\_\_

Type \_\_\_\_\_

Catalog No. \_\_\_\_\_

Date \_\_\_\_\_

**FEATURES**

- Full distribution LED troffer
- Direct replacement for fluorescent 2x2
- Wet location option available
- Long-life, 60,000 hour LEDs at L80 reduce life cycle maintenance costs
- Four LED color choices and 80 CRI
- Many shielding choices
- Two door frame choices
- Metal to metal light leak protection on all four sides of shielding frame
- Fixed output, step dimming (high/low/off), 0-10V dimming, 0-10V dimming-dim to dark drivers available
- Hinged optical system allows easy access to LED modules and electrical from below the ceiling
- UL Sanitation certified per NSF standards
- All models standard with IC rating
- DLC® (DesignLights Consortium) Qualified, with some Premium Qualified configurations - see [www.designlights.org](http://www.designlights.org)
- Five year warranty



**LJT22**

**CONSTRUCTION**

Luminaire housing, end caps, and reflectors are die-formed code-gauge cold-rolled steel. Optical system hinges from either side for easy access to LED module and electrical components. Mechanical light trap prevents light leaks.

**FINISH**

All metal parts processed with a multi-stage phosphate bonding treatment and finished with a high reflectance baked white enamel.

**SHIELDING**

Lens is high transmission pattern #12 acrylic (A12) for light diffusion without compromise to light output. Other shielding may be specified. If desired shielding media is not shown in ordering guide, contact your local representative.

**INSTALLATION**

An access plate is furnished with each recessed fixture for fast wiring connections without the necessity to open the fixture or wireway.

**CEILING COMPATIBILITY**

Designed for recessed installation in standard inverted tee grid ceilings (G), recessed installation in hard ceilings (G with FK accessory), surface mount at ceiling plane (SM), or cable mount suspension below ceiling plane (CM). For compatibility with specific ceilings contact your representative.

**CERTIFICATION**

All luminaires are built to UL 1598 and 2108 standards, and bear appropriate CSA labels. UL Sanitation Certified per NSF Standards. Damp location label standard, wet location labeling is optional. CSA certified to UL 924 standards with battery pack option. Adheres to LM79, LM80 and TM21 industry standards. IC rating is standard on all models. DLC® (DesignLights Consortium) Qualified, with some Premium Qualified configurations. Please refer to the DLC website for specific product qualifications at [www.designlights.org](http://www.designlights.org).

**WARRANTY**

Five year warranty. (Terms and Conditions Apply)

**ORDERING INFORMATION**

EXAMPLE LJT22-35HLG-FSA12-EU

YOUR ORDER **LJT22 - - -**

LJT		22		-		-	
MODEL	SIZE	COLOR TEMP		LUMEN OUTPUT		CEILING TYPE	DOOR
LJT LED Lensed Troffer	22 2' x 2'	30	3000K	VW	Very Low Watt	G	Grid <sup>1</sup>
		35	3500K	MW	Medium Low Watt	SM	Surface Mount
		40	4000K	LW	Low Watt	CM	Cable Mount <sup>2</sup>
		50	5000K	ML	Medium Lumen		
				HL	High Lumen		
				VL	Very High Lumen		
					See Product Availability Table Below		
						FS	White Flush Steel
						FA	White Flush Aluminum
						RA	Regressed Aluminum

SHIELDING		DRIVER		VOLTAGE		OPTIONS	
A12	Pattern 12 Acrylic Lens	E	Fixed Output	U	120V-277V	ELL14	Emergency Battery Pack Installed, 1400 Lumens <sup>4,5,6</sup>
A12125	Pattern 12 Acrylic Lens, 0.125" Nominal	ED	0-10V Dimming	347	347V	C388	3-Wire Flex
A12F	Pattern 12 Frosted Acrylic Lens	ED1	0-10V 1% Dimming			C488	4-Wire Flex
A12125F	Pattern 12 Frosted Acrylic Lens, 0.125" Nominal	EDD	0-10V Dimming, Dim to Dark			C588	5-Wire Flex
A19	Pattern 19 Acrylic Lens, 0.156" Nominal	ESD	Step Dimming <sup>3,4</sup>			TB4	(4) Bulk T-Bar Clips
A19F	Pattern 19 Frosted Acrylic Lens 0.156"	LUTH	Hi-lume 1% EcoSystem LED driver with Soft-on, Fade-to-Black dimming technology <sup>2,4</sup>			GLR	Fast Blow Fuse
						GTD	Generator Transfer Device <sup>7</sup>
						G1	Single Gasketing (Door to Housing)
						G2	Double Gasketing (G1 and Lens to Door)
						G3	Triple Gasketing (G2 and Housing to Ceiling)
						WL	Wet Location (Select G2 or G3 Gasketing) <sup>9</sup>
						EOR	End of Row (SM and CM only. Provides end wiring access for continuous row mounting.)
						INT	Intermediate (SM and CM only. Provides ends with wiring access for continuous row mounting.)
						CP	Chicago Plenum

ACCESSORIES (ORDER SEPARATELY)	
FK22	2' x 2' Single Flange Kit
CM48Y2SC3F-KIT	48" Cable Mount Kit for 2' wide CM ceiling type, 3-wire Feed Cord

<sup>1</sup> For hard ceilings use flange kit accessory  
<sup>2</sup> Order hanger accessories separately  
<sup>3</sup> Not available in all lumen packages, see driver table below  
<sup>4</sup> Not available with 347V  
<sup>5</sup> Not available with surface or cable mount  
<sup>6</sup> For compatibility with Dual-Lite LiteGear® inverters in lieu of installed battery pack, contact your representative  
<sup>7</sup> GTD available for E (fixed output) driver option only  
<sup>9</sup> FA door and Grid Ceiling only

Damp label—standard  
 IC rating—standard

DRIVER AVAILABILITY TABLE						
	VW	MW	LW	ML	HL	VL
E	X	X	X	X	X	X
ED	X	X	X	X	X	X
ED1	X	X	X	X	X	X
EDD	X	X	X	X	X	X
ESD		X	X	X	X	X
LUTH	X	X	X	X	X	

Product Availability			
Lumen Package	Lumens	Input Watts	LPW
LJT22-50VWG-FSA12-EU	1572	13	120
LJT22-40VWG-FSA12-EU	1443	13	110
LJT22-35VWG-FSA12-EU	1421	13	108
LJT22-30VWG-FSA12-EU	1380	13	105
LJT22-50MWG-FSA12-EU	2130	18	117
LJT22-40MWG-FSA12-EU	1956	18	107
LJT22-35MWG-FSA12-EU	1926	18	106
LJT22-30MWG-FSA12-EU	1870	18	103
LJT22-50LWG-FSA12-EU	2741	24	116
LJT22-40LWG-FSA12-EU	2517	24	106
LJT22-35LWG-FSA12-EU	2479	24	105
LJT22-30LWG-FSA12-EU	2407	24	102
LJT22-50MLG-FSA12-EU	3722	31	119
LJT22-40MLG-FSA12-EU	3419	31	109
LJT22-35MLG-FSA12-EU	3365	31	108
LJT22-30MLG-FSA12-EU	3267	31	104
LJT22-50HLG-FSA12-EU	4074	33	125
LJT22-40HLG-FSA12-EU	3743	33	114
LJT22-35HLG-FSA12-EU	3684	33	113
LJT22-30HLG-FSA12-EU	3577	33	109
LJT22-50VLG-FSA12-EU	4718	42	113
LJT22-40VLG-FSA12-EU	4334	42	104
LJT22-35VLG-FSA12-EU	4265	42	103
LJT22-30VLG-FSA12-EU	4142	42	100

## PHOTOMETRIC DATA

Test 16378 Test Date 06/30/2016

### LUMINAIRE DATA

Luminaire	LJT22-40LWG-FSA12-EU LJT LED, Lensed Troffer 2' X 2' LED with A12 pattern acrylic prism lens
Ballast	XI040C110V054BST1
Ballast Factor	1.00
Lamp	LED
Fixture Lumens	2518
Watts	23.70
Mounting	Recessed
Shielding Angle	0° = 90 90° = 90
Spacing Criterion	0° = 1.14 90° = 1.20
Luminous Opening in feet	Length: 1.92 Width: 1.92 Height: 0.00

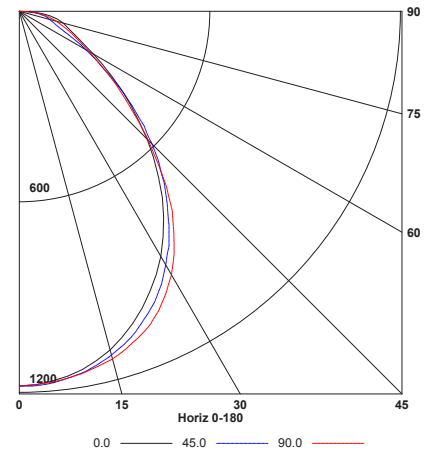
### ENERGY DATA

Total Luminaire Efficiency	100.0%
Total Lumens per Watt	106
ANSI/IESNA RP-1-2004 Compliance	Noncompliant
Comparative Yearly Lighting Energy Cost per 1000 Lumens	\$2.29 based on 3000 hrs. and \$0.08 per KWH

### ZONAL LUMEN SUMMARY

Zone	Lumens	%Lamp	%Fixt.
0-30	889	35.3	35.3
0-40	1401	55.6	55.6
0-60	2157	85.7	85.7
0-90	2518	100.0	100.0
0-180	2518	100.0	100.0

### INDOOR CANDELA PLOT



Test 16381 Test Date 07/13/2016

### LUMINAIRE DATA

Luminaire	LJT22-40MLG-FSA12-EU LJT LED, Lensed Troffer 2' X 2' LED with A12 pattern acrylic prism lens
Ballast	XI040C110V054BST1
Ballast Factor	1.00
Lamp	LED
Fixture Lumens	3419
Watts	31.30
Mounting	Recessed
Shielding Angle	0° = 90 90° = 90
Spacing Criterion	0° = 1.14 90° = 1.20
Luminous Opening in feet	Length: 1.92 Width: 1.92 Height: 0.00

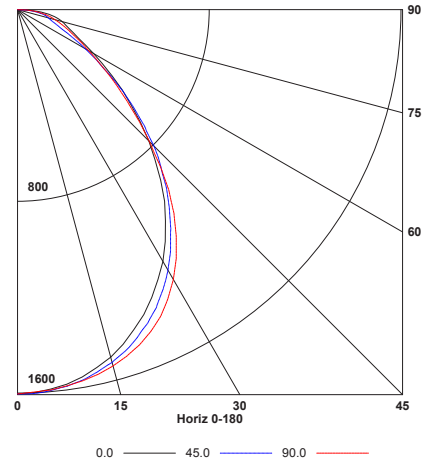
### ENERGY DATA

Total Luminaire Efficiency	100.0%
Total Lumens per Watt	109
ANSI/IESNA RP-1-2004 Compliance	Noncompliant
Comparative Yearly Lighting Energy Cost per 1000 Lumens	\$2.18 based on 3000 hrs. and \$0.08 per KWH

### ZONAL LUMEN SUMMARY

Zone	Lumens	%Lamp	%Fixt.
0-30	1209	35.3	35.3
0-40	1903	55.7	55.7
0-60	2930	85.7	85.7
0-90	3419	100.0	100.0
0-180	3419	100.0	100.0

### INDOOR CANDELA PLOT



Test 16384 Test Date 07/13/2016

### LUMINAIRE DATA

Luminaire	LJT22-40HLG-FSA12-EU LJT LED, Lensed Troffer 2' X 2' LED with A12 pattern acrylic prism lens
Ballast	XI040C110V054BST1
Ballast Factor	1.00
Lamp	LED
Fixture Lumens	3743
Watts	32.70
Mounting	Recessed
Shielding Angle	0° = 90 90° = 90
Spacing Criterion	0° = 1.14 90° = 1.20
Luminous Opening in feet	Length: 1.92 Width: 1.92 Height: 0.00

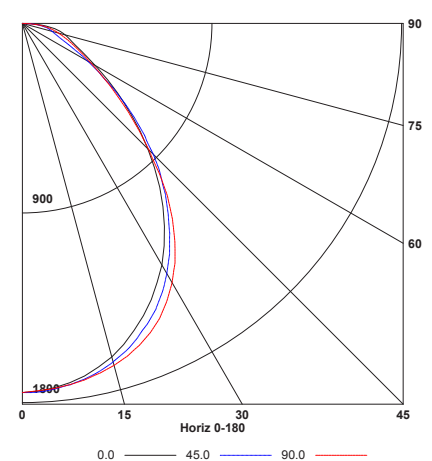
### ENERGY DATA

Total Luminaire Efficiency	100.0%
Total Lumens per Watt	114
ANSI/IESNA RP-1-2004 Compliance	Noncompliant
Comparative Yearly Lighting Energy Cost per 1000 Lumens	\$2.12 based on 3000 hrs. and \$0.08 per KWH

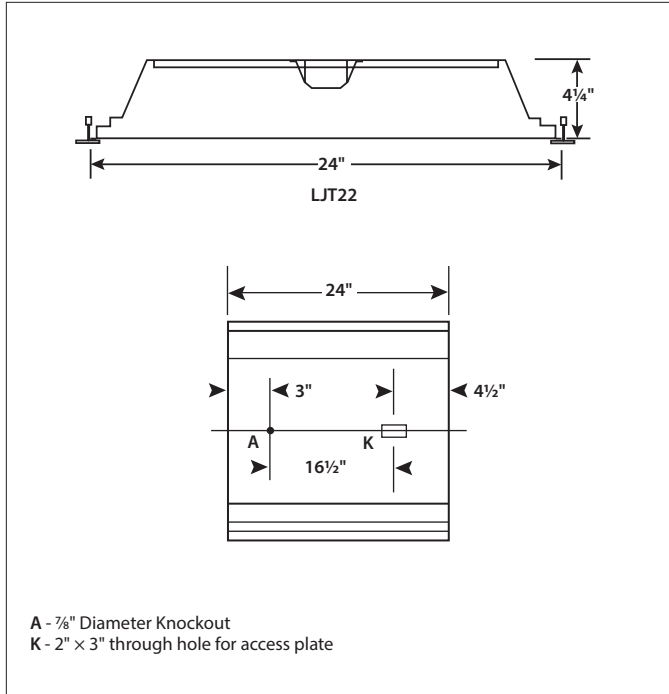
### ZONAL LUMEN SUMMARY

Zone	Lumens	%Lamp	%Fixt.
0-30	1321	35.3	35.3
0-40	2081	55.6	55.6
0-60	3206	85.7	85.7
0-90	3743	100.0	100.0
0-180	3743	100.0	100.0

### INDOOR CANDELA PLOT

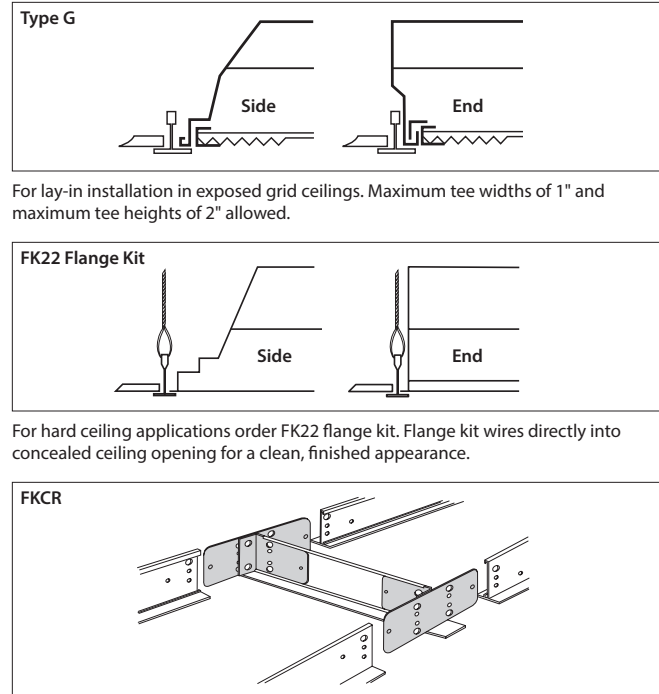


**DIMENSIONAL DATA**



**NOTE:** All dimensions are in inches; dimensions and specifications are subject to change without notice. Please consult factory or check sample for verification.

**CEILING COMPATIBILITY**



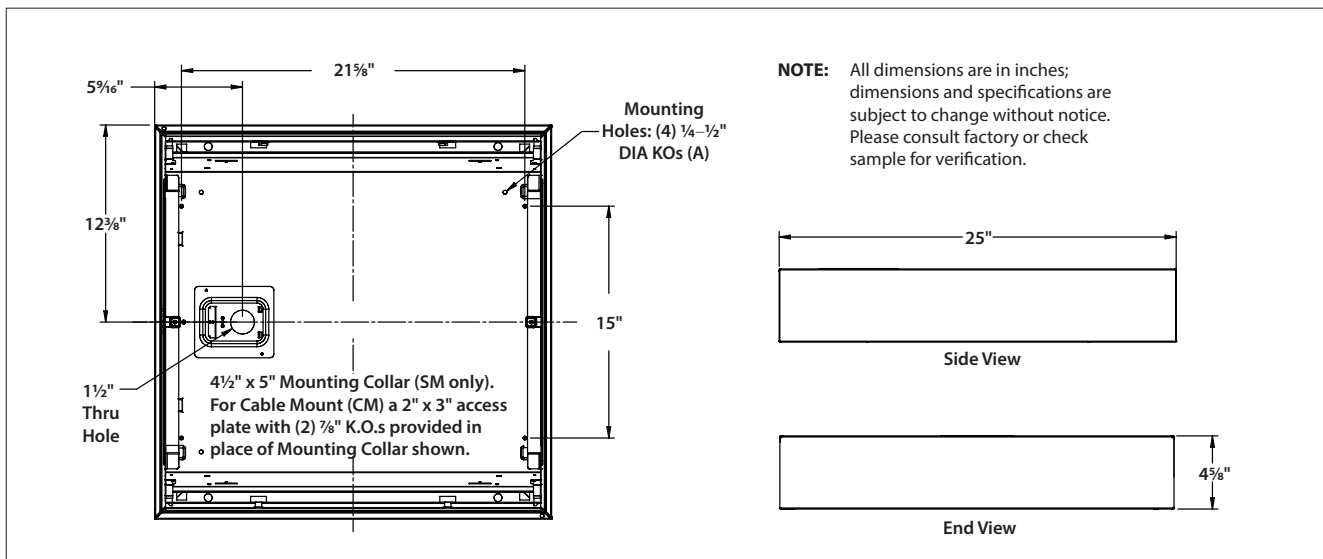
For lay-in installation in exposed grid ceilings. Maximum tee widths of 1" and maximum tee heights of 2" allowed.

For hard ceiling applications order FK22 flange kit. Flange kit wires directly into concealed ceiling opening for a clean, finished appearance.

For flanged fixtures in row configurations, the FKCR adapter bracket kit is required in addition to the FK22 kit. Order one less FKCR than the total number of fixtures in row. (Example: Row of two, order (2) FK22 & (1) FKCR)

Row cut out dimensions using FK22 & FKCR adapters:  
Width 24 3/8", Length [24" x (# in row)] + 3/4". Example: (24" x 2) + 3/8" = 48 3/8"  
Flange kit rough in dimensions for single unit only: 24 3/8" x 24 3/8"

**DIMENSIONAL DATA - SURFACE MOUNT (SM) OR CABLE MOUNT (CM)**



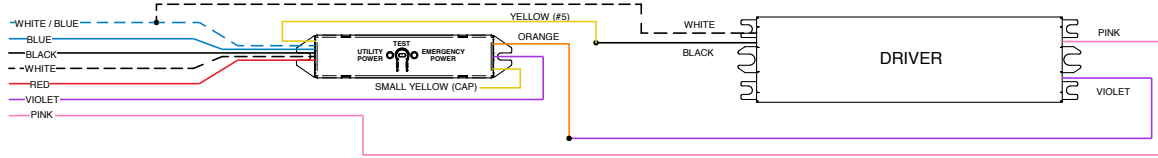
**SURFACE MOUNT**

Order SM ceiling type. Mounting collar required for surface mounting. (4) Mounting knock-outs, 1/4" to 1/2" provided as shown, marked "A".

**CABLE MOUNT**

Order CM ceiling type. Access plate supplied for cable mounting or suspension. Use CM48Y2C3F-KIT 48" cable mount kit. Includes 3 wire feed cord. For other wiring needs, contact representative. Mounting knock-outs, 1/4" to 1/2" provided as shown, marked "A".

**DTS WIRING DIAGRAM (0-10V DIMMING DRIVER SHOWN)**



WHITE/BLUE	Emergency Neutral
BLUE	Emergency Line
BLACK	Utility Line (Unswitched Hot)
WHITE	Utility Neutral
RED	Switched Hot
VIOLET	Dimming
PINK	Dimming