



createchange



FEATURES

- Enclosed high efficiency lens features linear prism acrylic and provides visual comfort and high performance without pixelation
- Appropriate for schools, medical facilities, dining areas, locker rooms, and public spaces
- Enclosed lens protects against intrusion of contaminants
- High performance matte white paint standard
- Optional Antimicrobial® paint (AM option) resists bacterial growth on exposed painted surfaces.
- Lens gasket option and wet location listing available
- 60,000 hour LEDs at L80 for reduced life cycle maintenance costs
- Four LED color choices with excellent color consistency and 82 CRI
- Controls compatible for code compliance and energy savings
- Low W/ft² ratio typically meets most restrictive lighting power density codes
- Fixed output, step dimming, or 0-10V dimming drivers
- Electrical components accessible from below the ceiling with modular replaceability
- DLC® (DesignLights Consortium) Qualified - see www.designlights.org
- Five year warranty

PROJECT INFORMATION

Project Name _____

Type _____

Catalog No. _____

Date _____

CONSTRUCTION

Luminaire housing and end caps are die formed code gauge cold rolled steel. Reflector is stiffened with linear forms, profiled to a precision curve. High transmission extruded acrylic enclosed lens features linear prisms custom frost for high efficacy without pixelation.

SHIELDING

Thermoplastic light seals snap into the housing at both ends of the lens to prevent light leaks. Lens hinges down for easy access to LED module and electrical components. Optional gasketing available to surround the lamp cavity (standard when Wet Location option is ordered; see footnotes).

FINISH

All reflective surfaces are finished after fabrication with unique formula high reflectivity matte white paint for soft, uniform indirect illumination. Optional Antimicrobial® paint (AM option) resists bacterial growth on exposed painted surfaces.

INSTALLATION

An access plate is furnished with each luminaire for fast wiring access without the necessity to open the fixture or wireway.

CEILING COMPATIBILITY

Luminaire fits recessed exposed Grid ceilings (G); four integral NEC compliant T-bar clips are standard. Can be placed in Slot Grid (SG) style ceiling with regress 3/8" above ceiling plane. A Flange Kit (FK) accessory is available for recessed hard ceiling applications. Surface Mount (SM) option allows placement below ceiling plane. Cable Mount (CM) option allows suspension below ceiling plane.

CERTIFICATION

All luminaires are built to UL 1598 and 2108 standards, and bear appropriate CSA labels. IC Label standard. Damp location label standard. Wet location listing available on grid lay-in ceiling type. Emergency-equipped fixtures are Dry Location unless specified. CSA certified to UL 924 standards with battery pack or DTS (Dimming Bypass Module) options. Adheres to LM79, LM80, and TM21 industry standards. DLC® (DesignLights Consortium) Qualified. Please refer to the DLC website for specific product qualifications at www.designlights.org. The DTS, Dimming Bypass Module, is for emergency circuit control loads including sensors and wireless systems CSA certified to UL 924. See page 4 for wiring diagram.

WARRANTY

Five year warranty (Terms and Conditions apply).

ORDERING INFORMATION

EXAMPLE LTRE22-35HLG-RFA-ESDU

LTRE		22				RFA		U		
MODEL	COLOR TEMP	CEILING TYPE	SHIELDING	VOLTAGE	OPTIONS	SIZE	LUMEN OUTPUT	DRIVER		
LTRE Transition® Enclosed LED Deep Architectural Center Lens	30 3000K 35 3500K 40 4000K 50 5000K	G Grid Lay-in ¹ SM Surface Mount CM Cable Mount ²	RFA Ribbed Frosted Acrylic	U 120V-277V	ELL14 Emergency Battery Pack Installed, 1400 Lumens ^{3,4} GLR Fast Blow Fuse GTD Generator Transfer Device ⁵ DTS Dimming Bypass Module ⁶ C388 3-Wire Flex C488 4-Wire Flex C588 5-Wire Flex AM Antimicrobial® Paint ⁷ G1 Lens Gasketing WL Wet Location ⁴ EOR End of Row (SM and CM only. Provides end wiring access for continuous row mounting.) INT Intermediate (SM and CM only. Provides ends with wiring access for continuous row mounting.) CP Chicago Plenum	22 2' x 2'	ML Medium Lumen HL High Lumen VL Very High Lumen	E Fixed Output ED 0-10V Dimming ED1 0-10V Dimming up to 1% ESD Step Dimming		
ACCESSORIES (ORDER SEPARATELY)		PRODUCT AVAILABILITY								
FK22 2' x 2' Single Flange Kit (Shipped separately)		SIZE	LUMEN PACKAGE	NOMINAL LUMENS	NOMINAL WATTS	LUMENS PER WATT				
CM48Y25C3F-KIT 48" Cable Mount Kit for 2' wide Cable Mount fixtures, 3 Wire		22	ML	2975-3100	30	100-104				
		22	HL	3625-3875	36	101-108				
		22	VL	4275-4925	44	98-112				

Nominal lumen range represents 3000K through 5000K. Lumens will vary according to color temperatures and other factors. See specific photometric tests(s)

¹ For drywall order FK22 accessories separately.

² Order hanger accessories separately.

³ For compatibility with Dual-Lite LiteGear® inverters in lieu of installed battery pack, contact representative.

⁴ Not available on Surface Mount or Cable Mount ceiling types

⁵ GTD available for E (fixed output) driver option only

⁶ For emergency circuit control loads including sensors and wireless systems CSA certified to UL 924. Only available with 0-10V drivers. See page 4 for wiring diagram

⁷ Optional Antimicrobial® paint (AM option) resists bacterial growth on exposed painted surfaces

Test L091401901 Test Date 9/15/2014

PHOTOMETRIC DATA

LUMINAIRE DATA

Luminaire	LTRE22-35MLG-RFA-EDU LTRE Transition® Enclosed LED Deep Architectural Center Lens 2 x 2 led with frosted linear prism lens
Ballast	VD EVERLINE D10CC55UNVT-C
Ballast Factor	1.00
Lamp	LED
Fixture Lumens	2988
Watts	29.23
Mounting	Recessed
Shielding Angle	0° = 90 90° = 90
Spacing Criterion	0° = 1.17 90° = 1.30
Luminous Opening in Feet	Length: 1.93 Width: 1.93 Height: 0.00

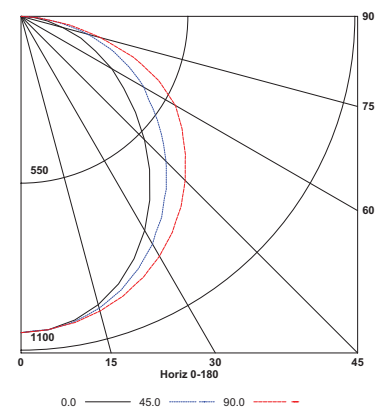
ZONAL LUMEN SUMMARY

Zone	Lumens	% Lamp	% Fixt.
0-30	803	26.9	26.9
0-40	1308	43.8	43.8
0-60	2307	77.2	77.2
0-90	2988	100.0	100.0
0-180	2988	100.0	100.0

ENERGY DATA

Total Luminaire Efficiency	100.0%
Total Lumens per Watt	102
IESNA RP-1-1993 Compliance	Non-Compliant
Comparative Yearly Lighting Energy Cost per 1000 Lumens	\$2.33 based on 3000 hrs. and \$0.08 per KWH

INDOOR CANDELA PLOT



Test L081406001 Test Date 8/21/2014

LUMINAIRE DATA

Luminaire	LTRE22-35HLG-RFA-EDU LTRE Transition® Enclosed LED Deep Architectural Center Lens 2 x 2 led with frosted linear prism lens
Ballast	EVERLINE D15CC55UNVT-C
Ballast Factor	1.00
Lamp	LED
Fixture Lumens	3640
Watts	36.17
Mounting	Recessed
Shielding Angle	0° = 90 90° = 90
Spacing Criterion	0° = 1.16 90° = 1.29
Luminous Opening in Feet	Length: 1.93 Width: 1.93 Height: 0.00

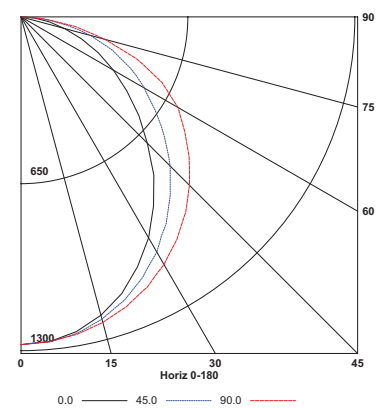
ZONAL LUMEN SUMMARY

Zone	Lumens	% Lamp	% Fixt.
0-30	982	27.0	27.0
0-40	1597	43.9	43.9
0-60	2805	77.1	77.1
0-90	3640	100.0	100.0
0-180	3640	100.0	100.0

ENERGY DATA

Total Luminaire Efficiency	100.0%
Total Lumens per Watt	101
IESNA RP-1-1993 Compliance	Non-Compliant
Comparative Yearly Lighting Energy Cost per 1000 Lumens	\$2.38 based on 3000 hrs. and \$0.08 per KWH

INDOOR CANDELA PLOT



Test L071409403R01 Test Date 8/11/2014

LUMINAIRE DATA

Luminaire	LTRE22-35VLG-RFA-EDU LTRE Transition® Enclosed LED Deep Architectural Center Lens 2 x 2 led with frosted linear prism lens
Ballast	D15CC55UNVT-C
Ballast Factor	1.00
Lamp	LED
Fixture Lumens	4278
Watts	43.80
Mounting	Recessed
Shielding Angle	0° = 90 90° = 90
Spacing Criterion	0° = 1.16 90° = 1.30
Luminous Opening in Feet	Length: 1.93 Width: 1.93 Height: 0.00

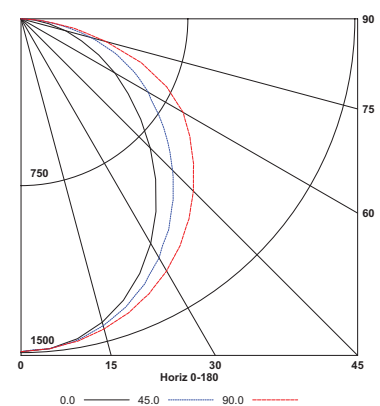
ZONAL LUMEN SUMMARY

Zone	Lumens	% Lamp	% Fixt.
0-30	1152	26.9	26.9
0-40	1875	43.8	43.8
0-60	3300	77.1	77.1
0-90	4278	100.0	100.0
0-180	4278	100.0	100.0

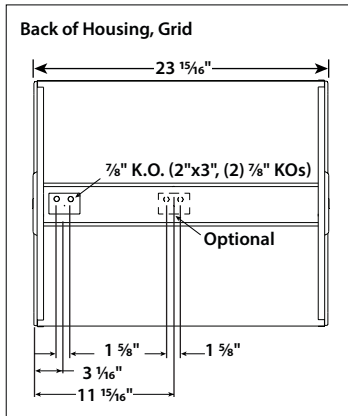
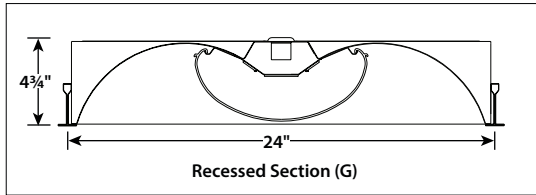
ENERGY DATA

Total Luminaire Efficiency	100.0%
Total Lumens per Watt	98
IESNA RP-1-1993 Compliance	Non-Compliant
Comparative Yearly Lighting Energy Cost per 1000 Lumens	\$2.47 based on 3000 hrs. and \$0.08 per KWH

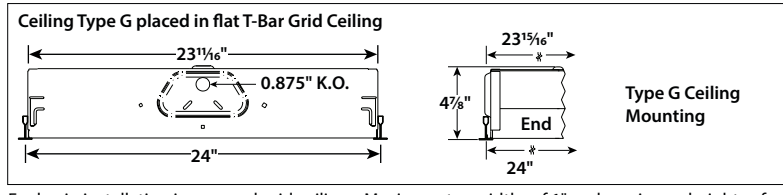
INDOOR CANDELA PLOT



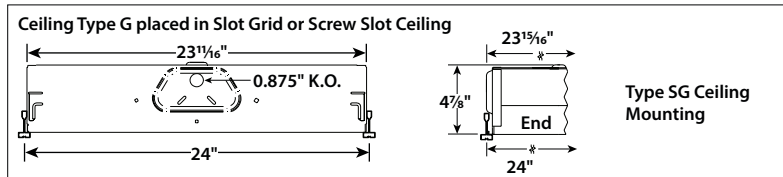
DIMENSIONAL DATA — GRID



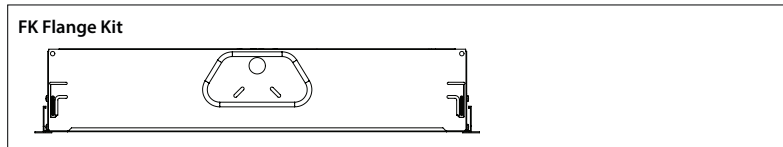
CEILING COMPATIBILITY



For lay-in installation in exposed grid ceilings. Maximum tee widths of 1" and maximum heights of 1 1/2" allowed.



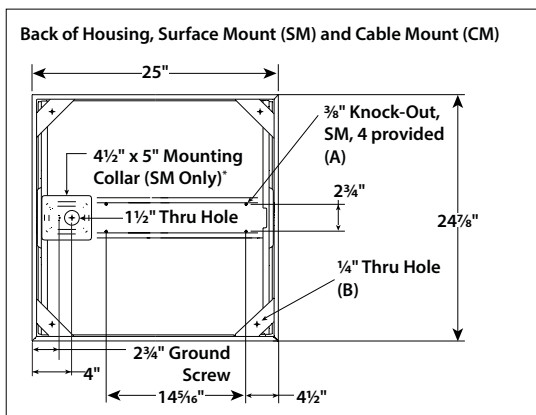
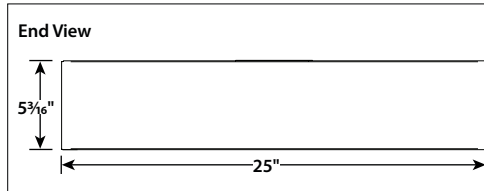
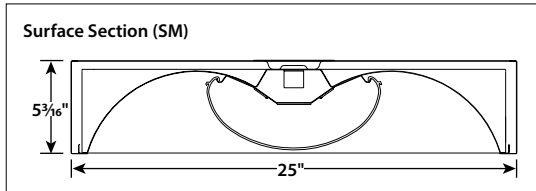
For 3/8" slot grid type ceilings. Luminaire will be regressed 3/8" above horizontal surface of the tee.



For hard ceiling applications, fixtures must be ordered with a flange kit that wires directly into the concealed ceiling opening for a clean finished appearance. For row configurations contact your local Columbia Representative.

Flange kit cut out dimension for single FK22: 24 3/8" x 24 3/8"

DIMENSIONAL DATA — SURFACE MOUNT & CABLE MOUNT



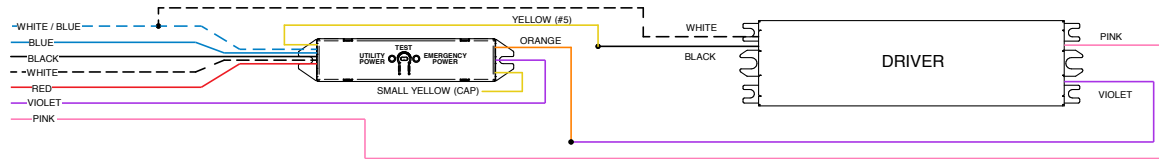
Surface Mount:
Order SM ceiling type. Mounting collar required for surface mounting. (4) Mounting knock-outs, 3/8", provided in center channel as indicated at left, marked (A).

Cable Mount:
Order CM ceiling type. Use CM48Y2SC3F-KIT 48" Cable Mount Kit for 2' wide CM fixtures. Mounting holes are provided in diagonal straps shown at left, marked (B).

* For Cable Mount a 2" x 3" access plate with (4) 7/8" KOs provided in place of Mounting Collar shown.

NOTE: All dimensions are in inches; dimensions and specifications are subject to change without notice. Please consult factory or check sample for verification.

DTS WIRING DIAGRAM (0-10V DIMMING DRIVER SHOWN)



WHITE/BLUE	Emergency Neutral
BLUE	Emergency Line
BLACK	Utility Line (Unswitched Hot)
WHITE	Utility Neutral
RED	Switched Hot
VIOLET	Dimming
PINK	Dimming