

DATE:	LOCATION:
TYPE:	PROJECT:
CATALOG #:	

FEATURES

- Parking garage luminaire with internal reflector directing light into parking bays
- Available in 2', 4', or 8' lengths
- IP65, IP67 all models, and IP66 all models with standard polyacetal (POM) latches
- Standard ambient -20°C to +50 °C (See table for maximum rating)
- Fiberglass housing with F1 weatherability rating, standard
- Impact modified acrylic lens equivalent to 100% DR
- Lens firmly secured with captive tamper resistance ready polyacetal (POM) latches



SPECIFICATIONS

CONSTRUCTION

- UL 5VA fiberglass housing
- F1 weatherability rating, suitable for indoor or outdoor use with respect to exposure to UV light
- Pour-in-place non-porous gasketing assures seal
- Removable heat sinked gear tray
- 14 Latches per 8'; 8 per 4'; 6 per 2'
- Latches are provided tamper resistance ready; tamper resistant screws by others
- Latches are standard polyacetal (POM), optional in stainless steel
- Access openings are provided for electrical connection
- White painted parts are treated with a five-stage phosphate bonding process and finished with high reflectance baked enamel

OPTICS

- Deep frosted acrylic lens (DFA) impact modified equivalent to 100% DR; modification adds flexibility to reduce impact breakage compared to standard acrylic formulations.
- Clear lens (DCA) optional

INSTALLATION

- Use flexible conduit only

ELECTRICAL

- Long life 60,000 hour LEDs at L80 for reduced maintenance
- Driver options include fixed output for on/off function, step dimming (high/low/off) or or continuous 0–10V dimming
- QR code label affixed to housing for easy traceability

CERTIFICATIONS

- All luminaires are built to UL 1598 and 2108 standards, and bear appropriate cCSAus labels
- CSA certified to UL 924 standards with battery pack or DTS (Dimming Bypass Module) options
- Wet Location label standard
- UL Sanitation certified to NSF standards
- Ingress protection IP65 and IP67 standard; IP66 on certain models
- Adheres to LM70, LM80, and TM21 industry standards

CERTIFICATIONS (CONTINUED)

- DLC® (DesignLights Consortium) Qualified. Please refer to the DLC website for specific product qualifications at www.designlights.org
- The DTS, Dimming Bypass Module, is for emergency circuit control loads including sensors and wireless systems CSA certified to UL 924. See page 3 for wiring diagram.

WARRANTY

- 5 year warranty

KEY DATA	
Lumen Range	2960–19,700
Wattage Range	27–204
Efficacy Range (LPW)	87–116
Reported Life (Hours)	L80/60,000

ORDERING GUIDE

Example: LXEP4-35HL-DFA-EDU

CATALOG #

LXEP								U	
Model	Size	Color Temp	Delivered Lumens		Shielding		Driver		Voltage
LXEP	2 2' ¹	30 3000K	VW 4' (2900-3100)	HL 2' (4450-4900)	DFA	Deep Frosted Acrylic	E	Fixed Output	U 120-277V
Parking Garage Enclosed and Gasketed LED	4 4'	35 3500K	8' (5800-6200)	4' (5300-5850)			ED	0-10V Dimming	
	6 6'	40 4000K	LW 2' (2960-3225)	VL 4' (6750-7450)	DCA	Deep Clear Acrylic	ED1	0-10V 1% Dimming	
		50 5000K	4' (3700-4100)	8' (13500-14900)			ESD	Step Dimming	
			8' (7400-8200)						
			ML 2' (3950-4350)	XL 4' (8950-9850)					
			4' (4450-4900)	8' (17900-19700) ¹					
			8' (8900-9800)						

Options	
ELL14	Emergency Battery Pack Installed, 1400 Lumens (0°C minimum operating temp) ²
GLR	Fast Blow Fuse
DTS	Dimming Bypass Module ^{3,4}
SSL	Stainless Steel Tamper Resistance Ready Latches
TP	Tamper Proof Latches
F3C8W	3-wire 8' Wet Cord
F3C15W	3-wire 15' Wet Cord
SWH	Single Wet Hub ½" NPT Hub
DWH	Dual Wet Hub ½" NPT Hub
ZRE	ControlScope® compatible ^{4,5}

- Notes:
- 1 Not available with battery pack
 - 2 Not available with XL lumen package
 - 3 For emergency circuit control loads including sensors and wireless systems listed to UL 924. See page 3 for wiring diagram
 - 4 Only available with 0-10V drivers
 - 5 Registered trademark of Daintree Networks, used by permission
 - 6 Two required for 8' fixture

Accessories	
<input type="checkbox"/> XEDPM	Dual Pendant Brackets (pendant by others)
<input type="checkbox"/> XEHC	Chain Hanger Kit (Includes 14" Chain)
<input type="checkbox"/> XE45MB	45° Mounting Bracket ⁶
<input type="checkbox"/> XE45MBSS	45° Stainless Steel Mounting Bracket

Sensor kits (Order Separately)					
All sensor kits include On/Off Occupancy & Daylight.					
Daylight activation requires setting of dip-switches on site.					
	Catalog #	# Relays	Lens Type	Voltage	Wet Label
120V/277V	<input type="checkbox"/> OS1360WLK	1	360°	120/277	Yes
	<input type="checkbox"/> OS2360WLK	2	360°	120/277	Yes
	<input type="checkbox"/> OS1AWLK	1	Aisle	120/277	Yes
	<input type="checkbox"/> OS2AWLK	2	Aisle	120/277	Yes

PRODUCT EXCEPTIONS & DETAILS

Options listed below are available for the outputs as shown.

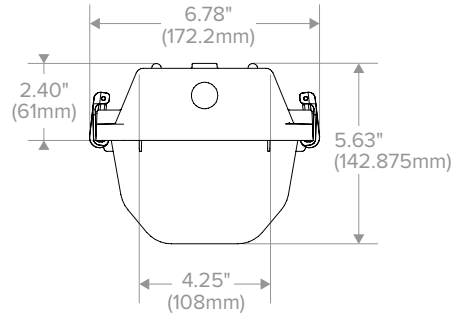
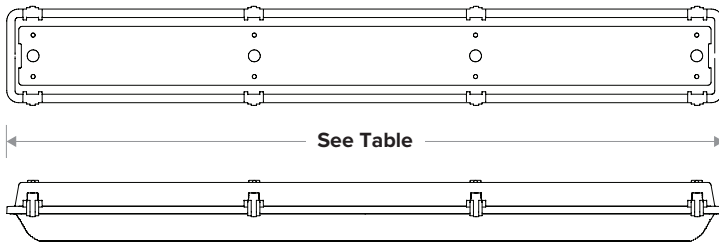
DRIVER AVAILABILITY TABLE						
Length	Output	Nominal Lumen Range	Nominal Watts	Lumens/Watt Range	Max Temp, HT Option	Max Temp, ELL14
2'	LW	2960-3225	33	90-98	40°C	(N/A)
	ML	3950-4350	43	92-101	40°C	(N/A)
	HL	4450-4900	51	87-96	25°C	(N/A)
4'	VW	2900-3100	27	108-116	50C	40C
	LW	3700-4100	36	103-114	50°C	40°C
	ML	4450-4900	47	95-104	50°C	40°C
	HL	5300-5850	52	102-113	45°C	25°C
	VL	6750-7450	68	99-110	40°C	25°C
	XL	8950-9850	102	88-97	25°C	N/A
8'	VW	5800-6200	54	108-116	50C	40C
	LW	7400-8200	72	103-114	50°C	40°C
	ML	8900-9800	94	95-104	50°C	40°C
	HL	10600-11700	104	102-113	45°C	25°C
	VL	13500-14900	136	99-110	40°C	25°C
	XL	17900-19700	204	88-97	25°C	N/A

Lumens vary according to color temperatures and other factors. See specific photometric test(s).

LXEP

PARKING GARAGE ENCLOSED AND GASKETED

DIMENSIONS



LXEP LENGTH DIMENSIONS	
Nominal Size	Length
2'	27 2/3"
4'	51 2/3"
8'	100"

NOTE: All dimensions are in inches; dimensions and specifications are subject to change without notice. Please consult factory or check sample for verification.

PHOTOMETRY

LXEP4-50ML-DFA-EDU

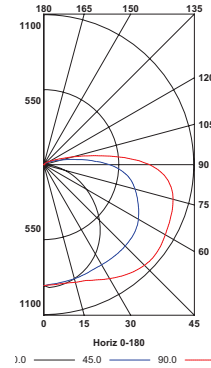
LUMINAIRE DATA

Test No.	23280
Description	LXEP LED Enclosed and Gasketed, Industrial 6.75" x 52" LED with deep frosted acrylic lens
Delivered Lumens	5118
Watts	41.80
Efficacy	122
Mounting	Surface
Spacing Criterion	0° = 1.26 90° = 1.73

ZONAL LUMEN SUMMARY

Zone	Lumens	% Luminaire
0-30	728	14.2
0-40	1260	24.6
0-60	2595	50.7
0-90	4542	88.7
0-180	5118	100.0

POLAR GRAPH



ADDITIONAL INFORMATION

DTS WIRING DIAGRAM (0-10V DIMMING DRIVER SHOWN)

