

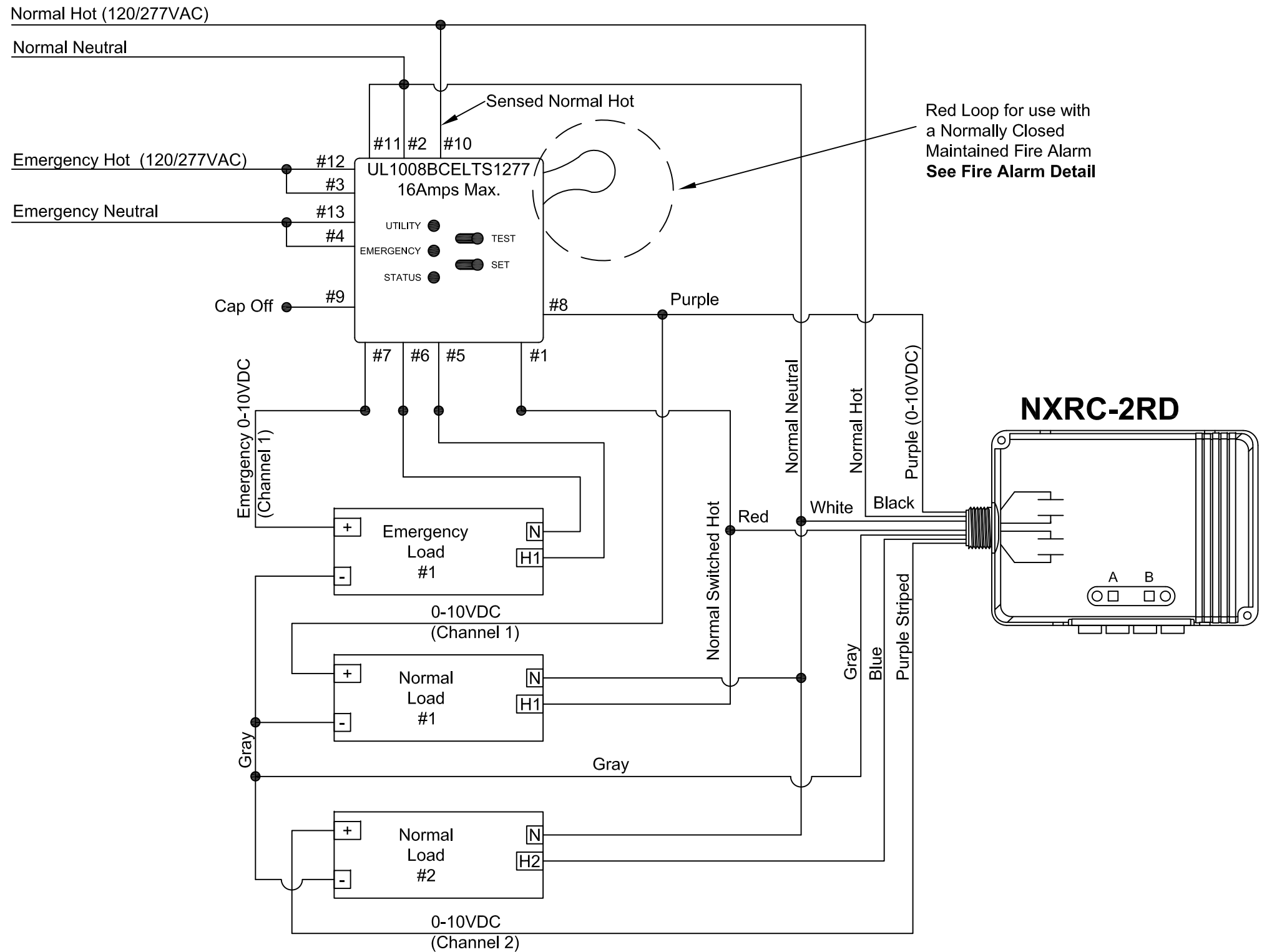
Fire Alarm Detail:

1. The Fire Alarm Jumper is intended to simulate loss of normal power when in the open state.
2. If the Fire Alarm Jumper is uncut the UL1008 connected devices perform normal function.
3. If the Fire Alarm Jumper is cut and no test switch is present the UL1008 will remain in the ON state until the Red loop circuit is complete.

UL1008BCELTS1277 WIRE COLORS			
LABEL	COLOR	GAUGE	FUNCTION
#1	ORANGE	12AWG	NORMAL SWITCHED HOT
#2	WHITE	12AWG	NORMAL NEUTRAL
#3	BLUE	12AWG	EM UNSWITCHED HOT
#4	WHITE/BLUE	12AWG	EM UNSWITCHED NEUTRAL
#5	RED	12AWG	TO EM LOAD HOT
#6	WHITE/RED	12AWG	TO EM LOAD NEUTRAL
#7	PURPLE	16AWG	TO EM + (0-10VDC)
#8	BROWN	16AWG	NORMAL + (0-10VDC)
#9	YELLOW	18AWG	CAP
#10	BLACK	18AWG	NORMAL SENSE (UNSWITCHED)
#11	WHITE	18AWG	NORMAL NEUTRAL
#12	BLUE	18AWG	EM UNSWITCHED HOT
#13	WHITE/BLUE	18AWG	EM UNSWITCHED NEUTRAL
NOT LABELED	RED LOOP	20AWG	FIRE ALARM JUMPER

NOTE:

1. When normal power is available the normal and emergency loads will behave identical and will be controlled by the NX room controller.
2. When normal power is lost, the normal lighting load will turn off.
 - 2.1. The emergency lighting load will turn on.
 - 2.2. The emergency lighting load will go to full dimmed output.
3. When normal power is re-established the lighting load behavior will return based the programming of the NX room controller.



TITLE: UL1008BCELTS1277 with a NXRC-2RD		Split Controlled	
 HUBBELL Control Solutions	THIS DOCUMENT AND SPECIFICATIONS DESCRIBED WITHIN ARE THE EXCLUSIVE PROPERTY OF HUBBELL CONTROL SOLUTIONS ISSUED IN THE STRICTEST CONFIDENCE, AND SHALL NOT BE REPRODUCED, COPIED OR USED WITHOUT PRIOR WRITTEN PERMISSION.		DRAWN BY: AJ DATE: 11/20/19
	701 Millennium Blvd. Greenville, SC 29607 www.Hubbell-Automation.com	Main Switchboard: (864) 678-1000 Technical Service: (800) 888-8006	HCS