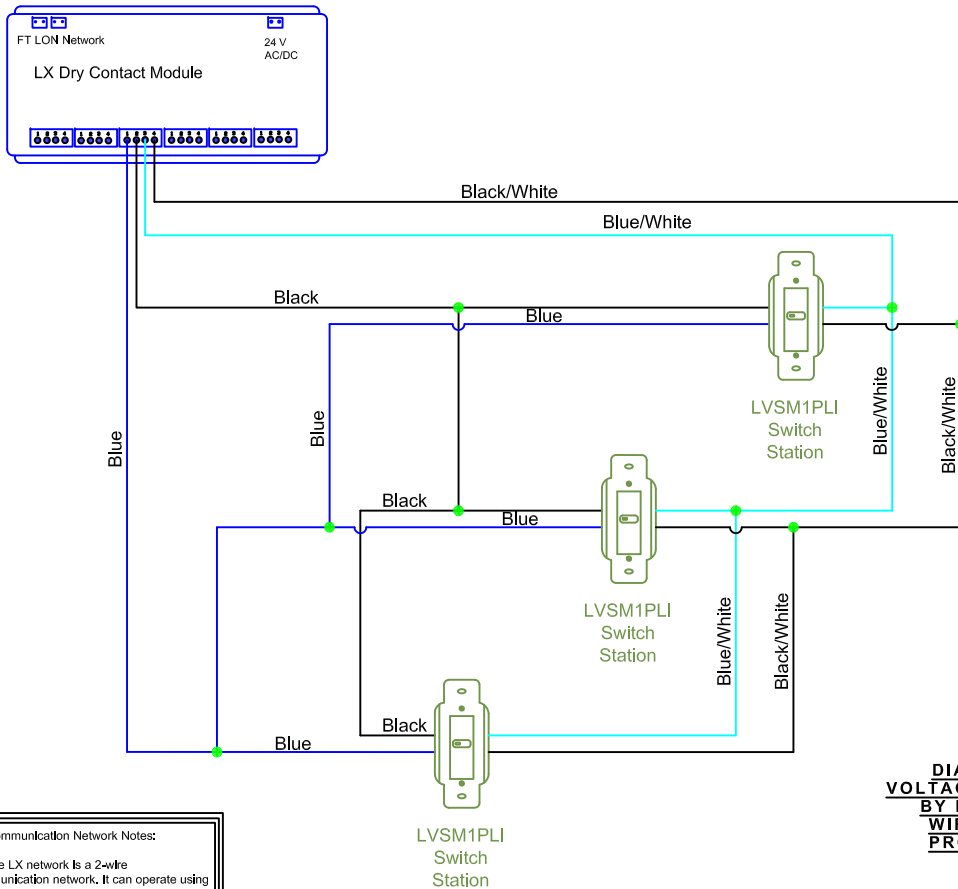
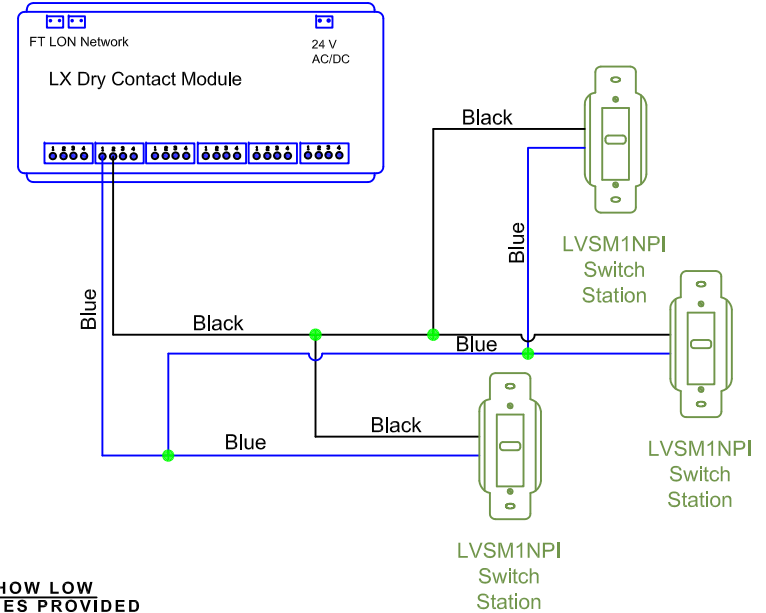


### All Network Segments

Note: Each network segment shall not exceed 56 devices (panels, switches, sensors) or 1,500 ft of wire. The quantity of panels, switches, and sensors shown is to illustrate conceptual wiring scheme only. The actual connection and number of devices will be determined by actual locations on the plans.



**TYPICAL WIRING USING A LOW VOLTAGE SWITCH WITH A PILOT LIGHT**



**DIAGRAMS SHOW LOW VOLTAGE SWITCHES PROVIDED BY HBA. PLEASE VERIFY WIRING FOR SWITCHES PROVIDED BY OTHERS.**

**TYPICAL WIRING USING A LOW VOLTAGE SWITCH WITHOUT PILOT LIGHT**

**LX Communication Network Notes:**

1. The LX network is a 2-wire communication network. It can operate using any topology (layout) or combination of topologies including Star and T-configurations.
2. Network cable shall be Belden 8471 or Windy City Wire 104500 and nothing else. Maximum total wire length per network segment (without requiring the use of the LX Router/Repeater Module, p/n LXRRM) shall not exceed 1,500 feet. Up to 56 devices can be supported per network segment.
3. Additional Link Power Modules (LXLP2) will be needed if the network exceeds 1,500 feet per network segment, or 56 devices per network segment. When multiple Link Powered Modules (LXLP2) are used, they must have a LX Router/Repeater Module (LXRRM) between them.
4. All network wiring must be routed through the top of the lighting control panel enclosure to the low voltage section of the interior.
5. Do not use shielded cable.

LXDCIM with Low Voltage Switches with and without Pilot Lights



Building Automation, Inc.